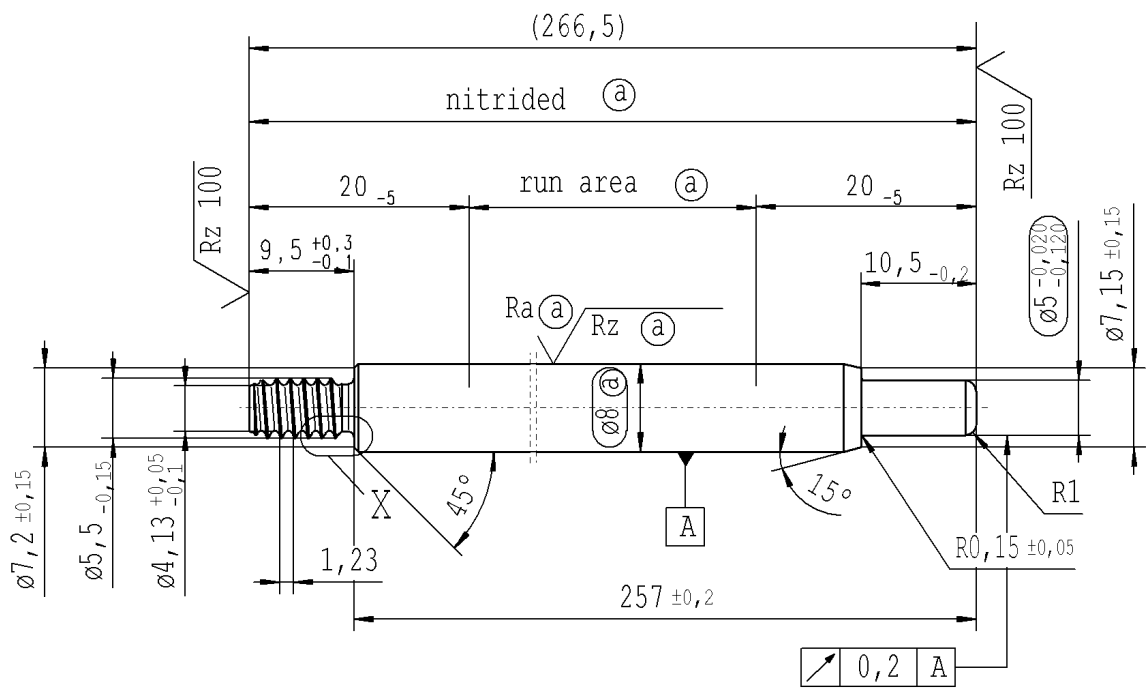


The print-out is not subject to the modification service.

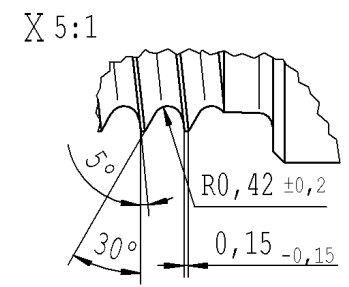
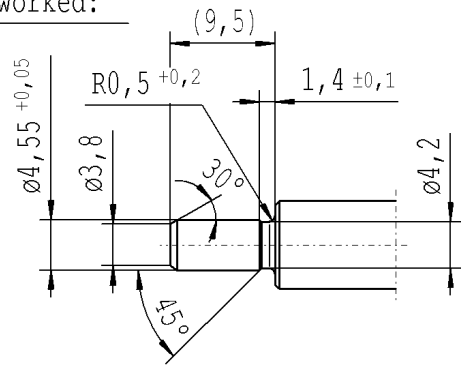
Intended for internal and supplier use

EN

Ⓐ piston rod processing per STAB-Spec. 10028959, table 1



pre-worked:



**RELEASE**  
 for supplier  
 company Zhang Shi  
 12.06.2015 Schilz A.  
 (date / signature)

$\sqrt{Rz\ 25}$  ( $\sqrt{Rz\ 100}$   $\sqrt{Ra\ \text{Ⓐ}}$   $\sqrt{Rz\ \text{Ⓐ}}$ )  $\sqrt{+0,2}$   $\sqrt{-0,2}$

AIAG CQI-standards acc. to STAB-Spec. 10027692

Environmental protection acc. to STAB-Spec. 10005649

Ident. Doc.: L13

DE: X	EN: X	ES:	IT:	PR:	FR:	RO:	CAD created document; handwritten changes not permitted		
new	INITIAL RELEASE	hardness	9,5 <sup>+0,3</sup> <sub>-0,1</sub>	0,15	R0,42±0,2	run area	R1		
old	-	-	9,5±0,1	0,38	R1,26	hardness	0,5x45°		
Field	-	E2-6	B/C2-3	E 4/5	D-E/2-3				
Date/Name	13.12.2007 Höfer	28.02.2008 Donat	23.7.10 Keßelh.	11.06.2015 Hein					
Chg. No.	-	564069	581803	624058					
Rev.	0	1	2	3					

Material:	1.1193 S45C JISG 4051
Edge tolerances acc. to DIN ISO 13715	
Surface finish	DIN EN ISO 1302
Replaces:	
<b>STABILUS</b>	

All dimensions are in mm	Identification of important characteristics	Date	Name
Scale: (Original DIN A3) 2:1	Dimensions without tolerances DIN ISO 2768-mK	13.12.2007	Höfer
We reserve all rights to this document, to any patents or patent registrations related hereto, and to the duplication, retransmission by third parties and misc. use. Any use of this document is not permitted without the written consent of STABILUS.		Checked	11.06.2015 Klinkner
		Document No.:	10151066
		Material No.:	005644

PISTON ROD