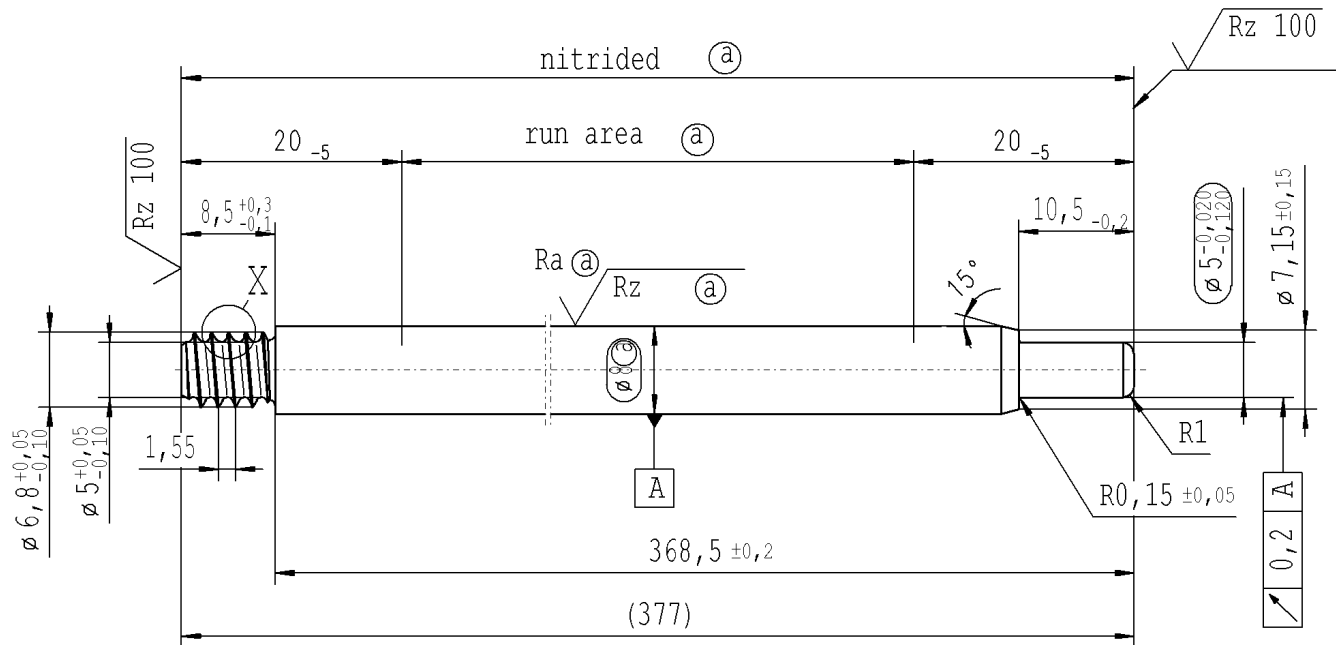


The print-out is not subject to the modification service.

Intended for internal and supplier use

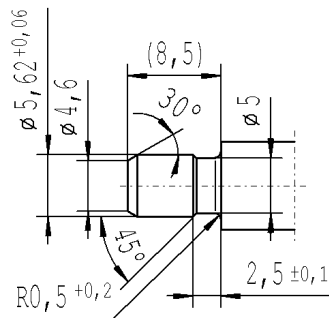
EN

Ⓐ piston rod processing per STAB-Spec. 10028959, table 1

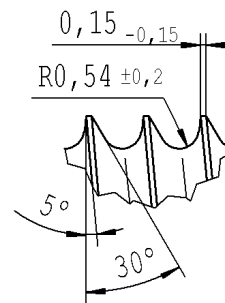


RELEASE
 for supplier
 company Zhang Shi
 16.07.2015 Schilz A.
 (date / signature)

pre-worked:



X 5:1



$\sqrt{Rz\ 25}$ ($\sqrt{Rz\ 100}$ $Ra\ \text{Ⓐ}$ $Rz\ \text{Ⓐ}$) $\swarrow +0,2$ $\searrow -0,2$

AIAG CQI-standards acc. to STAB-Spec. 10027692

Environmental protection acc. to STAB-Spec. 10005649

| | | | | | | | |
|-----------|-----------------|-----|-----------------|-----|-----|-----|---|
| DE: X | EN: X | ES: | IT: | PR: | FR: | RO: | CAD created document; handwritten changes not permitted |
| new | INITIAL RELEASE | | R1 | | | | |
| old | - | | 0,5x45° | | | | |
| Field | - | | E/2 | | | | |
| Date/Name | 18.01.2013 Kron | | 15.07.2015 Hein | | | | |
| Chg. No. | 601611 | | 624057 | | | | |
| Rev. | 0 | | 1 | | | | |

| | |
|---------------------------------------|--------------------------|
| Material: | 1.1193 S45C JISG 4051 |
| Edge tolerances acc. to DIN ISO 13715 | |
| Surface finish | DIN EN ISO 1302 |
| Replaces: | |
| STABILUS | |

| | | | | |
|--|---|---------------|------------|----------|
| All dimensions are in mm | Identification of important characteristics | Drawn by | Date | Name |
| Scale: (Original DIN A3) 2:1 | Dimensions without tolerances DIN ISO 2768-mK | Checked | 15.07.2015 | Klinkner |
| We reserve all rights to this document, to any patents or patent registrations related hereto, and to the duplication, retransmission by third parties and misc. use. Any use of this document is not permitted without the written consent of STABILUS. | | Document No.: | | |
| | | 10151065 | | |
| | | Material No.: | | |
| | | 829103 | | |

Ident. Doc.: L186