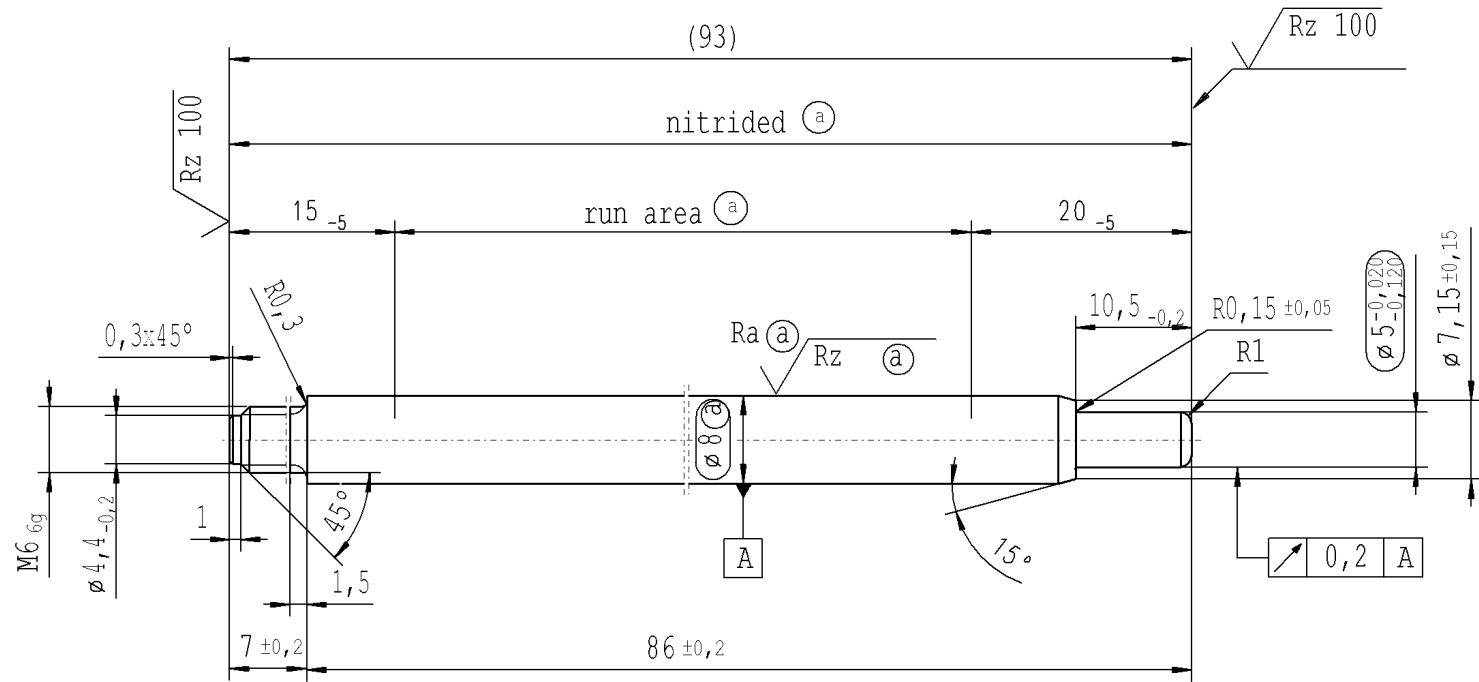


The print-out is not subject to the modification service.

Intended for internal and supplier use

EN

Ⓐ piston rod processing per STAB-Spec. 10028959, table 1



RELEASE
for supplier
company Zhang Shi
27.05.2015 Schilz A.
(date / signature)

$\sqrt{Rz\ 25}$ ($\sqrt{Rz\ 100}$ $\sqrt{Ra\ \text{Ⓐ}}$ $\sqrt{Rz\ \text{Ⓐ}}$) $\sqrt{+0,2}$ $\sqrt{-0,2}$

thread tolerances acc. to DIN ISO 965-3

AIAG CQI-standards acc. to STAB-Spec. 10027692

Environmental protection acc. to STAB-Spec. 10005649

Ident. Doc.: I07

DE: X	EN: X	ES:	IT:	PR:	FR:	RO:	CAD created document; handwritten changes not permitted
new	INITIAL RELEASE			R1			
old	-			0,5x45°			
Field	-			D-E/2			
Date/Name	30.11.2012 Kron			26.05.2015 Hein			
Chg. No.	600859			624060			
Rev.	0			1			

Material:	1.1193 S45C JISG 4051
Edge tolerances acc. to DIN ISO 13715	
Surface finish	DIN EN ISO 1302
Replaces:	
STABILUS	

All dimensions are in mm	Identification of important characteristics
Scale: (Original DIN A3) 2:1	Dimensions without tolerances DIN ISO 2768-mK
We reserve all rights to this document, to any patents or patent registrations related hereto, and to the duplication, retransmission by third parties and misc. use. Any use of this document is not permitted without the written consent of STABILUS.	
PISTON ROD	

Drawn by	Date	Name
Checked		
30.11.2012	26.05.2015	Kron
Document No.: 10151863		
Material No.: 357078		