

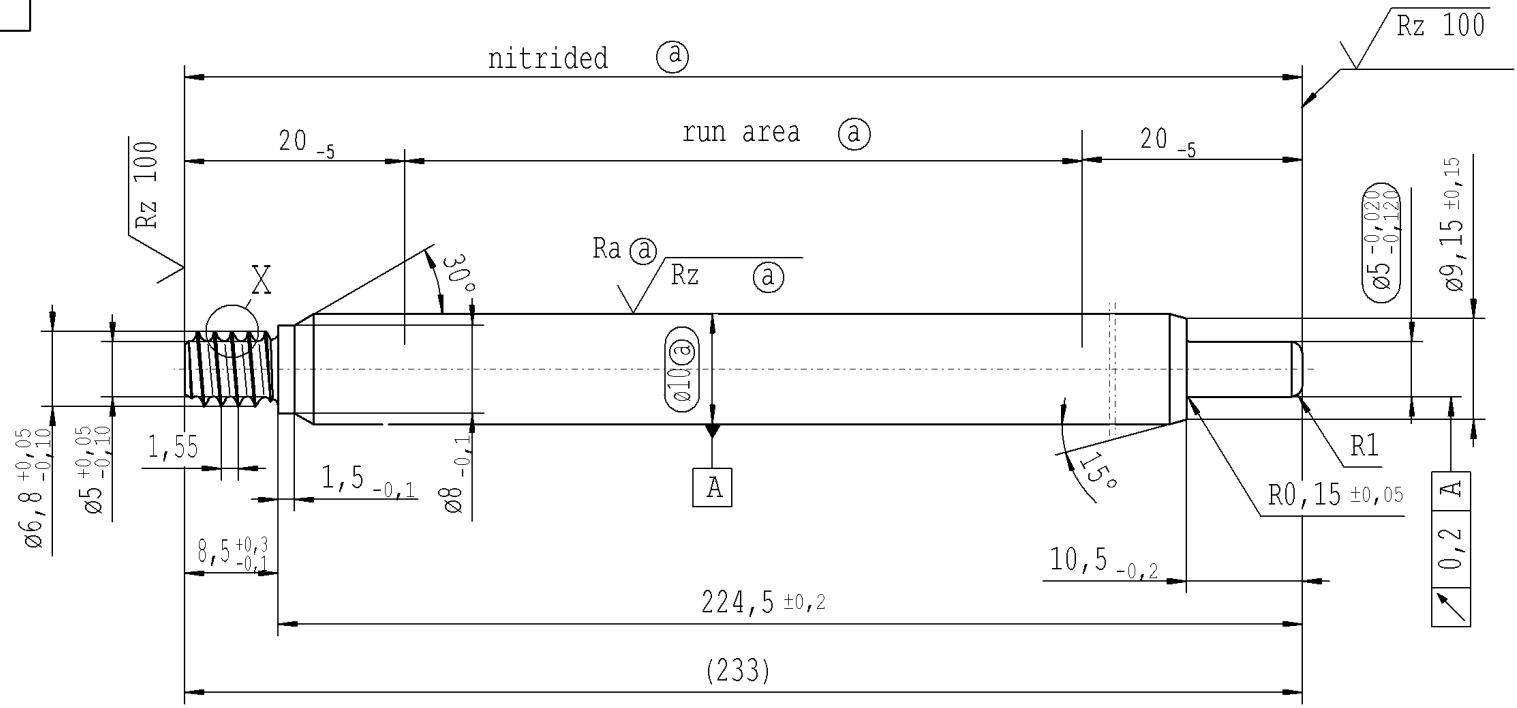
The print-out is not subject to the modification service.

Intended for internal and supplier use

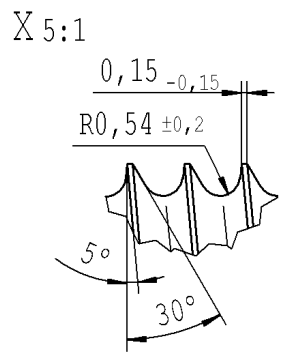
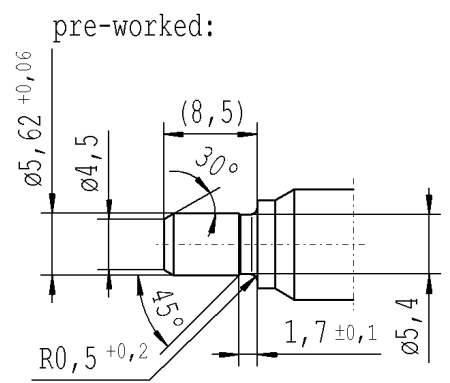
EN

Ident. Doc.: L07

Ⓐ piston rod processing per STAB-Spec. 10028959, table 1



RELEASE
 for supplier
 company Zhang Shi
 09.06.2015 Schilz A.
(date / signature)



$\sqrt{Rz\ 25}$ ($\sqrt{Rz\ 100}$ $Ra\ \text{Ⓐ}$ $Rz\ \text{Ⓐ}$) $\swarrow +0,2$ $\searrow -0,2$

AIAG CQI-standards acc. to STAB-Spec. 10027692

Environmental protection acc. to STAB-Spec. 10005649

DE: X	EN: X	ES:	IT:	PR:	FR:	RO:	CAD created document; handwritten changes not permitted		
new	INITIAL RELEASE	englisch text: nitrided	run area	R1					
old	-	englisch text: nitrited	hardness	0,5x45°					
Field	-	F/4-5	F 4	E/2					
Date/Name	08.04.2008 K.Marx	29.05.2008 Hein	26.7.10 Keßelh.	08.06.2015 Hein					
Chg. No.	-	565635	581811	624059					
Rev.	0	1	2	3					

Material:	1.1193 S45C JISG 4051
Edge tolerances acc. to DIN ISO 13715	
Surface finish	DIN EN ISO 1302
Replaces:	
STABILUS	

All dimensions are in mm	Identification of important characteristics	Drawn by	Date	Name
Scale: (Original DIN A3) 2:1	Dimensions without tolerances DIN ISO 2768 mK	Checked	08.04.2008	K.Marx
We reserve all rights to this document, to any patents or patent registrations related hereto, and to the duplication, retransmission by third parties and misc. use. Any use of this document is not permitted without the written consent of STABILUS.		Document No.:	10151520	
		Material No.:	008501	
		PISTON ROD		

Material No.:	008501
---------------	--------