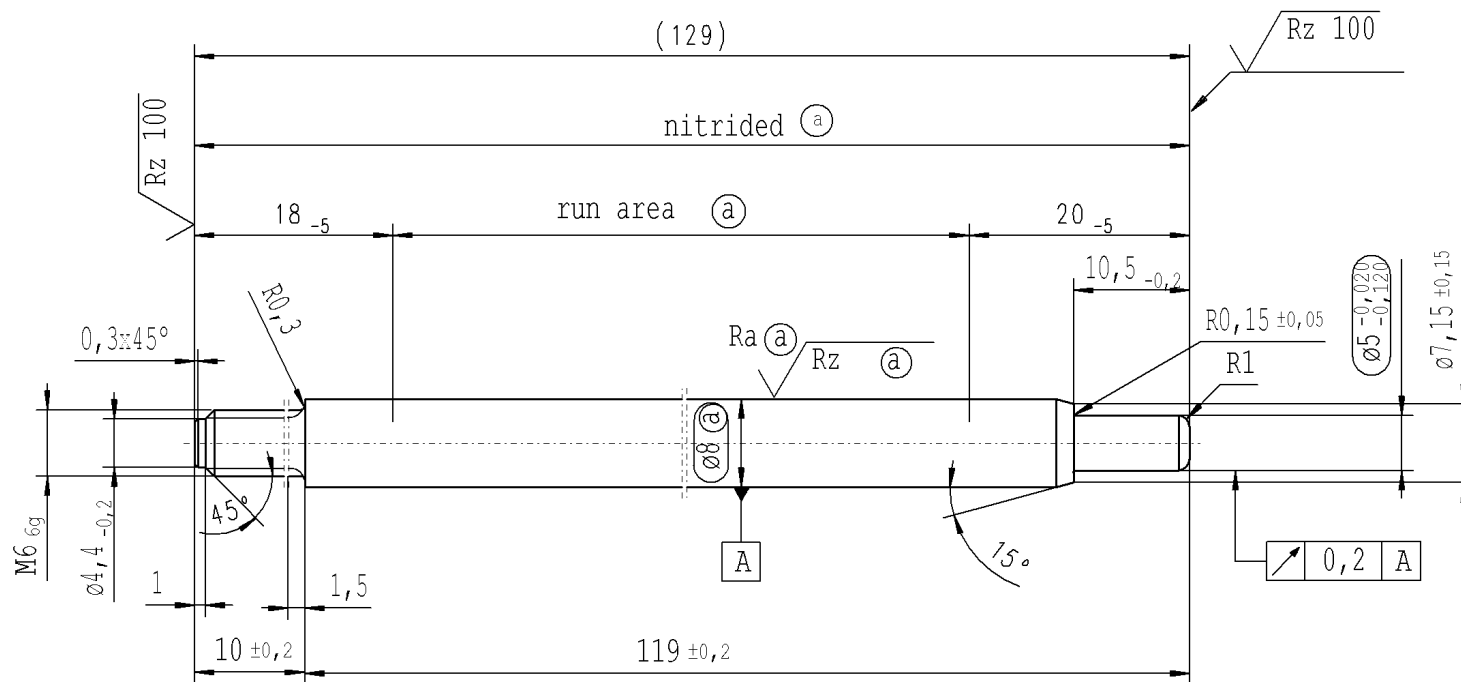


The print-out is not subject to the modification service.

Intended for internal and supplier use

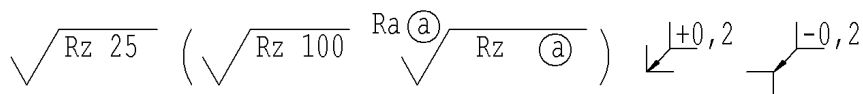
EN

Ⓐ piston rod processing per STAB-Spec. 10028959, table 1



RELEASE
for supplier
company Zhang Shi
02.06.2015 Schilz A.
(date / signature)

thread tolerances acc. to DIN ISO 965-3



AIAG CQI-standards acc. to STAB-Spec. 10027692

Environmental protection acc. to STAB-Spec. 10005649

Ident. Doc.: T02

DE: X	EN: X	ES:	IT:	PR:	FR:	RO:	CAD created document; handwritten changes not permitted	Material: 1.1193 S45C JISG 4051	All dimensions are in mm	Identification of important characteristics	Drawn by 30.03.2011 K.Marx	Date 30.03.2011	Name K.Marx
new	INITIAL RELEASE		R1					Edge tolerances acc. to DIN ISO 13715	Scale: (Original DIN A3) 2:1	Dimensions without tolerances DIN ISO 2768-mK	Checked 02.06.2015 Klinkner		
old	-		0,5x45°					Surface finish DIN EN ISO 1302					
Field	-		D-E/2					Replaces:					
Date/Name	30.03.2011 K.Marx		02.06.2015 Hein										Document No.: 10154967
Chg. No.	587872		624061										Material No.: 076247
Rev.	0		1					STABILUS		PISTON ROD			