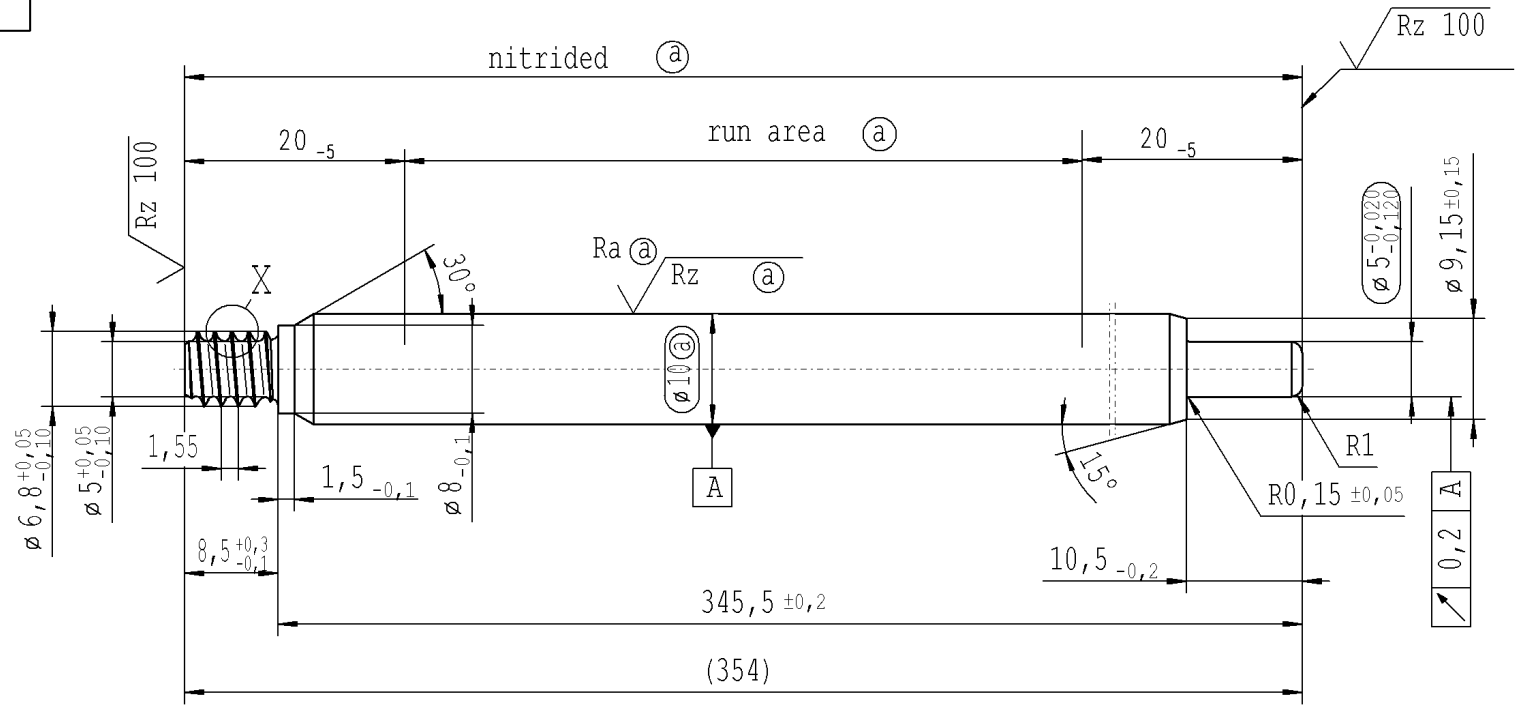


The print-out is not subject to the modification service.

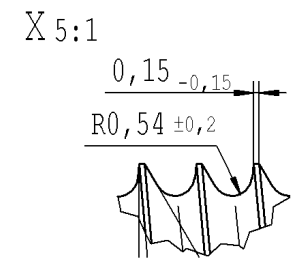
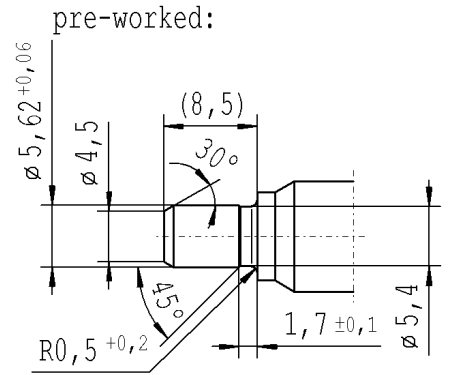
Intended for internal and supplier use

EN

Ⓐ piston rod processing per STAB-Spec. 10028959, table 1



RELEASE
 for supplier
 company Zhang Shi
 09.06.2015 Schilz A.
 (date / signature)



$\sqrt{Rz\ 25}$ ($\sqrt{Rz\ 100}$ $Ra\ \text{Ⓐ}$ $Rz\ \text{Ⓐ}$) $\swarrow +0,2$ $\searrow -0,2$

AIAG CQI-standards acc. to STAB-Spec. 10027692

Environmental protection acc. to STAB-Spec. 10005649

Ident. Doc.: L41

DE: X	EN: X	ES:	IT:	PR:	FR:	RO:	CAD created document; handwritten changes not permitted
new	INITIAL RELEASE			R1			
old	-			0,5x45°			
Field	-			E/2			
Date/Name	21.01.2015 Kron			08.06.2015 Hein			
Chg. No.	620485			624059			
Rev.	0			1			

Material:	1.1193 S45C JISG 4051
Edge tolerances acc. to DIN ISO 13715	
Surface finish	DIN EN ISO 1302
Replaces:	
STABILUS	

All dimensions are in mm	Identification of important characteristics	Drawn by	Date	Name
Scale: (Original DIN A3) 2:1	Dimensions without tolerances DIN ISO 2768 mK	Checked	08.06.2015	Kron
We reserve all rights to this document, to any patents or patent registrations related hereto, and to the duplication, retransmission by third parties and misc. use. Any use of this document is not permitted without the written consent of STABILUS.		Document No.:	10151520	
		Material No.:	908937	

Material No.:	908937
---------------	--------