

The print-out is not subject to the modification service.

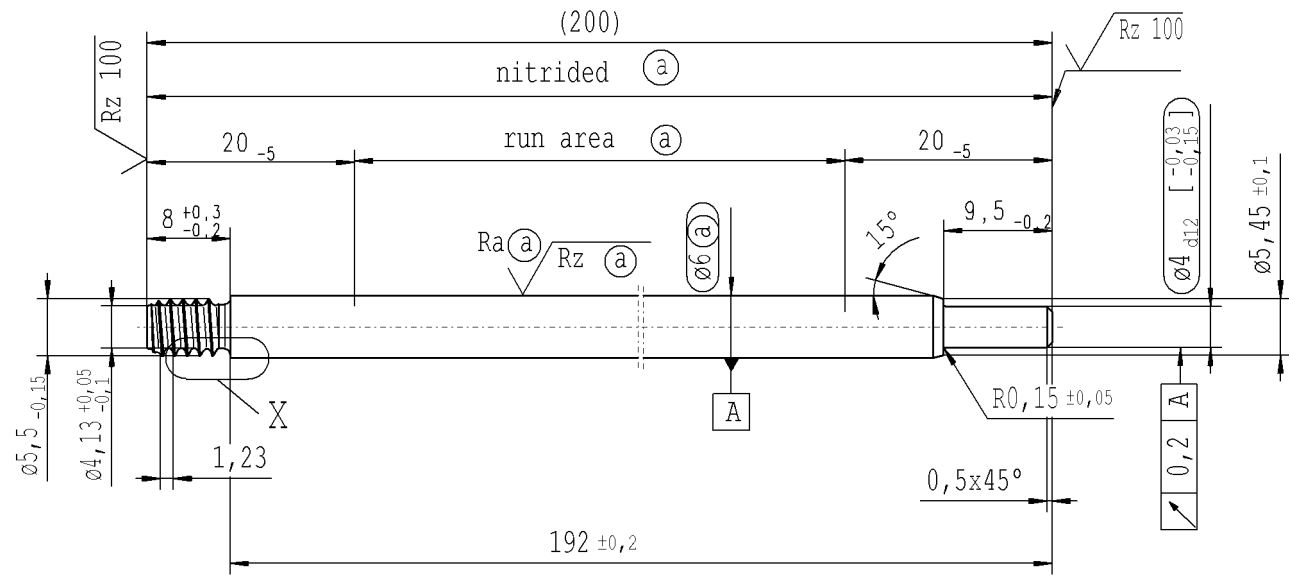
Intended for internal and supplier use

EN

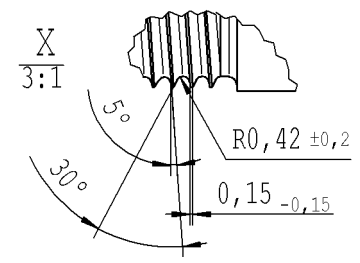
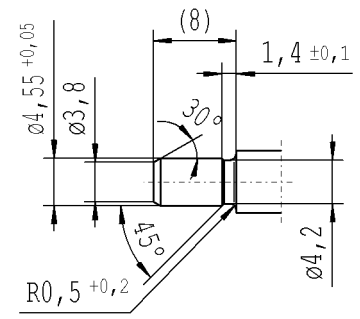
B

Ident. Doc.:

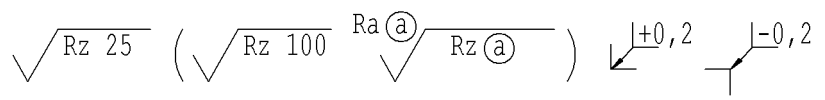
Ⓐ piston rod processing per STAB-Spec. 10028959, table 1



pre-worked:



RELEASE
for supplier
company Zhang Shi



Environmental protection acc. to STAB-Spec. 10005649

DE: X	EN: X	ES:	IT:	PR:	FR:	RO:	CAD created document; handwritten changes not permitted	Material: 1.1193 S45C JISG 4051	All dimensions are in mm	Identification of important characteristics	Drawn by 05.01.2010 Hein	Date 28.07.2010	Name Klinkner
new	INITIAL RELEASE		run area					Edge tolerances acc. to DIN ISO 13715	Scale: (Original DIN A3) 2:1	Dimensions without tolerances DIN ISO 2768-mK	Checked 28.07.2010		
old	-		hardness					Surface finish DIN EN ISO 1302	We reserve all rights to this document, to any patents or patent registrations related hereto, and to the duplication, retransmission by third parties and misc. use. Any use of this document is not permitted without the written consent of STABILUS.				
Field	-		F/4,5					Replaces:	Document No.: 10151336				
Date/Name	05.01.2010 Hein		28.07.2010 Geisbüsch						Material No.: 763639				
Chg. No.	-		581797					STABILUS	PISTON ROD				
Rev.	0		1										