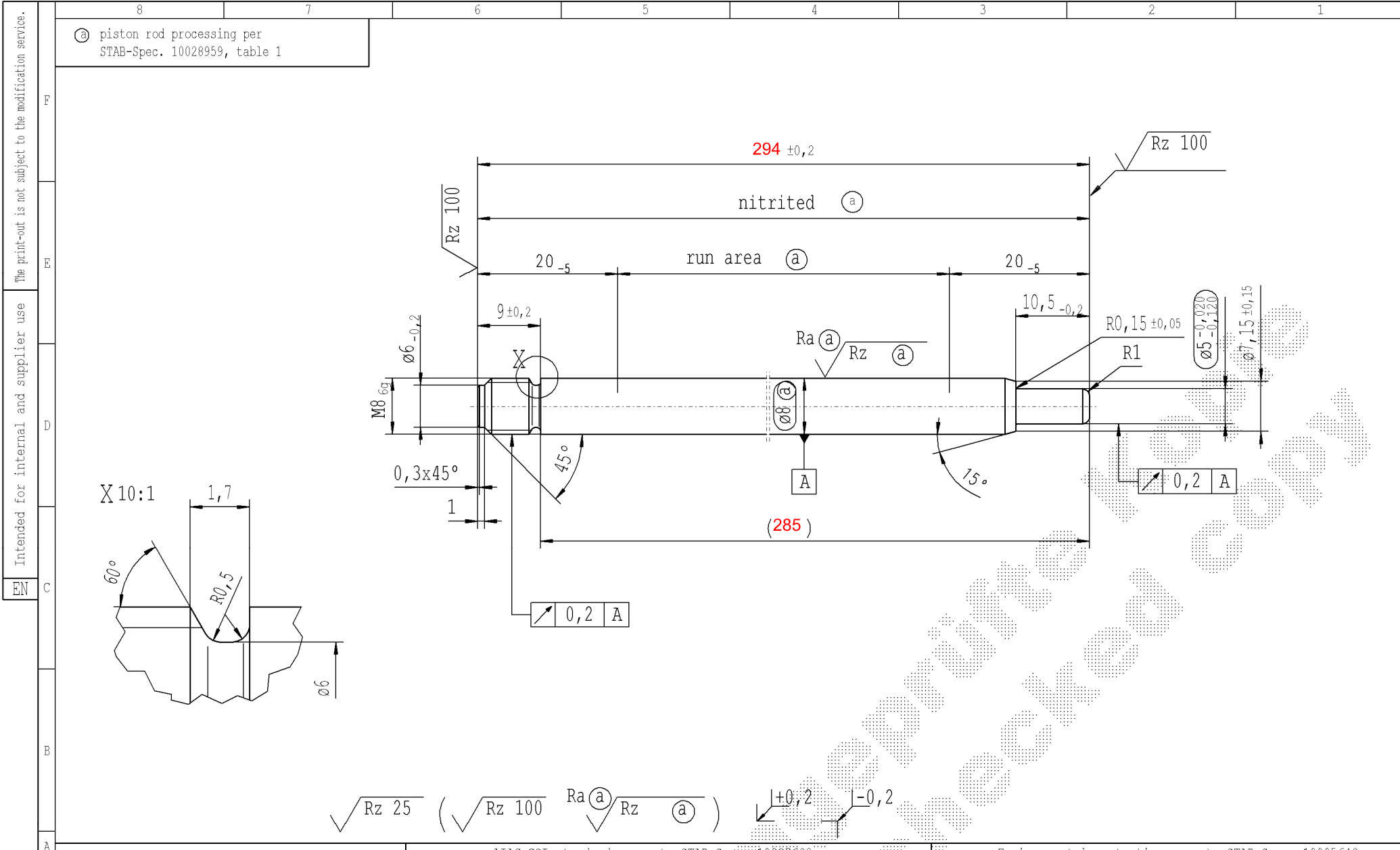


The print-out is not subject to the modification service.

Intended for internal and supplier use

Ident. Doc.: L14



AIAG CQI-standards acc. to STAB-Spec. 10027692

Environmental protection acc. to STAB-Spec. 10005649

DE: X	EN: X	ES:	IT:	PR:	FR:	RO:	CAD created document; handwritten changes not permitted	
new	INITIAL RELEASE						<div style="border: 1px solid black; padding: 5px; text-align: center;"> RELEASE for supplier company Zhang Shi Dat. 09.10.2018 Schilz A. (date / signature) </div>	
old	-							
Field	-							
Date/Name	09.10.2018 Höfer							
Chg. No.	672356							
Rev.	0							

Material:	1.1193 S45C JISG 4051
Edge tolerances acc. to	DIN ISO 13715
Surface finish	DIN EN ISO 1302
Registers:	
STABILUS	

All dimensions are in mm	Identification of important characteristics	Date	Name
Scale: (Original DIN A3) 2:1	Dimensions without tolerances DIN ISO 2768 mK	Drawn by	09.10.2018 Höfer
We reserve all rights to this document, to any patents or patent registrations related hereto, and to the duplication, retransmission by third parties and misc. use. Any use of this document is not permitted without the written consent of STABILUS.		Checked	09.10.2018 Milles
		Document No.:	10152007
PISTON ROD		Material No.:	

Date	Name
09.10.2018	Höfer
09.10.2018	Milles
Document No.:	10152007
Material No.:	