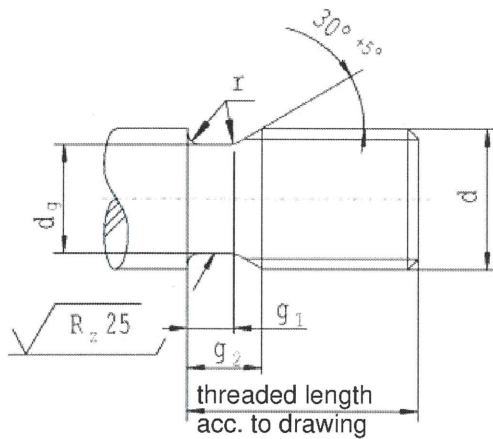


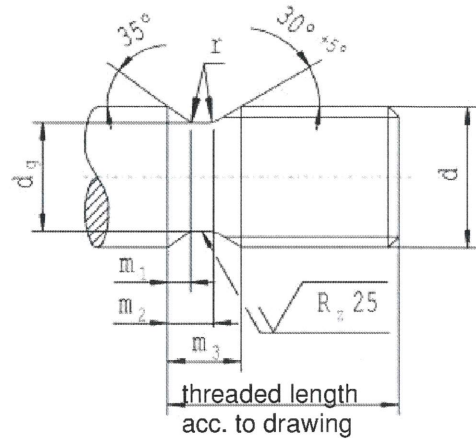
# Thread relief (DIN 76 Part 1)

Document-No.  
STAB-Spec. 10005754  
Page 1  
Ident. Doc.: SN 03.10-00/21

Version 1  
form B, short



Version 2



The print-out is not subject to the modification service.

Intended for internal and supplier use.

| Pos. No. | Thread nominal Ø d | Thread pitch P | d <sub>g</sub> h13 | Version 1          |                    |     | Version 2          |                    |                    |     |
|----------|--------------------|----------------|--------------------|--------------------|--------------------|-----|--------------------|--------------------|--------------------|-----|
|          |                    |                |                    | g <sub>1</sub> min | g <sub>2</sub> max | r ≈ | m <sub>1</sub> min | m <sub>2</sub> min | m <sub>3</sub> max | r ≈ |
| 1        | 3                  | 0,5            | 2,2                | 0,5                | 1,25               | 0,2 |                    |                    |                    |     |
| 2        | 3,5                | 0,6            | 2,5                | 0,6                | 1,5                | 0,4 |                    |                    |                    |     |
| 3        | 4                  | 0,7            | 2,9                | 0,8                | 1,75               | 0,4 |                    |                    |                    |     |
| 4        | 4,5                | 0,75           | 3,3                | 0,9                | 1,9                | 0,4 |                    |                    |                    |     |
| 5        | 5                  | 0,8            | 3,7                | 0,9                | 2,0                | 0,4 |                    |                    |                    |     |
| 6        | 6                  | 0,75           | 4,8                | 0,9                | 1,9                | 0,4 |                    |                    |                    |     |
| 7        | 6                  | 1              | 4,4                | 1,1                | 2,5                | 0,6 |                    |                    |                    |     |
| 8        | 7                  | 1              | 5,4                | 1,1                | 2,5                | 0,6 |                    |                    |                    |     |
| 9        | 8                  | 0,75           | 6,8                | 0,9                | 1,9                | 0,4 |                    |                    |                    |     |
| 10       | 8                  | 1              | 6,4                | 1,1                | 2,5                | 0,6 |                    |                    |                    |     |
| 11       | 8                  | 1,25           | 6,0                | 1,5                | 3,2                | 0,6 |                    |                    |                    |     |
| 12       | 10                 | 0,75           | 8,8                | 0,9                | 1,9                | 0,4 |                    |                    |                    |     |
| 13       | 10                 | 1              | 8,4                | 1,1                | 2,5                | 0,6 | 1,8                | 2,9                | 4,3                | 0,6 |
| 14       | 10                 | 1,25           | 8,0                | 1,5                | 3,2                | 0,6 |                    |                    |                    |     |
| 15       | 10                 | 1,5            | 7,7                | 1,8                | 3,8                | 0,8 | 2,3                | 4,1                | 6,1                | 0,8 |
| 16       | 12                 | 1              | 10,4               | 1,1                | 2,5                | 0,6 |                    |                    |                    |     |
| 17       | 12                 | 1,25           | 10,0               | 1,5                | 3,2                | 0,6 |                    |                    |                    |     |
| 18       | 12                 | 1,5            | 9,7                | 1,8                | 3,8                | 0,8 |                    |                    |                    |     |
| 19       | 12                 | 1,75           | 9,4                | 2,1                | 4,3                | 1,0 |                    |                    |                    |     |
| 20       | 14                 | 2              | 11,0               | 2,5                | 5,0                | 1,0 |                    |                    |                    |     |

DE: X | EN: X | ES: | IT: | PR: | FR: | RO: X  
 Preceding edition: 27.02.1986

Rev.: 3

We reserve all rights to this document, to any patents or patent registrations related hereto, and to the duplication, retransmission by third parties and misc. use. Any use of this document is not permitted without the written consent of STABILUS.

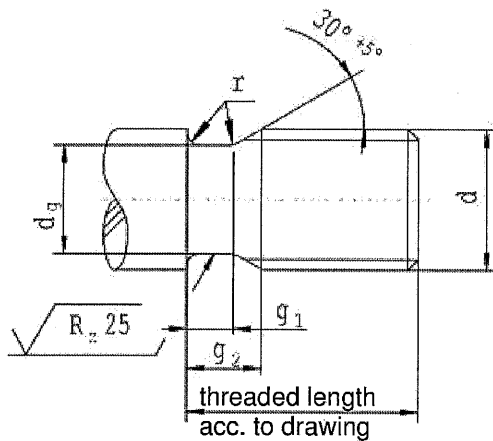
STABILUS GmbH  
Waltersheimer Weg 100  
D-56070 Koblenz  
Postfach 201454, D-56014 Koblenz

Telefon: (0261) 8900-0  
Telefax: (0261) 8900-204  
E-Mail: Info@de.stabilus.com  
http://www.stabilus.com

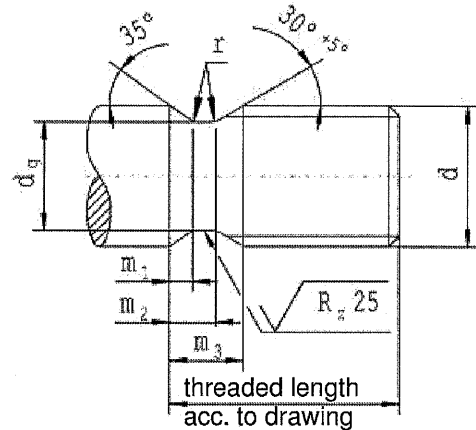
## Thread relief (DIN 76 Part 1)

Document-No.  
**STAB-Spec. 10005754**  
 Page **2**  
 Ident. Doc.: SN 03.10-00/21

Version 1  
 form B, short



Version 2



The print-out is not subject to the modification service.

Intended for internal and supplier use.

| Pos. No. | Thread nominal $\varnothing d$ | Thread pitch P | $d_{gH13}$ | Version 1 |           |             | Version 2 |           |           | $r \approx$ |
|----------|--------------------------------|----------------|------------|-----------|-----------|-------------|-----------|-----------|-----------|-------------|
|          |                                |                |            | $g_1$ min | $g_2$ max | $r \approx$ | $m_1$ min | $m_2$ min | $m_3$ max |             |
| 21       | 16                             | 1,0            | 14,4       | 1,1       | 2,5       | 0,6         |           |           |           |             |
| 22       | 16                             | 1,5            | 13,7       | 1,8       | 3,8       | 0,8         |           |           |           |             |
| 23       | 16                             | 2,0            | 13,0       | 2,5       | 5,0       | 1,0         |           |           |           |             |
| 24       | 18                             | 2,5            | 14,4       | 3,2       | 6,3       | 1,2         |           |           |           |             |
| 25       | 20                             | 1,0            | 18,4       | 1,1       | 2,5       | 0,6         |           |           |           |             |
| 26       | 20                             | 1,5            | 17,7       | 1,8       | 3,8       | 0,8         |           |           |           |             |
| 27       | 20                             | 2,5            | 16,4       | 3,2       | 6,3       | 1,2         |           |           |           |             |
|          |                                |                |            |           |           |             |           |           |           |             |
|          |                                |                |            |           |           |             |           |           |           |             |
|          |                                |                |            |           |           |             |           |           |           |             |

EN

DE: X | EN: X | ES: | IT: | PR: | FR: | RO: X  
 Preceding edition: 27.02.1986

Rev.: **3**

We reserve all rights to this document, to any patents or patent registrations related hereto, and to the duplication, retransmission by third parties and misc. use. Any use of this document is not permitted without the written consent of STABILUS.

STABILUS GmbH  
 Wallersheimer Weg 100  
 D-56070 Koblenz  
 Postfach 201454, D-56014 Koblenz

Telefon: (0261) 8900-0  
 Telefax: (0261) 8900-204  
 E-Mail: info@de.stabilus.com  
 http://www.stabilus.com