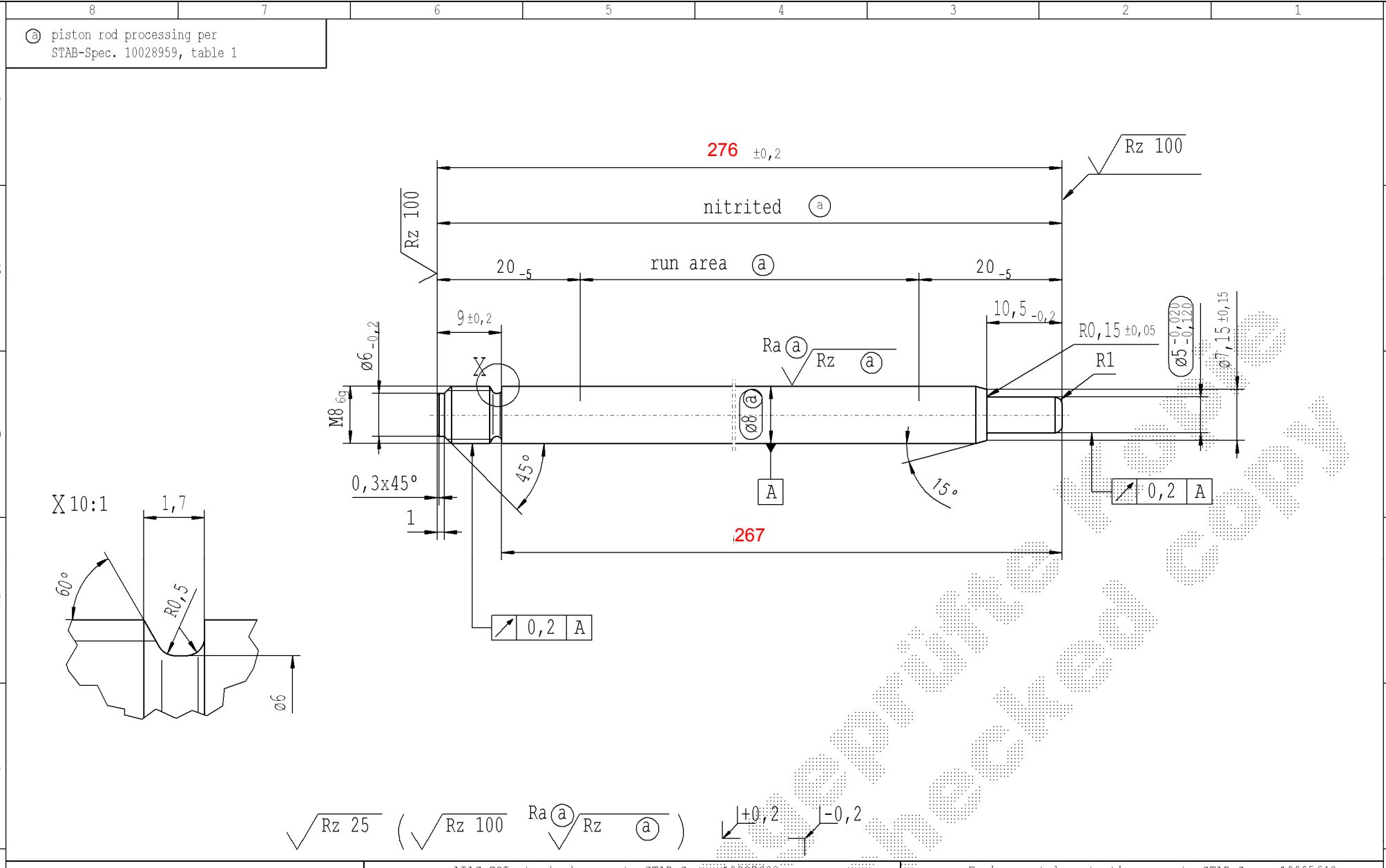


The print-out is not subject to the modification service.

Intended for internal and supplier use

EN

Ident. Doc.: L14



AIAG CQI-standards acc. to STAB-Spec. 10027692 Environmental protection acc. to STAB-Spec. 10005649

DE: X	EN: X	ES:	IT:	PR:	FR:	RO:	CAD created document; handwritten changes not permitted		Material: 1.1193 S45C JISG 4051	All dimensions are in mm	Identification of important characteristics	Date	Name	
new	INITIAL RELEASE								Edge tolerances acc. to DIN ISO 13715	Scale: (Original DIN A3) 2:1	Dimensions without tolerances DIN ISO 2768 mK	Drawn by	Höfer	
old	-								Surface finish acc. to DIN EN ISO 1302			Checked	Milles	
Field	-								Registers:					
Date/Name	09.10.2018 Höfer												Document No.: 10152007	
Chg. No.	672356												Material No.:	
Rev.	0													
RELEASE for supplier company Zhang Shi Dat. 09.10.2018 Schilz A. (date / signature)									STABILUS		PISTON ROD			