

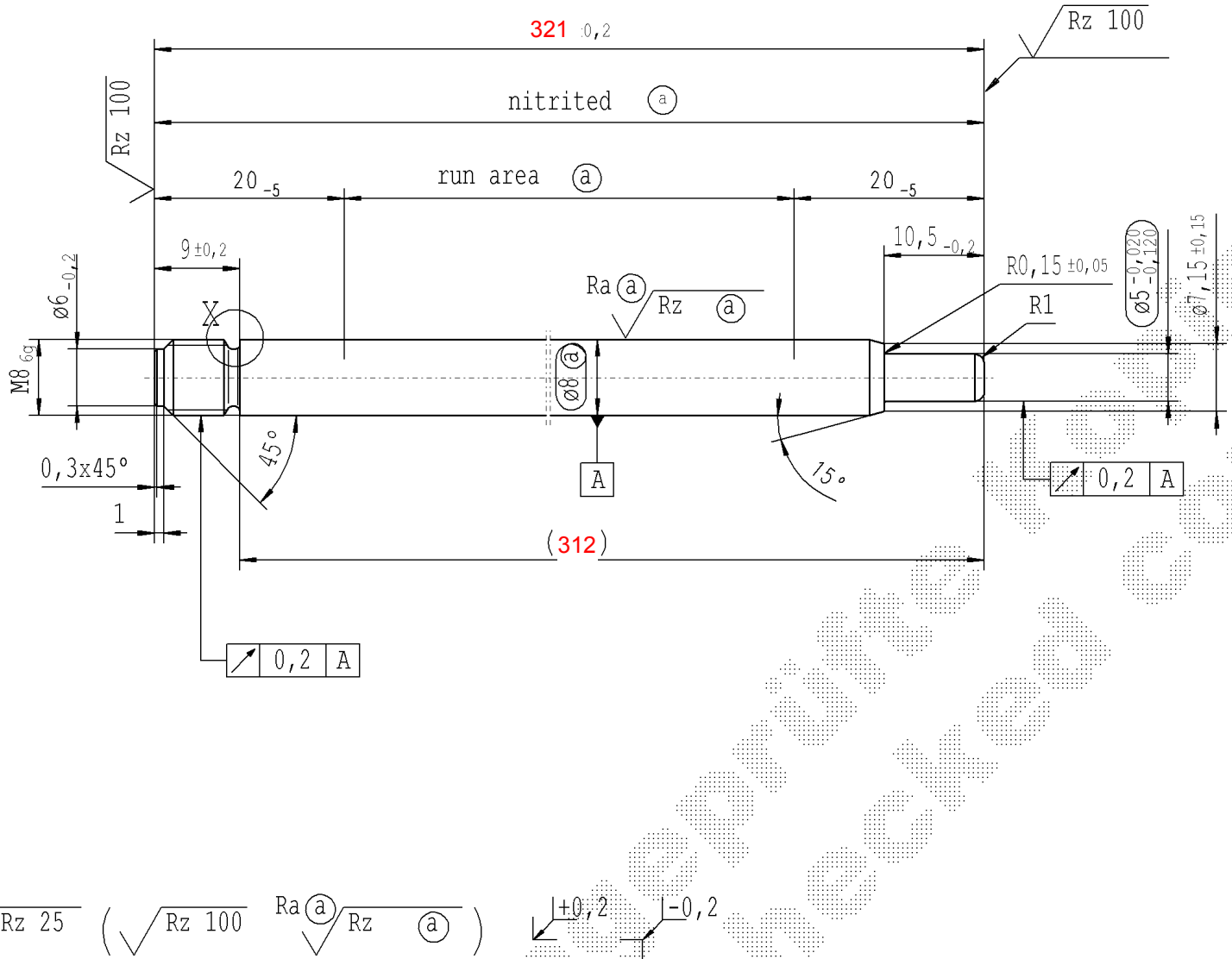
The print-out is not subject to the modification service.

Intended for internal and supplier use

EN

Ident. Doc.: L14

Ⓐ piston rod processing per STAB-Spec. 10028959, table 1



AIAG CQI-standards acc. to STAB-Spec. 10027892 Environmental protection acc. to STAB-Spec. 10005649

DE: X	EN: X	ES:	IT:	PR:	FR:	RO:
new	INITIAL RELEASE					
old	-					
Field	-					
Date/Name	09.10.2018 Höfer					
Chg. No.	672356					
Rev.	0					

CAD created document; handwritten changes not permitted

RELEASE
for supplier

company _____

Dat. 09.10.2018 Schilz A.
(date / signature)

Material: 1.1193 S45C (JISG 4051)

Edge tolerances acc. to DIN ISO 13715

Surface finish: DIN EN ISO 1302

Replaces: _____

STABILUS

All dimensions are in mm

Scale: (Original DIN A3) **2:1**

Dimensions without tolerances DIN ISO 2768 mK

We reserve all rights to this document, to any patents or patent registrations related hereto, and to the duplication, retransmission by third parties and misc. use. Any use of this document is not permitted without the written consent of STABILUS.

PISTON ROD

Identification of important characteristics	Date	Name
Drawn by	09.10.2018	Höfer
Checked	09.10.2018	Milles
Document No.:	10152007	
Material No.:		