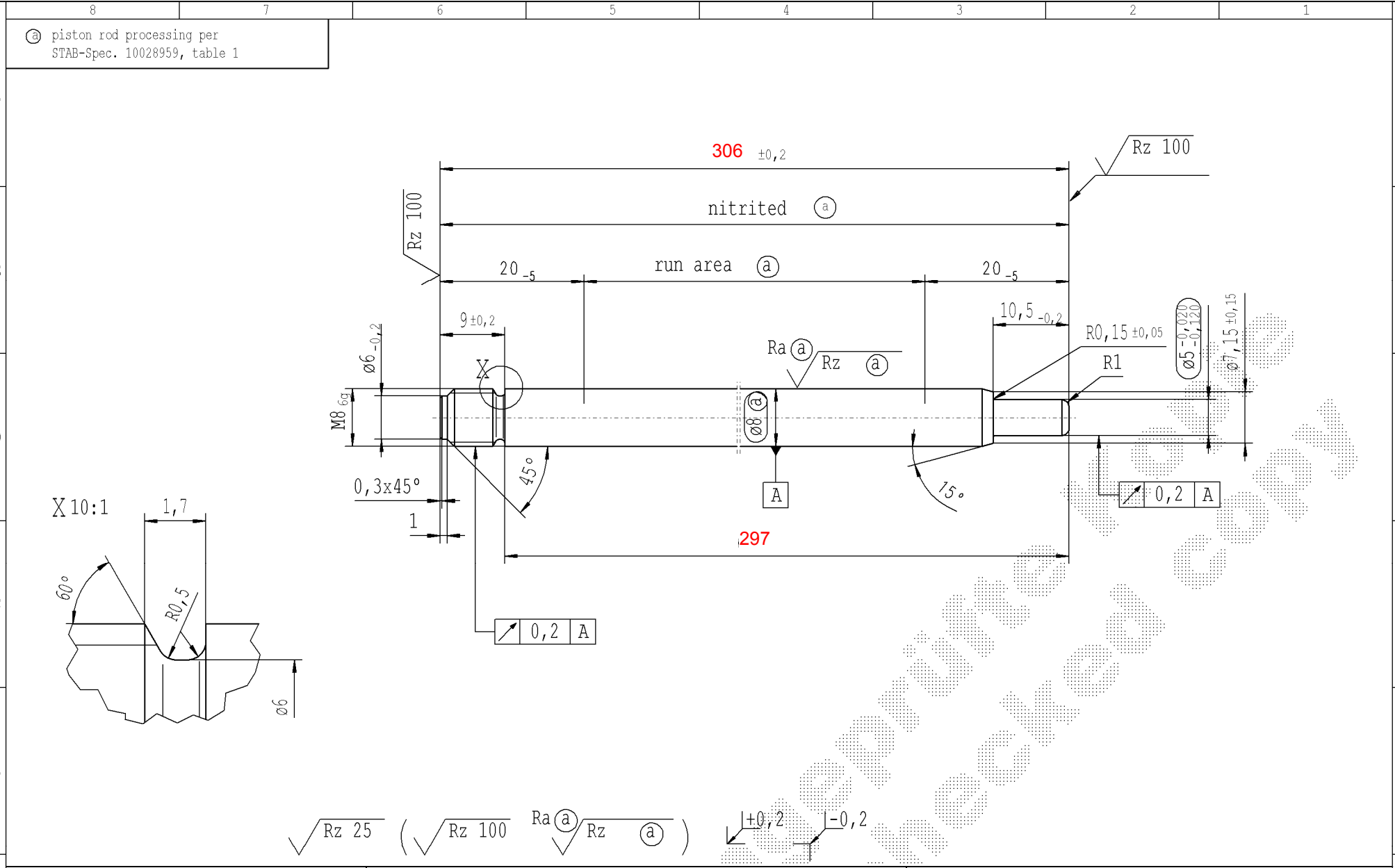


The print-out is not subject to the modification service.

Intended for internal and supplier use

EN

Ident. Doc.: L14



AIAG CQI-standards acc. to STAB-Spec. 10027692 Environmental protection acc. to STAB-Spec. 10005649

DE: X	EN: X	ES:	IT:	PR:	FR:	RO:	CAD created document; handwritten changes not permitted		Material: 1.1193 S45C JISG 4051	All dimensions are in mm	Identification of important characteristics	Date	Name	
new	INITIAL RELEASE							company Zhang Shi	Edge tolerances acc. to DIN ISO 13715	Scale: (Original DIN A3) 2:1	Dimensions without tolerances DIN ISO 2768 mK	Drawn by	Höfer	
old	-								Surface finish: DIN EN ISO 1302			Checked	09.10.2018 Milles	
Field	-								Registers:	We reserve all rights to this document, to any patents or patent registrations related hereto, and to the duplication, retransmission by third parties and misc. use. Any use of this document is not permitted without the written consent of STABILUS.			Document No.:	10152007
Date/Name	09.10.2018 Höfer									PISTON ROD			Material No.:	
Chg. No.	672356									STABILUS				
Rev.	0									Dat. 09.10.2018 Schilz A. (date / signature)				