

The print-out is not subject to the modification service.

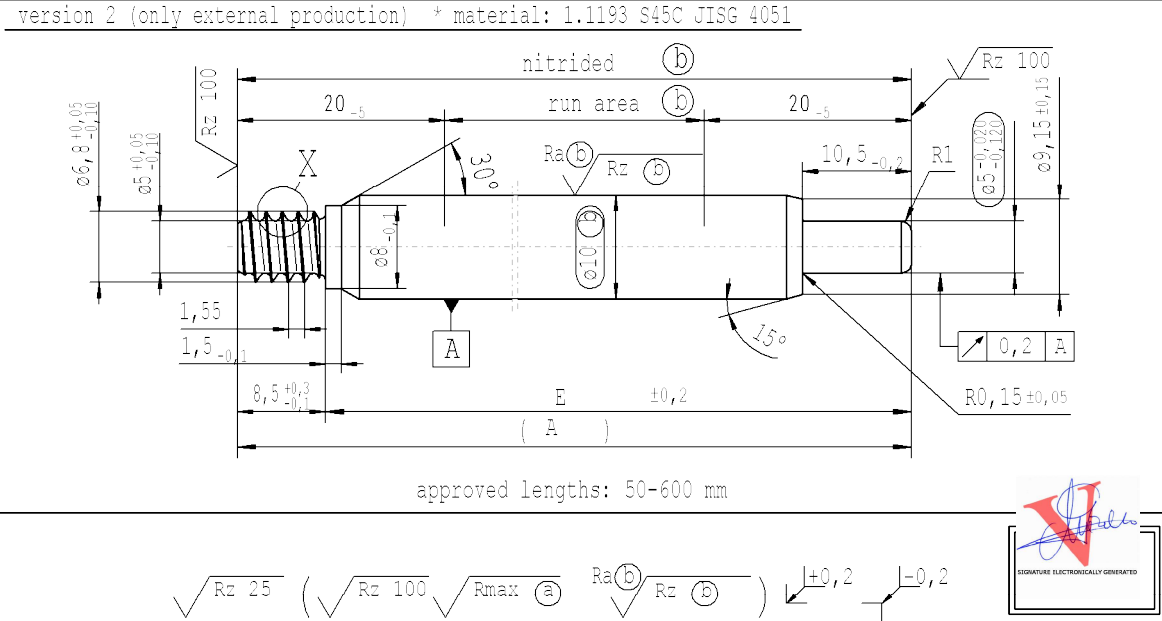
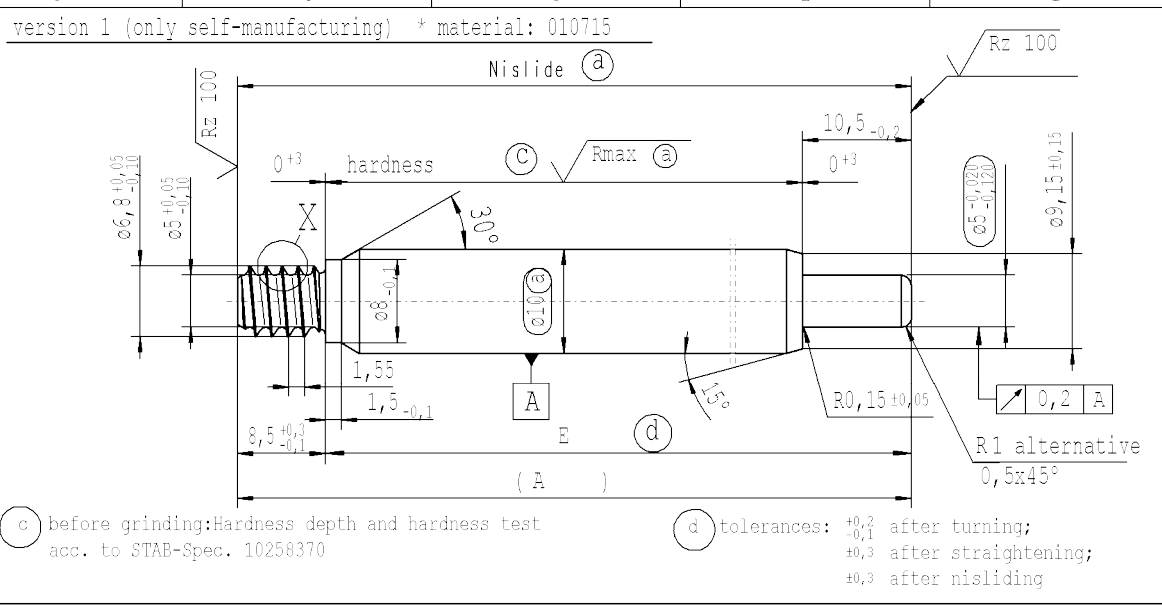
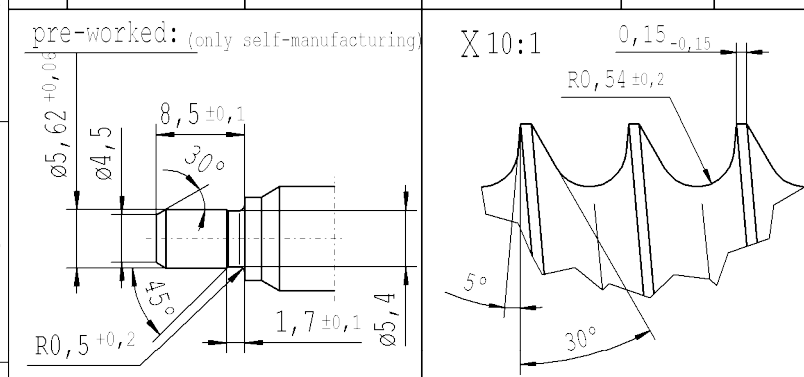
Intended for internal and supplier use

Ident. Doc.:

Date: 07/2020 - 13:44

supp. No.	material no.			A	E
	processing and surface treatment acc. to STAB-Spec.				
	10006248 Tab. IV version 1	10006248 Tab. X version 1	10028959 Tab. I version 2		
82	777744	777744	777744	270.0	261.5
83	778700	778700	778700	366.0	357.5
84	473259	473259	473259	144.0	135.5
85	492618	492618	492618	132.0	123.5
86		494530	494530	303.0	294.5
87	993562	993562	993562	168.0	159.5
88	154434	154434	154434	213.0	204.5
89	422832	422832	422832	324.0	315.5
90	874306	874306	874306	381.0	372.5
91	937163	937163	937163	255.0	246.5

XX	xxxxxx	xxxxxx	xxxxxx	465	456.5
-----------	---------------	---------------	---------------	------------	--------------



DE: X				EN: X				ES: X				IT: X				FR: X				RO: X				Material: *				All dimensions are in mm				Marking of special characteristics according to STAB-Spec. 10270932				Date: 17.12.2007				Name: chain			
new				10243571				position of angle 5° corrected				☉ = acc. STAB-Spec. 10258370				new format Internal/Supplier				Edge tolerances acc. to DIN ISO 13715				Scale: (Original DIN A3) 2:1				Dimensions without tolerances DIN ISO 2768-mK				Checked: 02.06.2020				Klinkner							
old				Rifa				661579				wrong position of angle 5°				☉ = RHT 0,4 ... 0,7 mm				Supplier drawing separately				Surface finish DIN EN ISO 1302				Replaces:				We reserve all rights to this document, to any patents or patent registrations related hereto, and to the duplication, retransmission by third parties and misc. use. Any use of this document is not permitted without the written consent of STABILUS.				Document No.: 10151520							
Field				-				Pos.59				B-C/1-3				B 4-5				-				STABILUS				PISTON ROD				Material No.:											
Date/Name				12.04.2017 Höfer				18.03.2019 Hein				15.05.2019 Donat				02.06.2020 Höfer				-				-				-				-											
Chg. No.				655394				675186				678703				688809				-				-				-				-											
Rev.				10				11				12				13				-				-				-				-											

