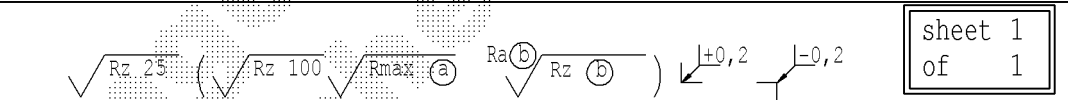
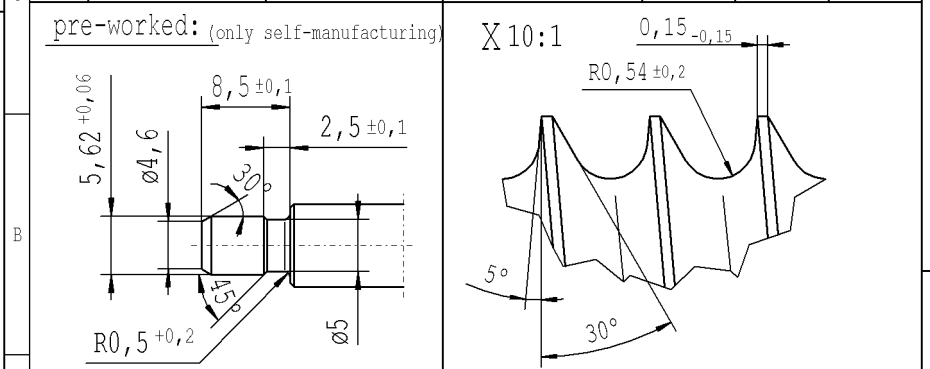
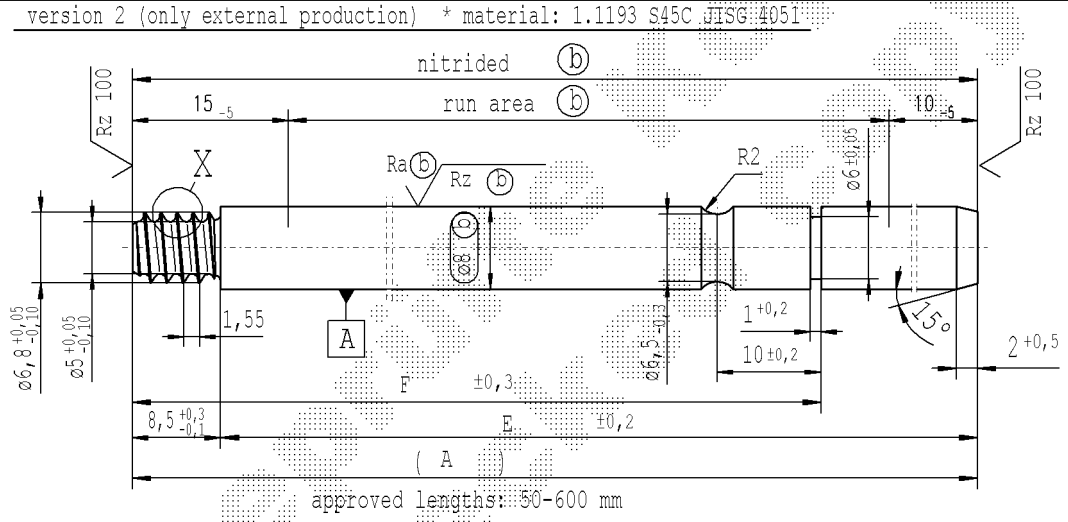
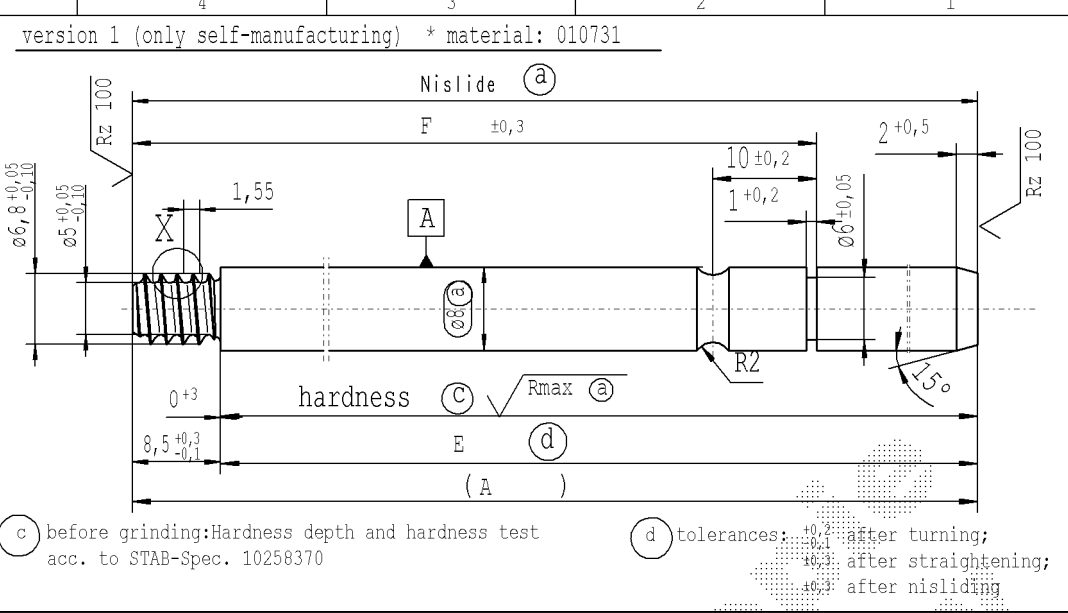


The print-out is not subject to the modification service.

Intended for internal and supplier use

Ident. Doc.: ERS-111.docx; 5/8/2020 - 11:58

| supp No. | material no. | | | A | E | F |
|----------|-------------------------------|------------------------------|------------------------------|----------------|--------------------------------|----------------------|
| | 10006248 Tab. IV version 1 | 10006248 Tab. X version 1 | 10028959 Tab. I version 2 | overall length | length without endfitting stud | length to groove end |
| 1 | | 606615 | 606615 | 235 | 226.5 | 132 |
| 2 | | 557393 | 557393 | 228 | 219.5 | 129 |
| | | xxxxxxx | xxxxxxx | 352 | 343.5 | 193 |



sheet 1 of 1

| | | | | | | | | | | | | | | | | | | | | | | | | | | | | | | | | | | | |
|---|--|--|--|---|--|--|--|------------------------------|--|--|--|------------------|--|--|--|------------------------------|--|--|--|---------------------------------------|--|--|--|--|--|--|--|---|--|--|--|---|--|--|--|
| DE: X | | | | EN: X | | | | ES: X | | | | IT: X | | | | PR: X | | | | FR: X | | | | RO: X | | | | Material: * | | | | Environmental protection acc. to STAB-Spec. 10005649 | | | |
| CRD created document; handwritten changes not permitted | | | | | | | | | | | | | | | | All dimensions are in mm | | | | | | | | | | | | | | | | Marking of special characteristics according to STAB-Spec. 10270932 | | | |
| new | | | | position of angle 5° corrected; 8,5 $+0,3$ $-0,1$ | | | | © = acc. STAB-Spec. 10258370 | | | | 2019/0882 | | | | new format Internal/Supplier | | | | Edge tolerances acc. to DIN ISO 13715 | | | | Scale: (Original DIN A3) 2:1 | | | | Dimensions without tolerances DIN ISO 2768-mK | | | | | | | |
| old | | | | wrong position of angle 5°; (8,5) | | | | © = RHT 0,4 ... 0,7 mm | | | | 2018/xxxx | | | | Supplier drawing separately | | | | Surface finish: DIN EN ISO 1302 | | | | We reserve all rights to this document, to any patents or patent registrations related hereto, and to the duplication, retransmission by third parties and misc. use. Any use of this document is not permitted without the written consent of STABILUS. | | | | Document No.: 10249121 | | | | | | | |
| Field | | | | B-C/1-3; D/4 | | | | B8 | | | | B6 | | | | - | | | | Reguliertes: | | | | PISTON ROD | | | | Material No.: | | | | | | | |
| Date/Name | | | | 15.03.2019 Hein | | | | 24.04.2019 Höfer | | | | 17.06.2020 Höfer | | | | 30.06.2020 Höfer | | | | | | | | | | | | | | | | | | | |
| Chg. No. | | | | 676120 | | | | 678037 | | | | 689162 | | | | 689714 | | | | | | | | | | | | | | | | | | | |
| Rev. | | | | 6 | | | | 7 | | | | 8 | | | | 9 | | | | | | | | | | | | | | | | | | | |

STABILUS

PISTON ROD