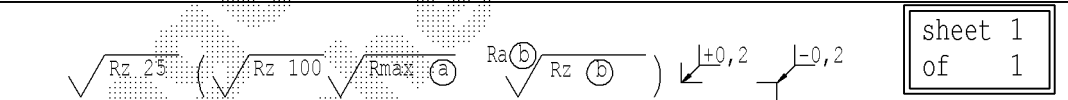
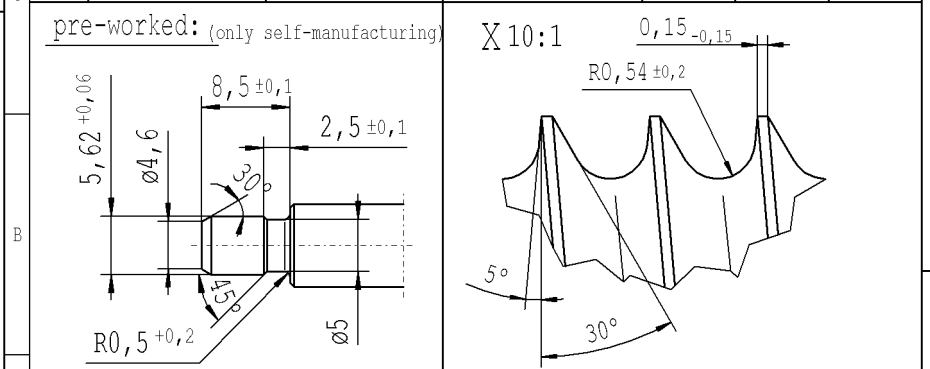
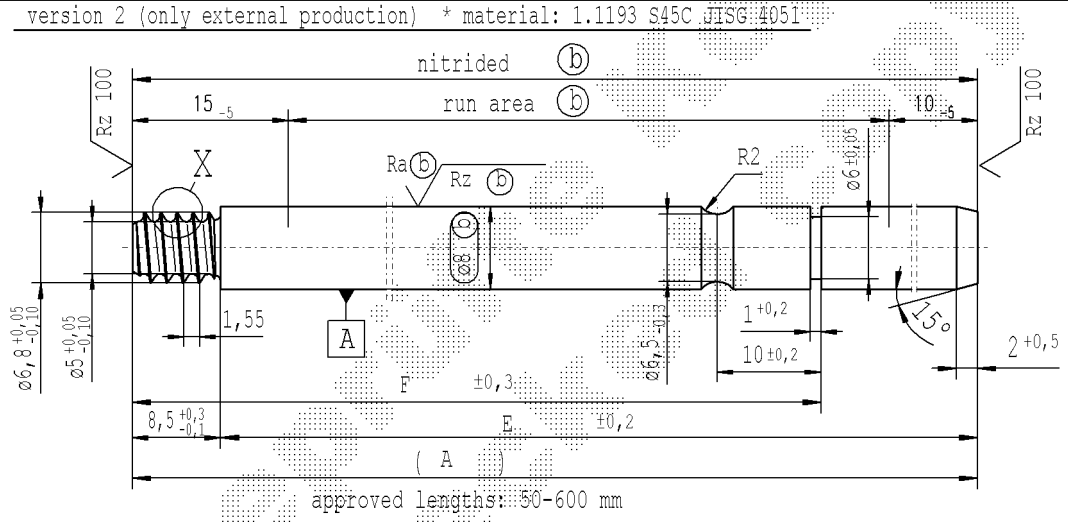
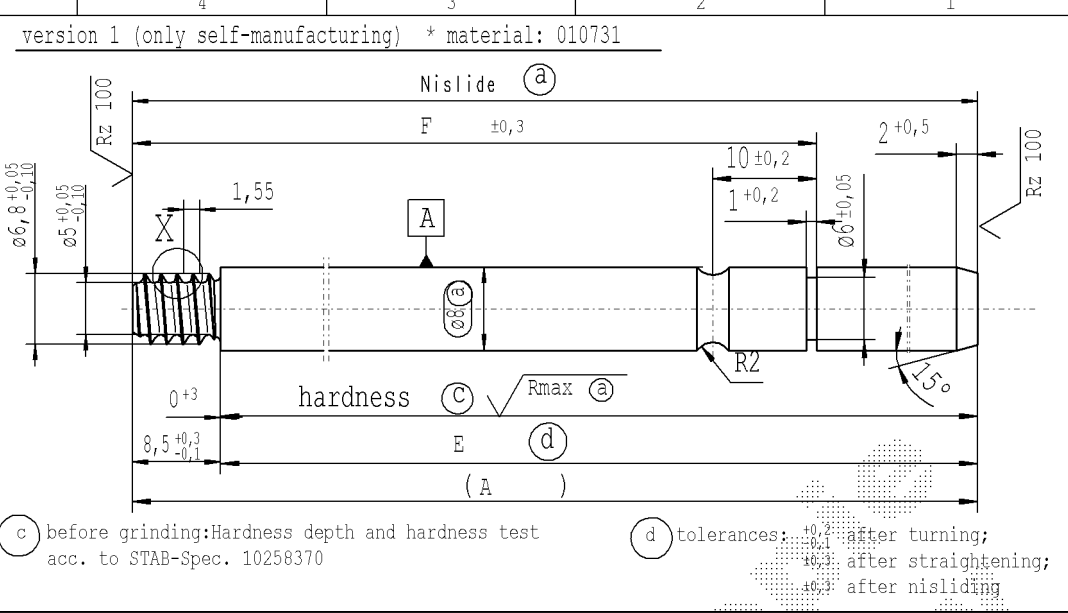


The print-out is not subject to the modification service.

Intended for internal and supplier use

Ident. Doc.: E:\stabilus\docnum: 5/18/2020 - 11:58

supp No.	material no.			A	E	F
	10006248 Tab. IV version 1	10006248 Tab. X version 1	10028959 Tab. I version 2	overall length	length without endfitting stud	length to groove end
1		606615	606615	235	226.5	132
2		557393	557393	228	219.5	129
		xxxxxxx	xxxxxxx	351	342.5	192.5



DE: X				EN: X				ES: X				IT: X				PR: X				FR: X				RO: X															
CRD created document; handwritten changes not permitted																				Material: *				All dimensions are in mm				Marking of special characteristics according to STAB-Spec. 10270932				Date				Name			
new		position of angle 5° corrected; 8,5 $\pm 0,1$		© = acc. STAB-Spec. 10258370		2019/0882		new format Internal/Supplier		Edge tolerances acc. to DIN ISO 13715				Scale: (Original DIN A3) 2:1				Dimensions without tolerances DIN ISO 2768-mK				Drawn by				Date				Name									
old		wrong position of angle 5°; (8,5)		© = RHT 0,4 ... 0,7 mm		2018/xxxx		Supplier drawing separately		Surface finish: DIN EN ISO 1302				We reserve all rights to this document, to any patents or patent registrations related hereto, and to the duplication, retransmission by third parties and misc. use. Any use of this document is not permitted without the written consent of STABILUS.				Checked				30.06.2020				Klinkner													
Field		B-C/1-3; D/4		B8		B6		-		Reguliertes:				Document No.:				10249121				Material No.:																	
Date/Name		15.03.2019 Hein		24.04.2019 Höfer		17.06.2020 Höfer		30.06.2020 Höfer		STABILUS				PISTON ROD																									
Chg. No.		676120		678037		689162		689714																															
Rev.		6		7		8		9																															