

The print-out is not subject to the modification service.

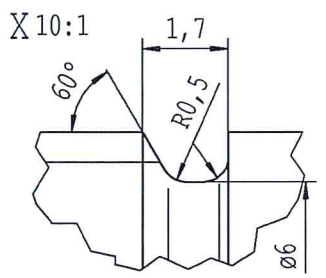
Intended for internal and supplier use

EN

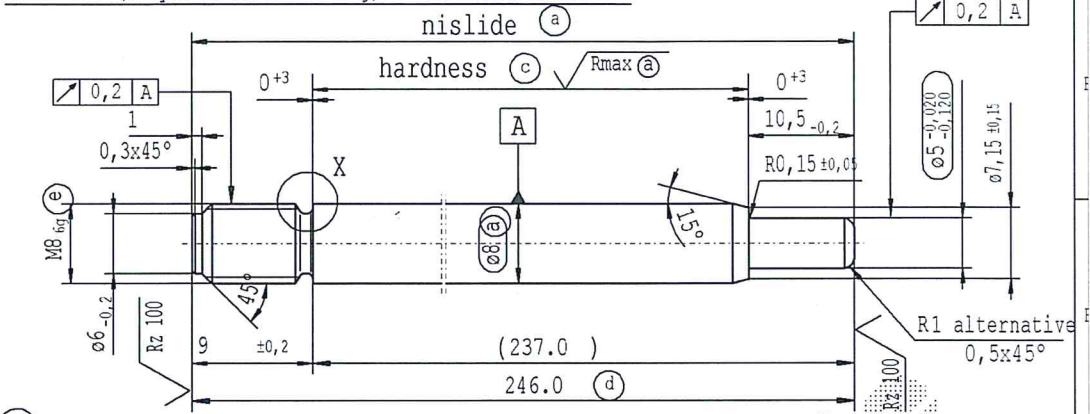
serealidatam: 12/10/2020 - 8:17

Ident. Doc.:

No.	material no.			A overall length	B thread length	E length without end-fitting stud
	processing and surface treatment acc. to STAB-Spec.					
	10006248 Tab. IV version 1	10006248 Tab. X version 1	10028959 Tab. I version 2			
21	255054	255054	255054	303.0	9	294.0
22	183594	183594	183594	237.0	10	227.0
23	235457	235457	235457	234.0	9	225.0
24	436695	436695	436695	234.0	10	224.0
25	977076	977076	977076	294.0	9	285.0
26	899641	899641	899641	339.0	9	330.0
27	036613	036613	036613	333.0	9	324.0
28	261512	261512	261512	270.0	9	261.0
29	417101	417101	417101	270.0	11	259.0
30	559306	559306	559306	246.0	9	237.0

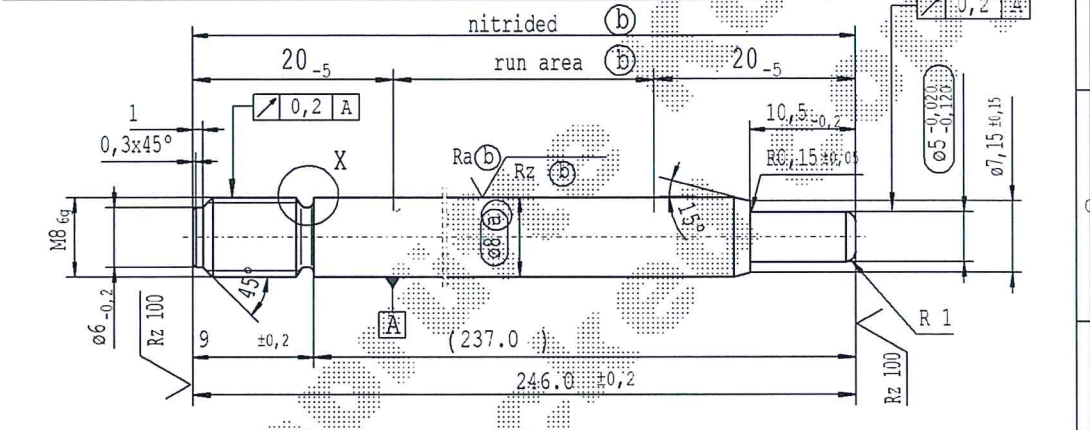


version 1 (only self-manufacturing) * material: 010731



- (c) before grinding: Hardness depth and hardness test acc. to STAB-Spec. 10258370
- (d) tolerances: $\pm 0,2$ after turning, $\pm 0,3$ after straightening, $\pm 0,3$ after nisliding
- (e) threaded stud rough-turned dim. $\phi 7,14_{-0,06}$, thread roll tolerance 6e, thread tolerances acc. to DIN ISO 965-3

version 2 (only external production) * material: 1.1193 S45C JISG 4051



thread tolerances acc. to DIN ISO 965-3 approved lengths: 50-600 mm

$\sqrt{Rz 25}$ ($\sqrt{Rz 100}$ $\sqrt{Rmax (a)}$ $Ra (b)$ $\sqrt{Rz (b)}$) $\downarrow +0,2$ $\downarrow -0,2$

sheet 2
of 2

DE: X EN: X ES: IT: PR: FR: RO: X				CAD created document handwritten changes not permitted				Material: *				All dimensions are in mm				Marking of special characteristics according to STAB-Spec. 10270932				Date: 17.01.2008		Name: Höfer	
new approved lengths: 90-600 mm				© = acc. STAB-Spec. 10258370				new format Internal/Supplier				Scale: (Original DIN A3) 2:1				Dimensions without tolerances DIN ISO 2768-mk				Checked by: 15.07.2020		Klinkner	
old approved lengths: 90-400 mm				© = RHT 0,4 ... 0,7 mm				Supplier drawing separately				Edge tolerances acc. to DIN ISO 13715				We reserve all rights to this document, to any patents or patent registrations related hereto, and to the duplication, retransmission by third parties and sim. use. Any use of this document is not permitted without the written consent of STABILUS.				Document No.: 10152007			
Field: D/4-5				B 4-5				-				Surface finish: DIN EN ISO 1302				Material No.:							
Date/Name: 24.11.2015 Hein				15.05.2019 Donat				14.07.2020 Höfer				Replaces:				PISTON ROD							
Chg. No.: 630576				678703				690131				STABILUS											
Rev.: 6				6				7															