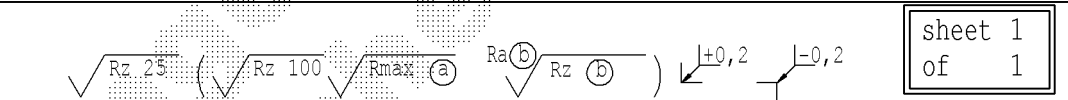
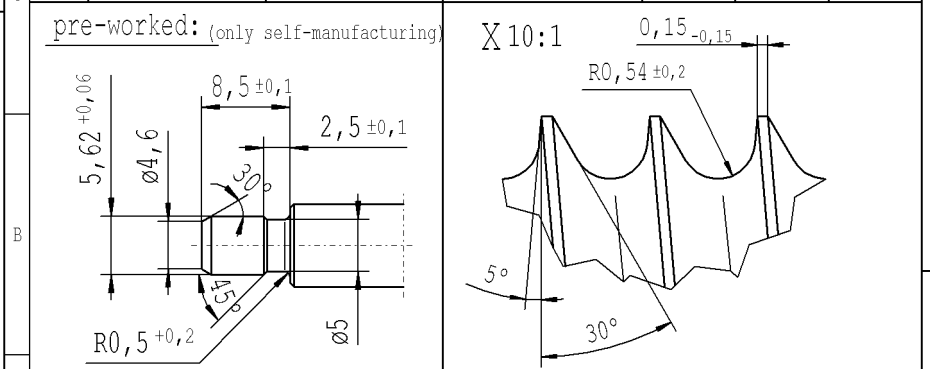
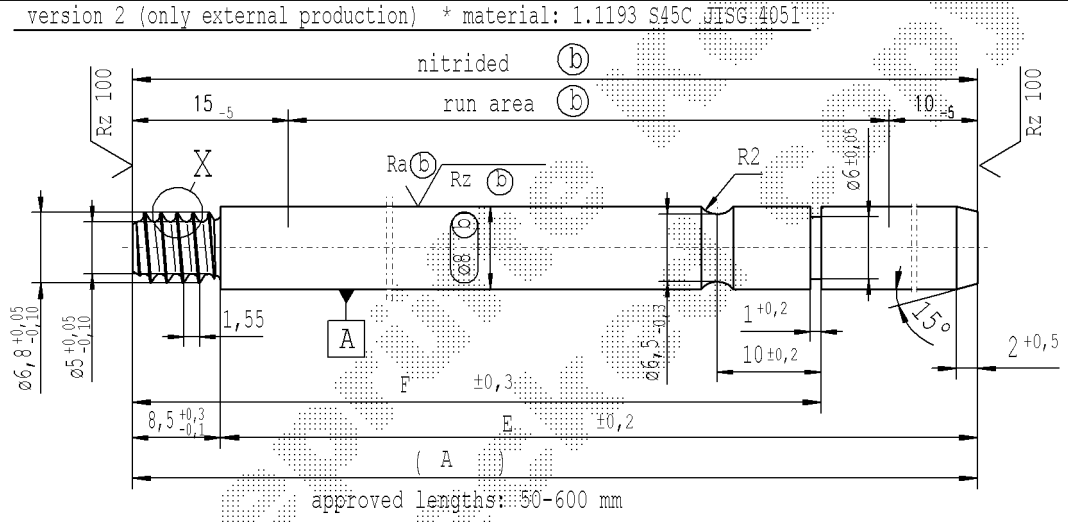
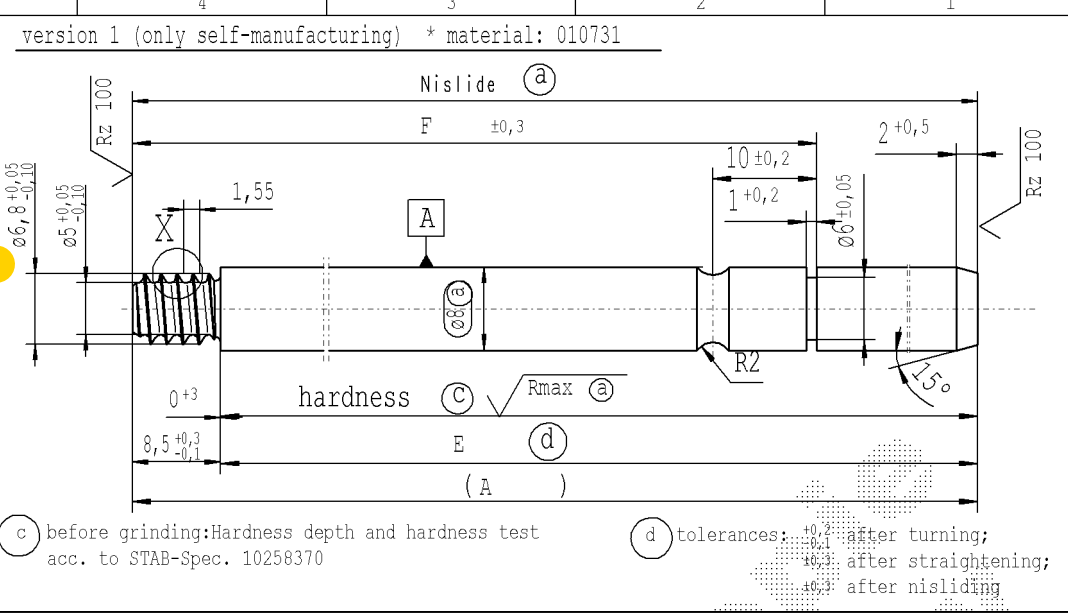


The print-out is not subject to the modification service.

Intended for internal and supplier use

Ident. Doc.: E:\stabil\docnum: 5/18/2020 - 11:58

supp No.	material no.			A	E	F
	processing and surface treatment acc. to STAB-Spec. 10006248 Tab. IV version 1	10006248 Tab. X version 1	10028959 Tab. I version 2	overall length	length without endfitting stud	length to groove end
1	(a)	(a)	(b)	235	226.5	132
2	(a)	(a)	(b)	228	219.5	129
	xxxxxx	xxxxxx		347	338.5	191



sheet 1 of 1

DE: X				EN: X				ES: IT: PR: FR: RO: X				Material: *				Environmental protection acc. to STAB-Spec. 10005649							
new position of angle 5° corrected; 8,5 +0,3 -0,1				old wrong position of angle 5°; (8,5)				CRD created document; handwritten changes not permitted				All dimensions are in mm				Marking of special characteristics according to STAB-Spec. 10270932							
Field B-C/1-3; D/4				Date/Name 15.03.2019 Hein				Material: acc. to DIN ISO 13715				Scale: (Original DIN A3) 2:1				Dimensions without tolerances DIN ISO 2768-mK							
Data/Name 24.04.2019 Höfer				Chg. No. 676120				Material: acc. to DIN EN ISO 1302				We reserve all rights to this document, to any patents or patent registrations related hereto, and to the duplication, retransmission by third parties and misc. use. Any use of this document is not permitted without the written consent of STABILUS.				Document No.: 10249121							
Rev. 6				Rev. 7				Rev. 8				Rev. 9				Material No.:							
ATAG CQI-standards acc. to STAB-Spec. 10027692												PISTON ROD											

**STABILUS**