

The print-out is not subject to the modification service.

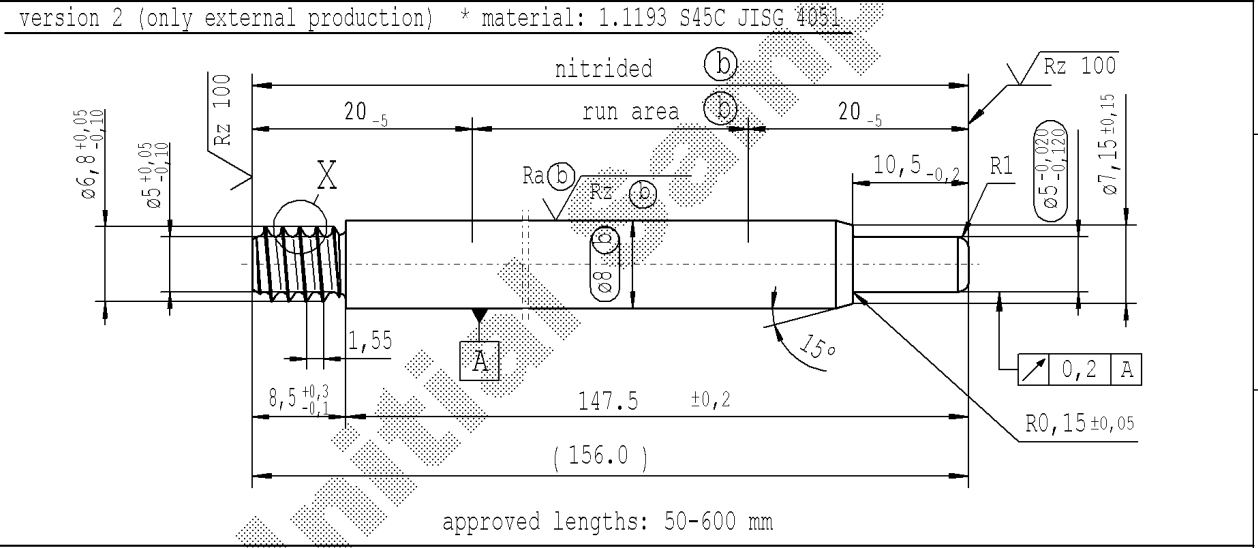
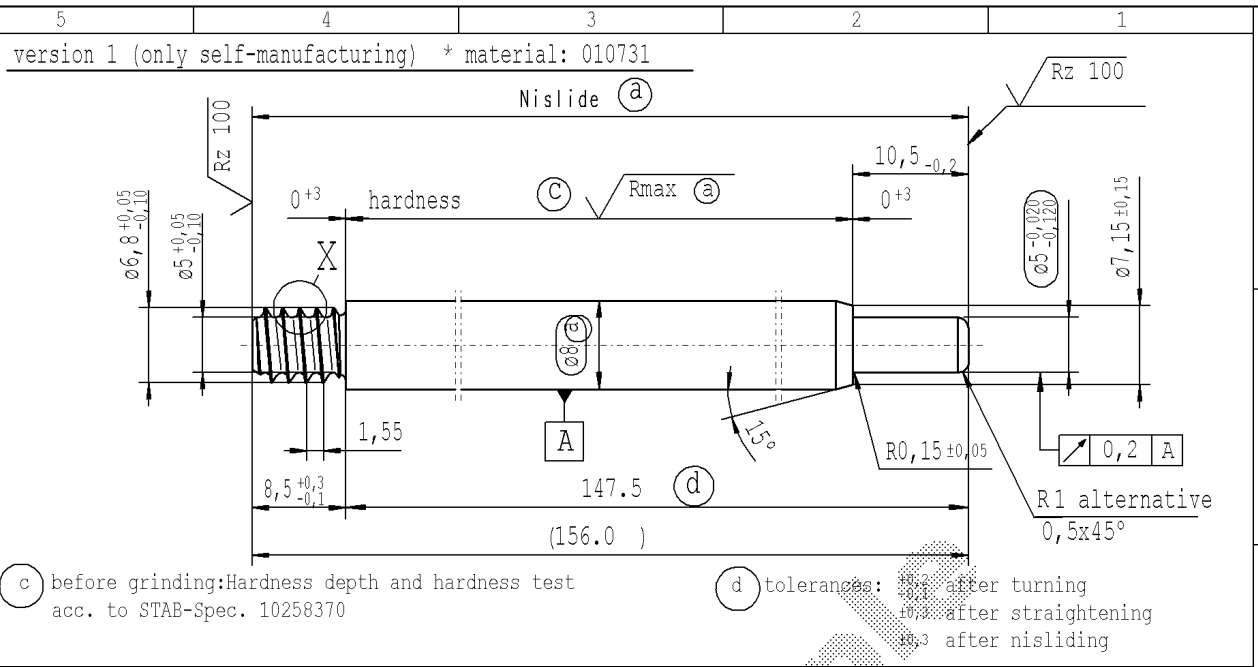
Intended for internal and supplier use

EN

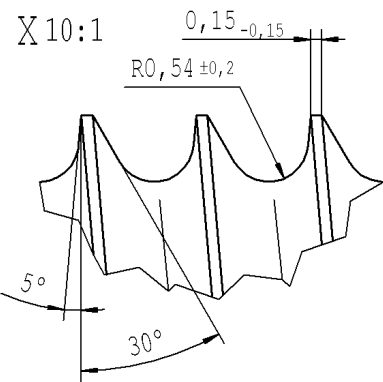
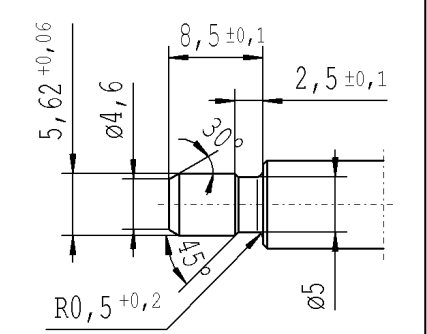
Ident. Doc.:

Date/Name

supp No.	material no.		A overall length	E length without endfitting stud
	processing and surface treatment acc. to STAB-Spec. 10006248 Tab.XVI			
	(a) version 1	(b) version 2		
39	198641	198641	205.5	197.0
40	198880	198880	246.0	237.5
41	199836	199836	294.0	285.5
42	200075	200075	191.0	182.5
43	200314	200314	330.0	321.5
44	200553	200553	147.0	138.5
45	200792	200792	264.0	255.5
46	201031	201031	165.0	156.5
47	201270	201270	397.5	389.0
48	201509	201509	263.0	254.5
49	201748	201748	156.0	147.5
50	202226	202226	378.0	369.5
51	129579	129579	267.0	258.5
52	685255	685255	303.0	294.5
53	202943	202943	168.0	159.5
54	203182	203182	207.0	198.5
55	203421	203421	299.0	290.5
56	203660	203660	181.0	172.5
57	203899	203899	354.5	346.0



pre-worked: (only self-manufacturing)



AIAG CQI-standards acc. to STAB-Spec. 10027692					Environmental protection acc. to STAB-Spec. 10005649											
DE: X	EN: X	ES:	IT:	PR:	FR:	RO: X	CAD created document handwritten changes not permitted			Material: *	All dimensions are in mm		Marking of special characteristics according to STAB-Spec. 10270932		Date	Name
new	c = acc. STAB-Spec. 10258370		Rifa/HEF	Rifa intern	Rifa intern	new format Internal/Gasfedern					Scale: (Original DIN A3) 2:1		Dimensions without tolerances DIN ISO 2768-mK		Drawn by	Höfer
old	⊙ = RHT 0,4 ... 0,7 mm		Rifa	-	Rifa/HEF	Supplier drawing separately				Edge tolerances acc. to DIN ISO 13715			Checked	05.06.2020	Klinkner	
Field	B 5-6		Tab.	Tab.	-	-				Surface finish	DIN EN ISO 1302		Document No.:		10242718	
Date/Name	08.05.2019 Höfer		15.07.2019 Höfer		11.02.2020 Höfer		05.06.2020 Höfer			Replaces:			Material No.:			
Chg. No.	678170		680271		685321		687981									
Rev.	3		4		5		6			STABILUS	PISTON ROD					

sheet 3 of 7