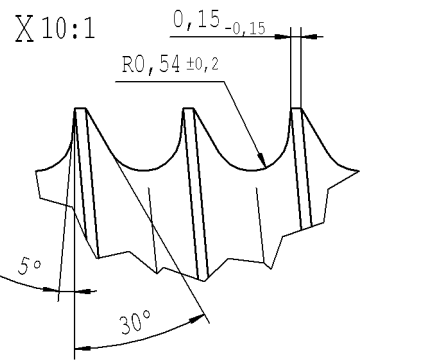
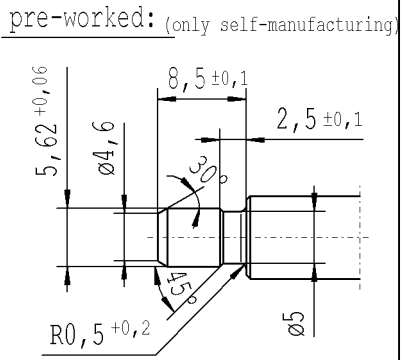
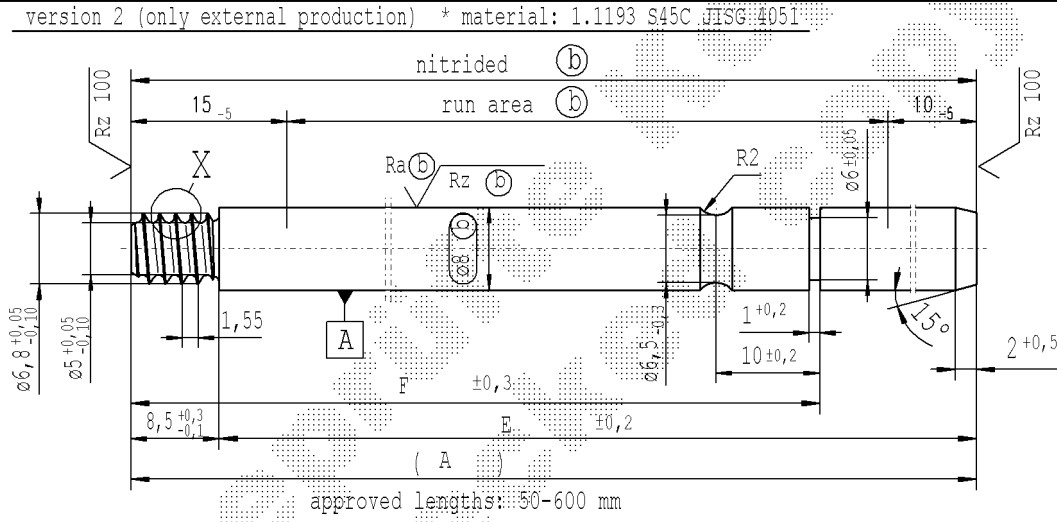
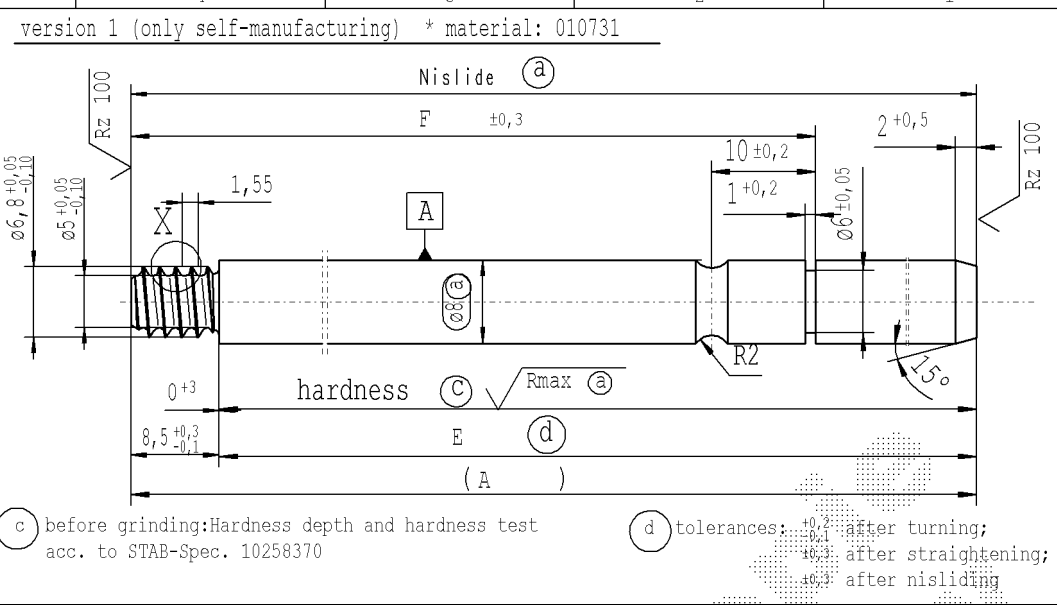


The print-out is not subject to the modification service.

Intended for internal and supplier use

Ident. Doc.:

supp. No.	material no.			A	E	F
	10006248 Tab. IV version 1	10006248 Tab. X version 1	10028959 Tab. I version 2	overall length	length without endfitting stud	length to groove end
1	606615	606615	606615	235	226.5	132
2	557393	557393	557393	228	219.5	129
	xxxxxx	xxxxxx	xxxxxx	191	182.5	104



sheet 1 of 1

DE: X				EN: X				ES:				IT:				PR:				FR:				RO: X				AIAG CQI-standards acc. to STAB-Spec. 10027692				Environmental protection acc. to STAB-Spec. 10005649			
new		position of angle 5° corrected; 8,5 ± 0.1		Ⓢ = acc. STAB-Spec. 10258370		2019/0882		new format Internal/Supplier		Material:		All dimensions are in mm		Marking of special characteristics according to STAB-Spec. 10270932		Date		Name																	
old		wrong position of angle 5°; (8,5)		Ⓢ = RHT 0,4 ... 0,7 mm		2018/xxxx		Supplier drawing separately		Edge tolerances acc. to DIN ISO 13715		Scale: (Original DIN A3) 2:1		Dimensions without tolerances DIN ISO 2768-mK		Checked		Klinkner																	
Field		B-C/1-3; D/4		B8		B6		-		Surface finish: DIN EN ISO 1302		We reserve all rights to this document, to any patents or patent registrations related hereto, and to the duplication, retransmission by third parties and misc. use. Any use of this document is not permitted without the written consent of STABILUS.		Document No.:		10249121		Material No.:																	
Date/Name		15.03.2019 Hein		24.04.2019 Höfer		17.06.2020 Höfer		30.06.2020 Höfer		Registries:		STABILUS		PISTON ROD																					
Chg. No.		676120		678037		689162		689714																											
Rev.		6		7		8		9																											