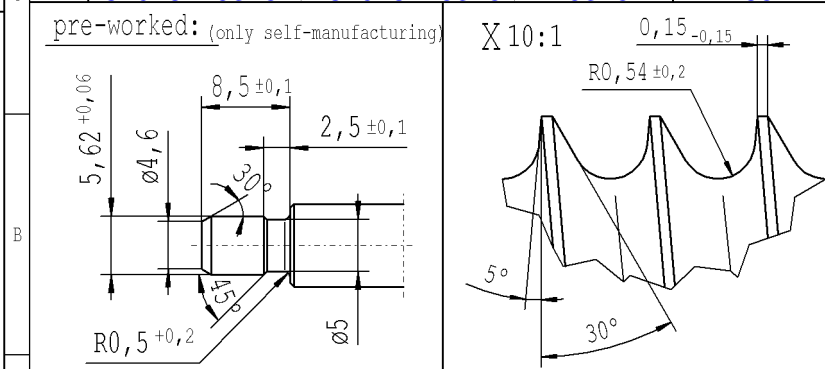
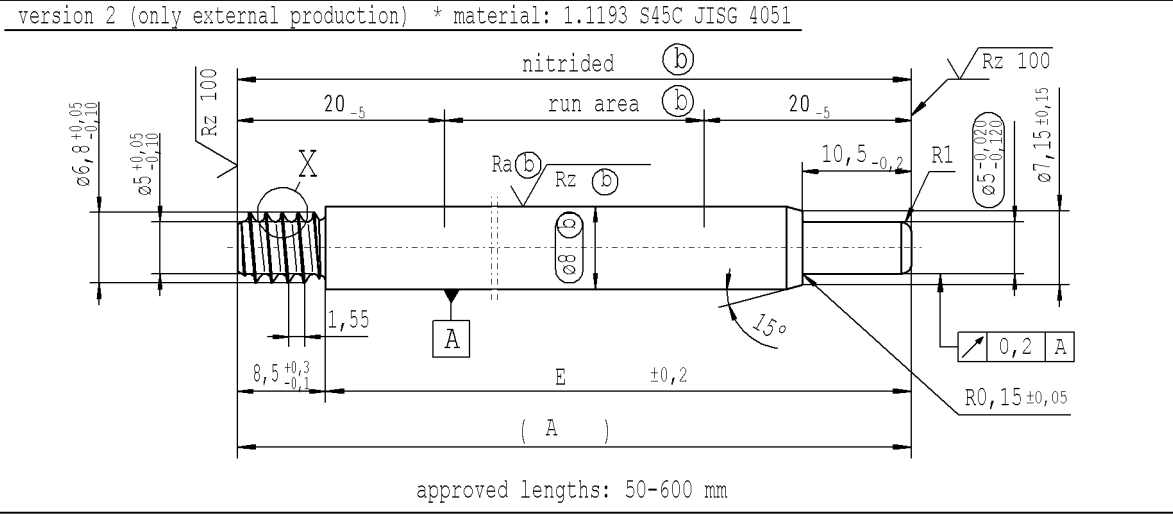
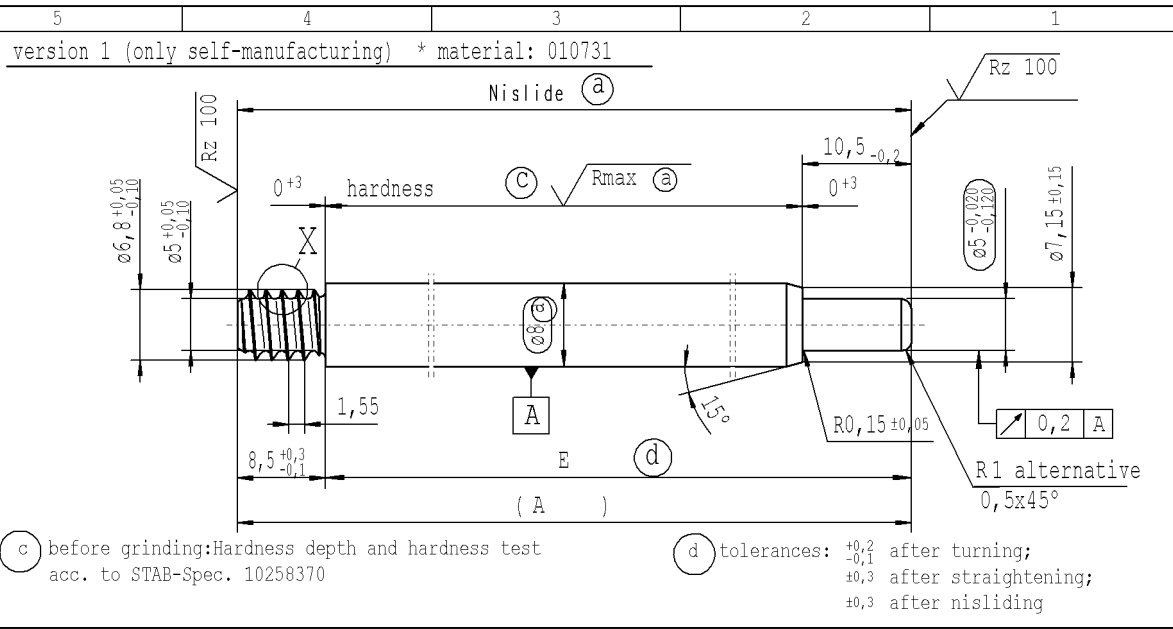


The print-out is not subject to the modification service.

Intended for internal and supplier use

Ident. Doc.: ERF011.dwg; 7/7/2020 - 11:58

supp No.	material no.		A	E
	processing and surface treatment acc. to STAB-Spec. 10006248 Tab.XVI			
	(a)	(b)		
	version 1	Gasfedern/intern	overall length	length without endfitting stud
		version 2		
116	793519	793519	339.0	330.5
117	285884	285884	285.0	276.5
118	539224		372.0	363.5
119	745242	745242	195.0	186.5
120	276564	276564	162.0	153.5
121	274415	274415	351.0	342.5
122	685494	685494	270.0	261.5
123	685733	685733	225.0	216.5
124	685972	685972	288.0	279.5
125	686450	686450	240	231.5
126	202465		267.0	258.5
127	202704		303.0	294.5
128	679518	679518	192.0	183.5
129	686928	686928	255.0	246.5
130	679757	679757	234.0	225.5
131	687167	687167	372.0	363.5
132	981617	981617	222.0	213.5
133	199371	199371	171.0	162.5
XX	STCN8*193.5	STCN8*193.5	193.5	185



DE: X							EN: X							ES: X							IT: X							PR: X							FR: X							RO: X							Material: *							All dimensions are in mm							Marking of special characteristics according to STAB-Spec. 10270932							Date: 10.03.2017							Name: Höfer						
new							c = acc. STAB-Spec. 10258370							Rifa/HBF							Rifa intern							Rifa intern							new format Internal/Gasfedern							Edge tolerances acc. to DIN ISO 13715							Scale: (Original DIN A3) 2:1							Dimensions without tolerances DIN ISO 2768-mK							Checked: 05.06.2020							Klinkner													
old							⊙ = RHT 0,4 ... 0,7 mm							Rifa							-							Rifa/HBF							Supplier drawing separately							Surface finish DIN EN ISO 1302							We reserve all rights to this document, to any patents or patent registrations related hereto, and to the duplication, retransmission by third parties and misc. use. Any use of this document is not permitted without the written consent of STABILUS.							Document No.: 10242718							Material No.:																				
Field							B 5-6							Tab.							Tab.							-							Replaces:							STABILUS							PISTON ROD																																		
Date/Name							08.05.2019 Höfer							15.07.2019 Höfer							11.02.2020 Höfer							05.06.2020 Höfer																																																							
Chg. No.							678170							680271							685321							687981																																																							
Rev.							3							4							5							6																																																							

sheet 7 of 7

