

The print-out is not subject to the modification service.

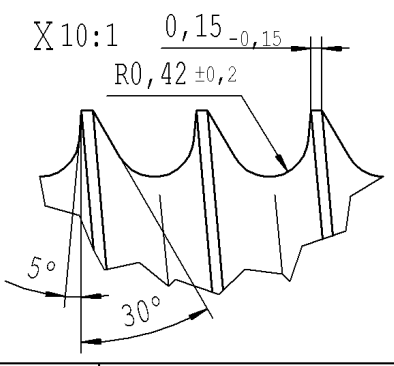
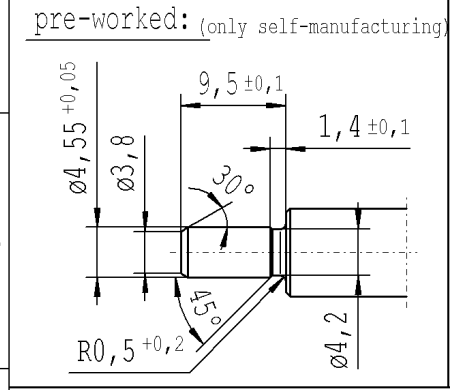
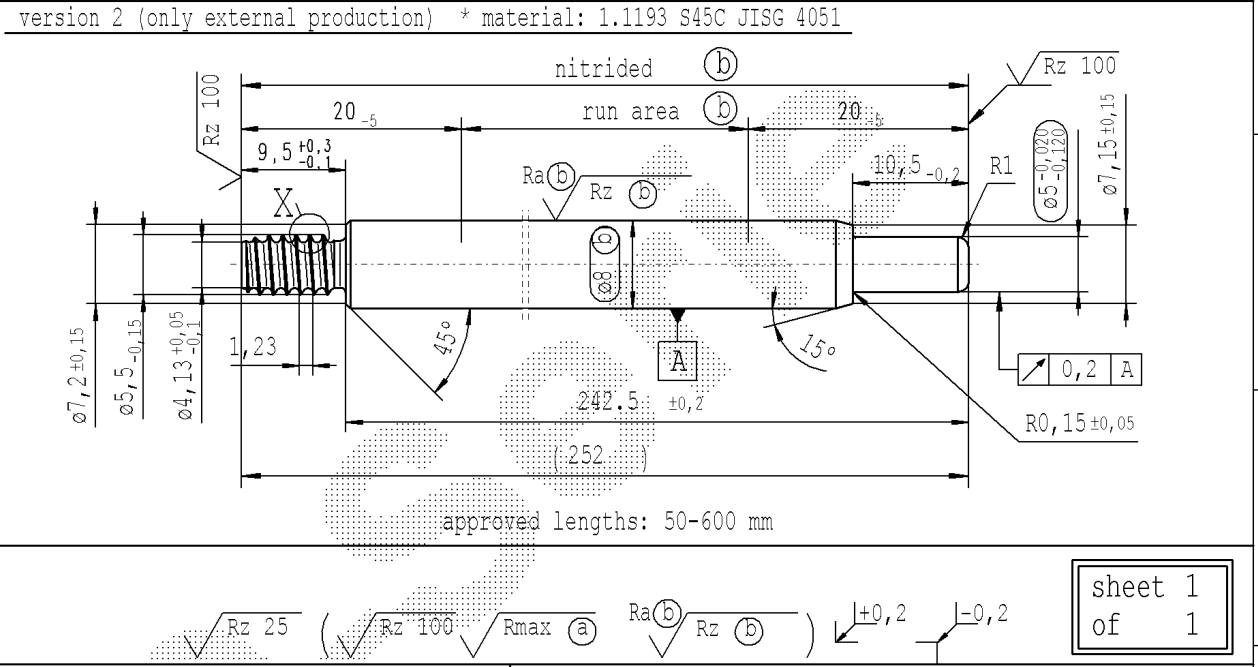
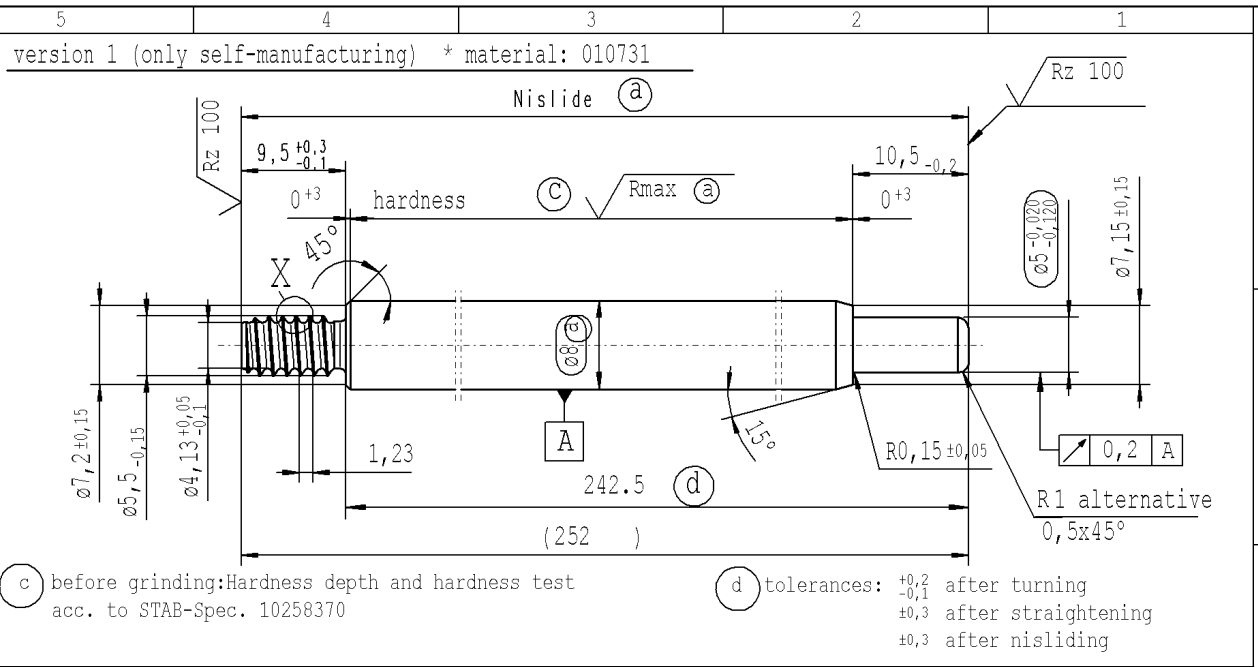
Intended for internal and supplier use

EN

Brevell.datum: 4/12/2020 - 10:43

Ident. Doc.:

supp No.	material no.			A	E
	10006248 Tab. IV (a) version 1	10006248 Tab. X (a) version 1	10028959 Tab. I (b) version 2	overall length	length without endfitting stud
1	956036	956036	956036	252	242.5
2	956275	956275	956275	255	245.5
3	886968	886968	886968	300	290.5
4	490468	490468	490468	111	101.5
5	111416	111416	111416	192	182.5
6	674504	674504	674504	194	184.5
7	164957	164957	164957	243	233.5



AIAG CQI-standards acc. to STAB-Spec. 10027692				Environmental protection acc. to STAB-Spec. 10005649			
DE: X	EN: X	ES:	IT:	PR: X	FR:	RO: X	CAD created document handwritten changes not permitted
new	INITIAL RELEASE			detail X reworked			Material: *
old	-			-			All dimensions are in mm
Field	-			E-E/5-6			Marking of special characteristics according to STAB-Spec. 10270932
Date/Name	01.06.2018 Höfer	02.04.2019 Hein	24.04.2019 Höfer	30.04.2020 Höfer			Scale: (Original DIN A3) 2:1
Chg. No.	-	677343	678037	687200			Dimensions without tolerances DIN ISO 2768-mK
Rev.	0	1	2	3			We reserve all rights to this document, to any patents or patent registrations related hereto, and to the duplication, retransmission by third parties and misc. use. Any use of this document is not permitted without the written consent of STABILUS.
				Material No.: 10254976			
				Material No.:			
				STABILUS			
				PISTON ROD			

sheet 1 of 1