

The print-out is not subject to the modification service.

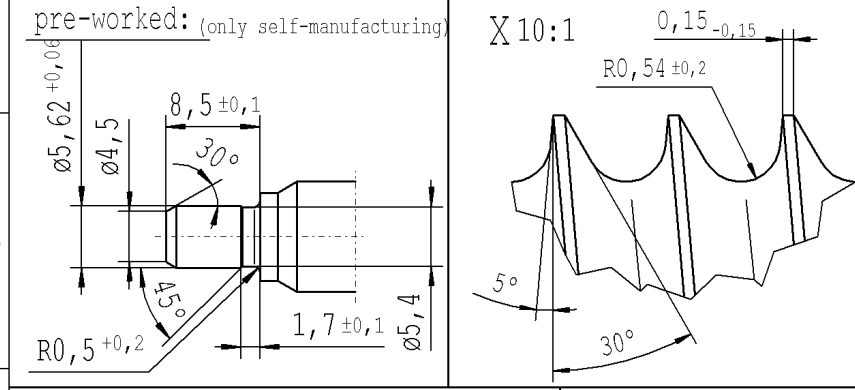
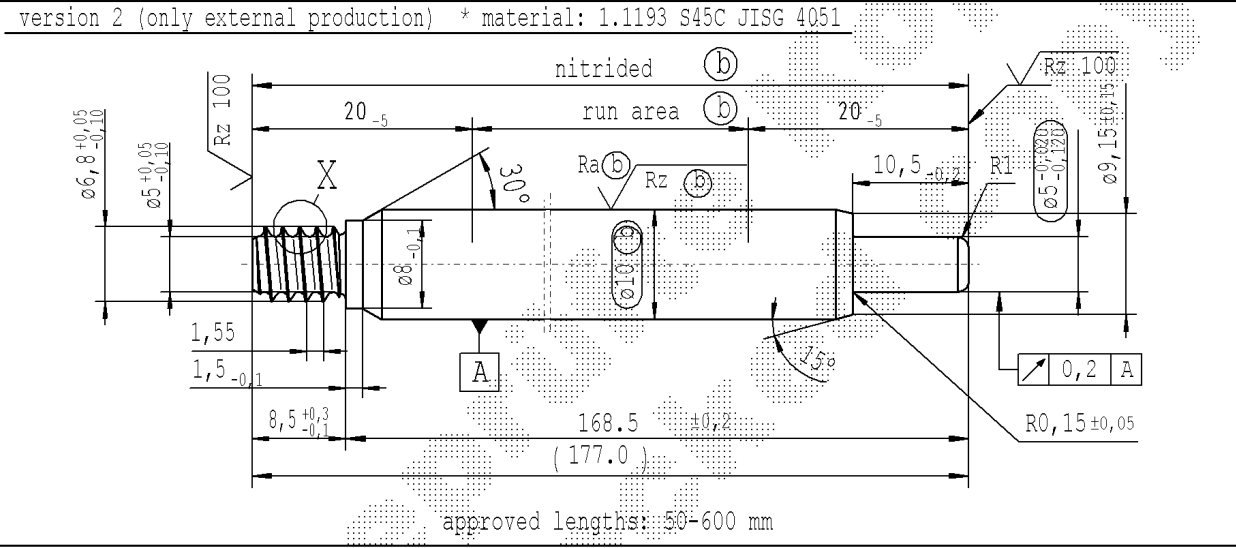
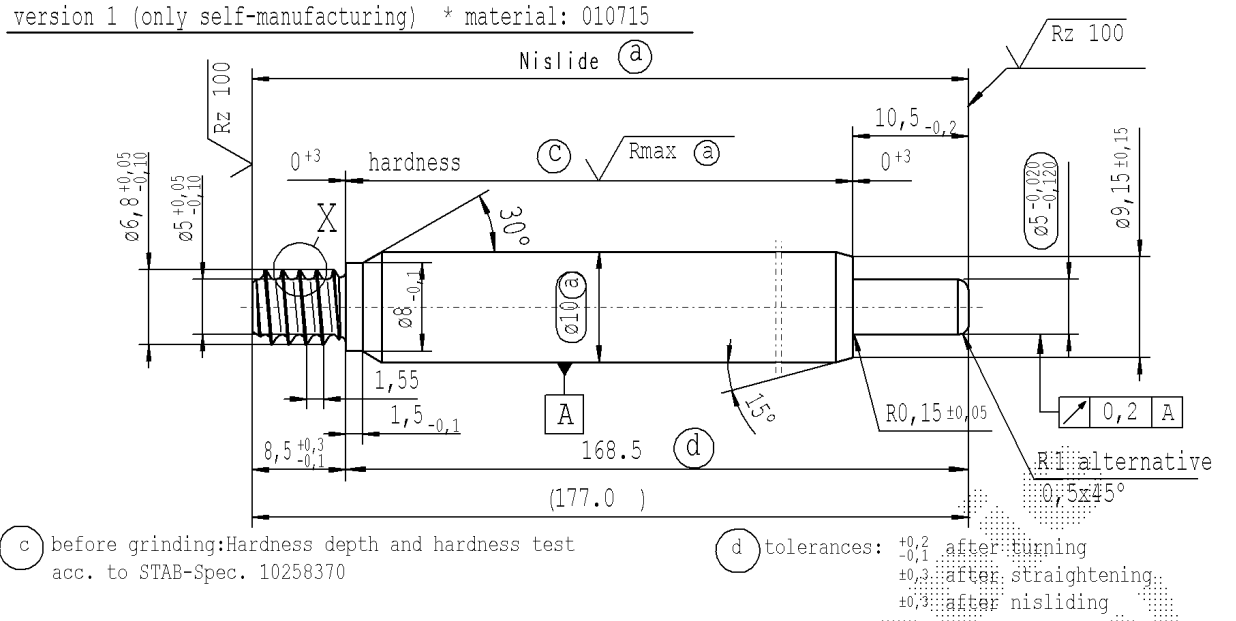
Intended for internal and supplier use

EN

Brevell Datum: 13/12/2021 - 8:22

Ident. Doc.:

supp No.	material no.			A	E
	10006248 Tab. IV (a) version 1	10006248 Tab. X (a) version 1	10028959 Tab. I (b) version 2	overall length	length without endfitting stud
82	777744	777744	777744	270.0	261.5
83	778700	778700	778700	366.0	357.5
84	473259	473259	473259	144.0	135.5
85	492618	492618	492618	132.0	123.5
86		494530	494530	303.0	294.5
87	993562	993562	993562	168.0	159.5
88	154434	154434	154434	213.0	204.5
89	422832	422832	422832	324.0	315.5
90	874306	874306	874306	381.0	372.5
91	937163	937163	937163	255.0	246.5
92	235223	235223	235223	177.0	168.5



AIAG CQI-standards acc. to STAB-Spec. 10027692				Environmental protection acc. to STAB-Spec. 10005649								
DE: X	EN: X	ES:	IT:	PR:	FR:	RO: X	Material: *	All dimensions are in mm	Marking of special characteristics according to STAB-Spec. 10270932	Date	Name	
new	10243571		position of angle 5° corrected	⊙ = acc. STAB-Spec. 10258370		new format Internal/Supplier		Scale: (Original DIN A3) 2:1	Dimensions without tolerances DIN ISO 2768-mK	Drawn by	17.12.2007	chein
old	Rifa	661579	wrong position of angle 5°	⊙ = RHT 0,4 ... 0,7 mm		Supplier drawing separately	Edge tolerances acc. to DIN ISO 13715			Checked	02.06.2020	Klinkner
Field	-	Pos. 59	B-C/1-3	B 4-5			Surface finish: DIN EN ISO 1302					
Date/Name	12.04.2017 Höfer		18.03.2019 Hein	15.05.2019 Donat		02.06.2020 Höfer	Replaces:					Document No.: 10151520
Chg. No.	655394		675186	678703		688809						Material No.:
Rev.	10		11	12		13	<b>STABILUS</b>		<b>PISTON ROD</b>			

sheet 5 of 5