

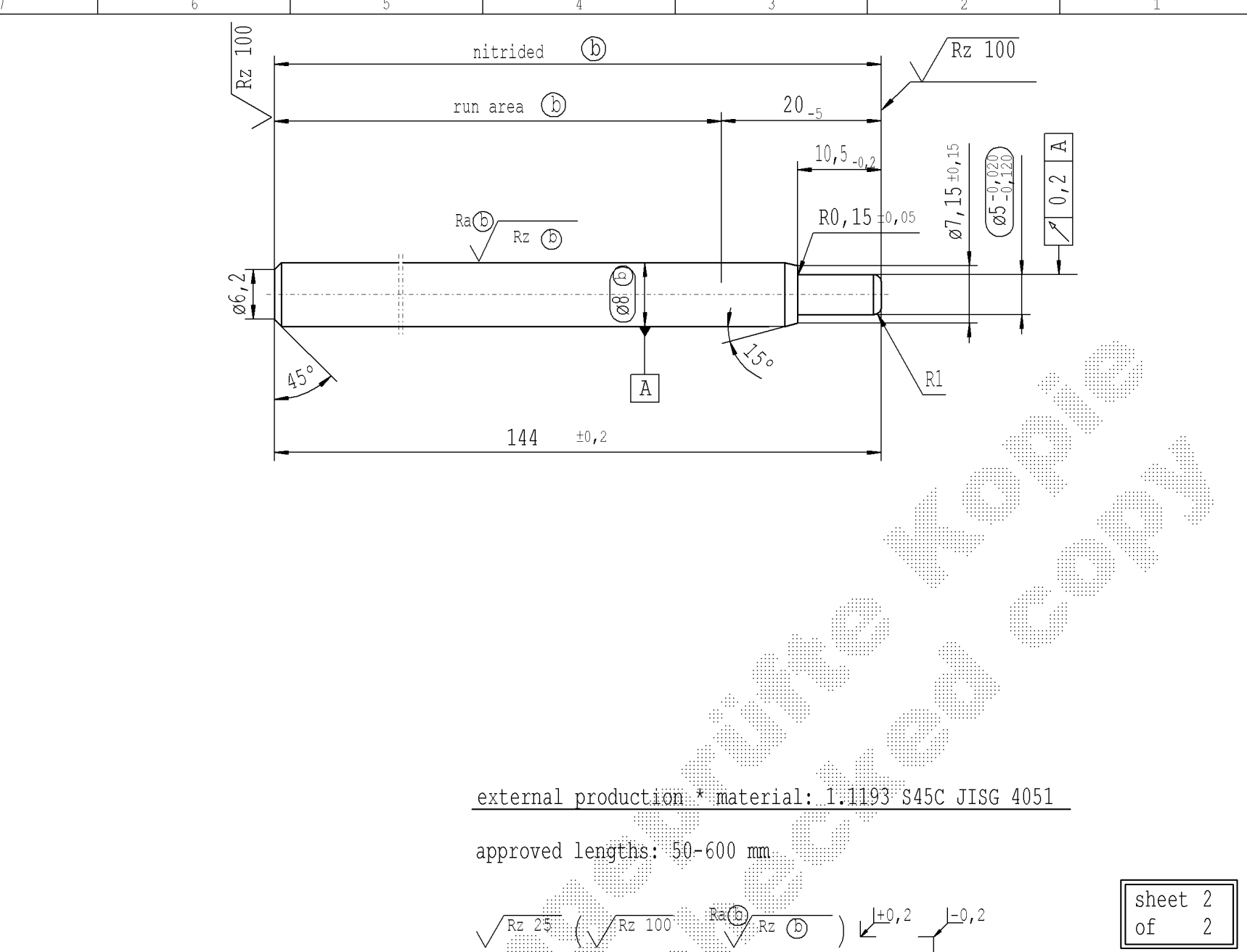
The print-out is not subject to the modification service.

Intended for internal and supplier use

Date: 17/12/2020 - 10:45

Ident. Doc.:

supp. No.	material no.	A
	Surface treatment STAB-Spec. 10028959 Tab.I	overall length
32	190038	156
33	220871	225
34	222544	291
35	223022	159
36	524162	105
37	956514	108
38	568618	96
39	833911	90
40	430241	114
41	060270	135
42	091818	78
43	130297	99
44	309308	261
45	879803	133
46	055493	126
47	090626	111
48	095406	141
49	127195	144



external production * material: 1.1193 S45C JISG 4051

approved lengths: 50-600 mm

sheet 2
of 2

ALAG CQI-standards acc. to STAB-Spec. 10027692				Environmental protection acc. to STAB-Spec. 10005649			
DE: X	EN: X	ES:	IT:	PR:	FR:	RO: X	
new	50-600 mm		revised				
old	100-600 mm		-				
Field	A5		-				
Date/Name	19.07.2018 Höfer	29.08.2018 Jablonski	15.05.2019 Donat	28.07.2020 Höfer			
Chg. No.	670346	671281	678703	690132			
Rev.	6	7	8	9			

STABILUS

PISTON ROD

Material:	*	All dimensions are in mm	Marking of special characteristics according to STAB-Spec. 10270932	Date	Name
Edge tolerance:	acc. to DIN ISO 13715	Scale:	(Original DIN A3) 2:1	25.04.2008	Hein
Surface finish:	DIN EN ISO 1302	Dimensions without tolerances	DIN ISO 2768 mK	28.07.2020	Klinkner
Replaces:		We reserve all rights to this document, to any patents or patent registrations related hereto, and to the duplication, retransmission by third parties and misc. use. Any use of this document is not permitted without the written consent of STABILUS.		Document No.:	
				10154964	
				Material No.:	