

The print-out is not subject to the modification service.

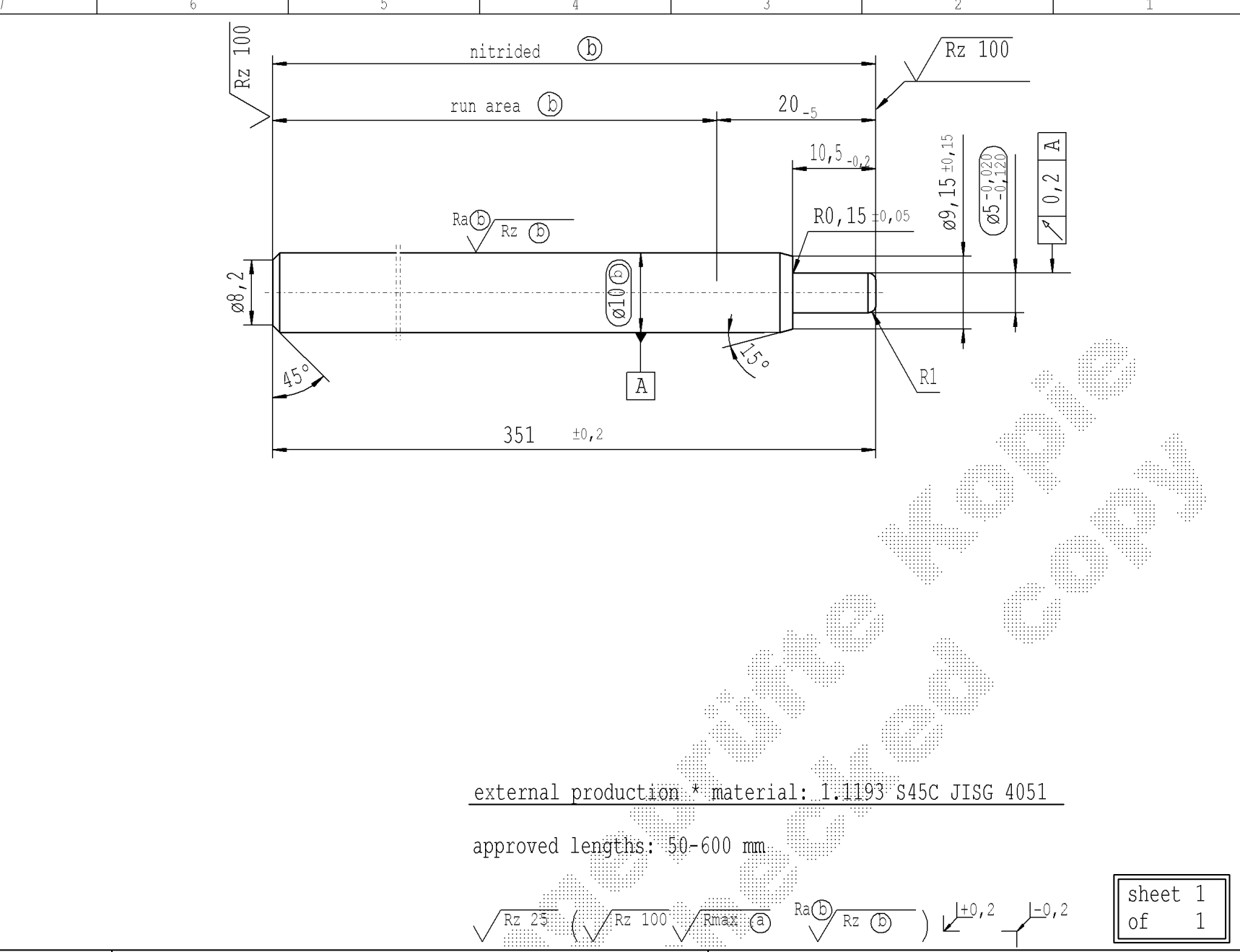
Intended for internal and supplier use

EN

Brevell Datum: 29/07/2020 - 7:8

Ident. Doc.:

supp No.	material no.	A
	Surface treatment STAB-Spec. 10028959 Tab.I	overall length
1	313832	348
2	314788	150
3	315505	450
4	315983	201
5	324826	402
6	327933	300
7	340122	231
8	342034	252
9	342512	234
10	365456	249
11	365934	129
12	373343	117
13	381947	258
14	094432	123
15	827451	276
16	830323	114
17	875972	195
18	597299	270
19	367862	126
20	092774	207
<b>21</b>	<b>480197</b>	<b>351</b>



external production \* material: 1.1193 S45C JISG 4051

approved lengths: 50-600 mm

$\sqrt{Rz 25}$  ( $\sqrt{Rz 100}$   $\sqrt{R_{max}(a)}$   $\sqrt{Ra(b)}$   $\sqrt{Rz(b)}$ )  $\downarrow +0,2$   $\downarrow -0,2$

sheet 1  
of 1

AIAG CQI-standards acc. to STAB-Spec. 10027692					Environmental protection acc. to STAB-Spec. 10005649											
DE: X	EN: X	ES:	IT:	PR:	FR:	RO: X	CAD created document handwritten changes not permitted			Material: *	All dimensions are in mm			Marking of special characteristics according to STAB-Spec. 10270932		
new	revised	product family: 2016/0255			ZhangShi	new format Internal/Supplier				Scale: (Original DIN A3) 2:1			Dimensions without tolerances DIN ISO 2768 mK			
old	-	product family: 2008/0027			China	Supplier drawing separately			Edge tolerances acc. to DIN ISO 13715	We reserve all rights to this document, to any patents or patent registrations related hereto, and to the duplication, retransmission by third parties and misc. use. Any use of this document is not permitted without the written consent of STABILUS.						
Field	-	B/5			B6/F8	-			Surface Finish: DIN EN ISO 1302	Document No.: 10151837						
Date/Name	21.01.2016 Höfer		04.03.2016 Hein		19.04.2017 Höfer		03.06.2020 Höfer			Replaces:	Material No.: PISTON ROD					
Chg. No.	632605		634815		655526		688810			STABILUS						
Rev.	7		8		9		10									