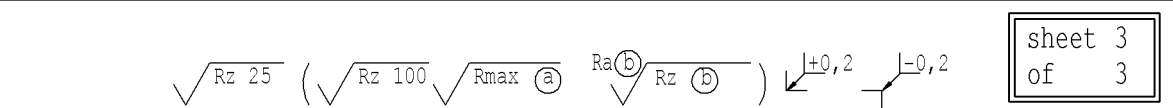
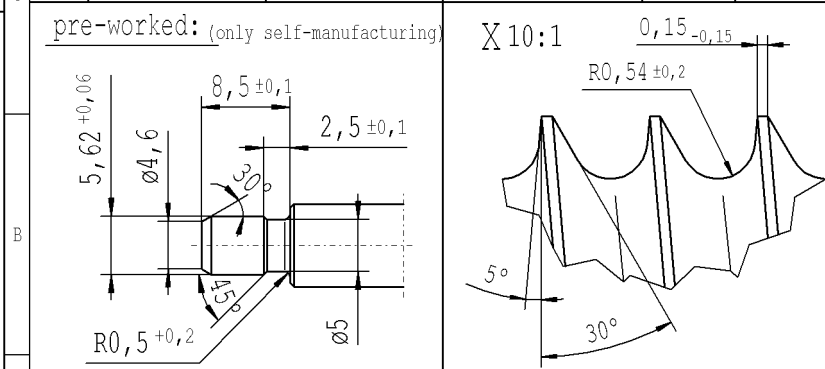
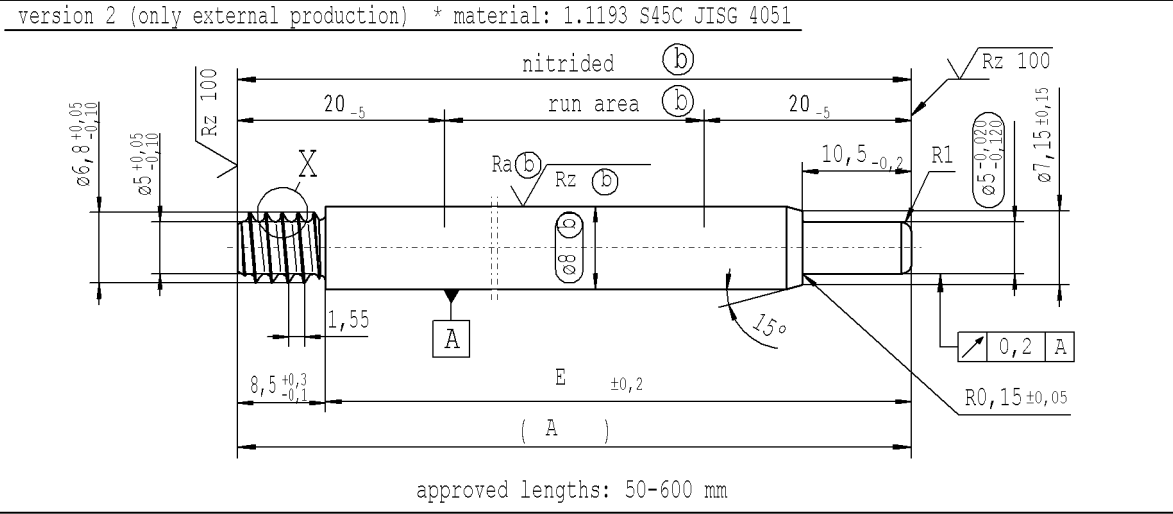
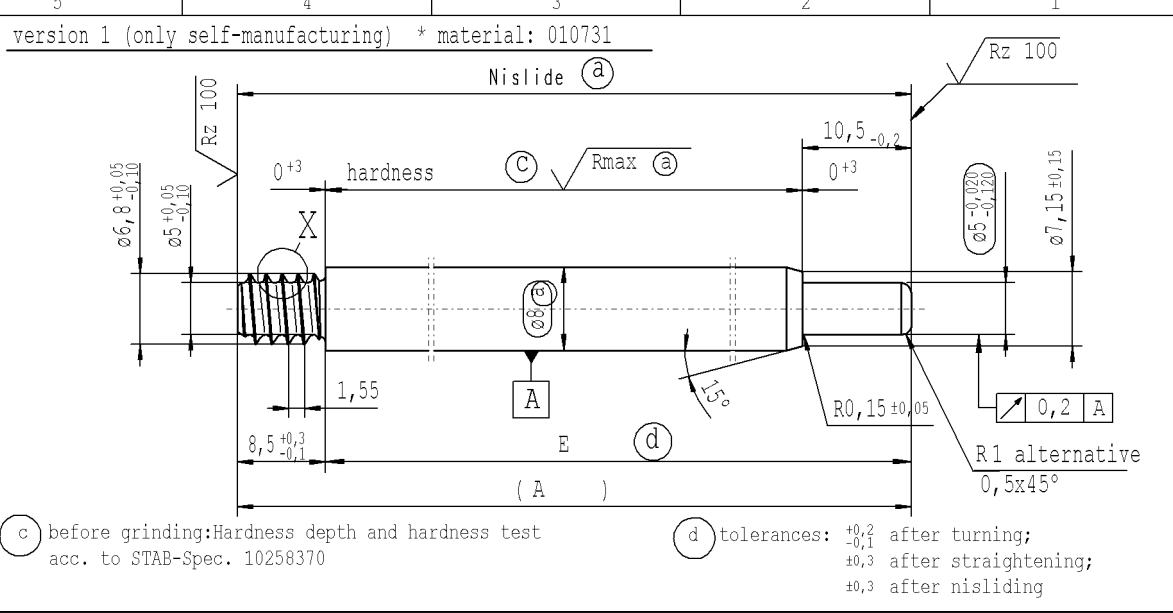


The print-out is not subject to the modification service.

Intended for internal and supplier use

Ident. Doc.: ERPEN11.docx; 10/2/2021 - 9:30

supp No.	material no.		A	E
	processing and surface treatment acc. to STAB-Spec. 10006248 Tab.XVI version 1	10028959 Tab. I version 2	overall length	length without endfitting stud
39	495016	495016	265.0	256.5
40	497406	497406	216.0	207.5
41	500274	500274	198.0	189.5
42	504576	504576	273.0	264.5
43	507683	507683	288.0	279.5
44	732104	732104	279.0	270.5
45	768432	768432	348.0	339.5
46	782055	782055	108.0	99.5
47	789464	789464	276.0	267.5
48	798785	798785	223.0	214.5
49	800458	800458	387.0	378.5
50	801175	801175	250.0	241.5
51	801653	801653	257.0	248.5
52	802848	802848	336.0	327.5
53	808584	808584	135.0	126.5
54	812169	812169	377.0	368.5



sheet 3 of 3

DE: X				EN: X				ES: -				IT: -				PR: X				FR: -				RO: X				Material: *				All dimensions are in mm				Marking of special characteristics according to STAB-Spec. 10270932				Date: 30.03.2017				Name: yamueller			
new				-				new format Internal/Supplier				CRD created document; handwritten changes not permitted				±0,2; no technical change, no new first sample required				Surface finish: DIN EN ISO 1302				Scale: (Original DIN A3) 2:1				Dimensions without tolerances: DIN ISO 2768-mK				Checked: 03.02.2021				Klinkner											
old				Tab IV				Supplier drawing separately				Ⓢ				Edge tolerances acc. to DIN ISO 13715				We reserve all rights to this document, to any patents or patent registrations related hereto, and to the duplication, retransmission by third parties and misc. use. Any use of this document is not permitted without the written consent of STABILUS.				Document No.: 10243257																							
Field				A-F 8				-				B/3				Replaces:				PISTON ROD				Material No.:																							
Date/Name				13.06.2019 Höfer				20.03.2020 Höfer				03.02.2021 Hein				STABILUS																															
Chg. No.				678620				687201				694938																																			
Rev.				4				5				5																																			