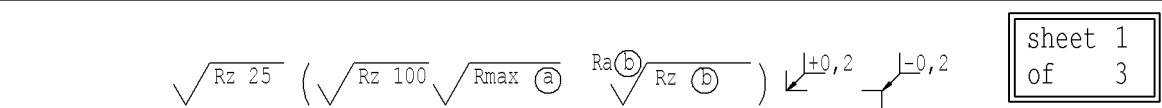
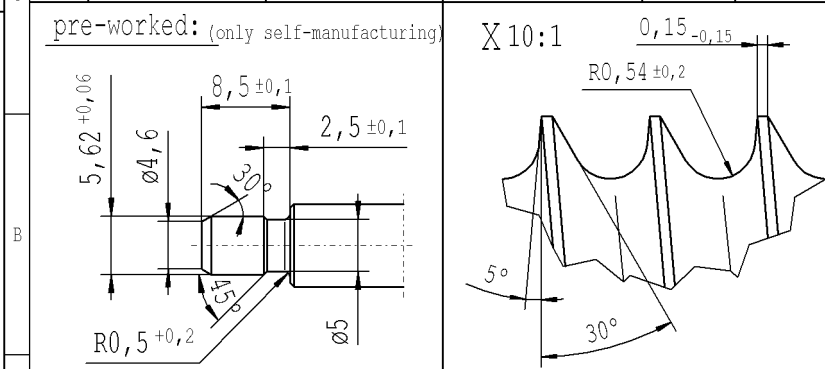
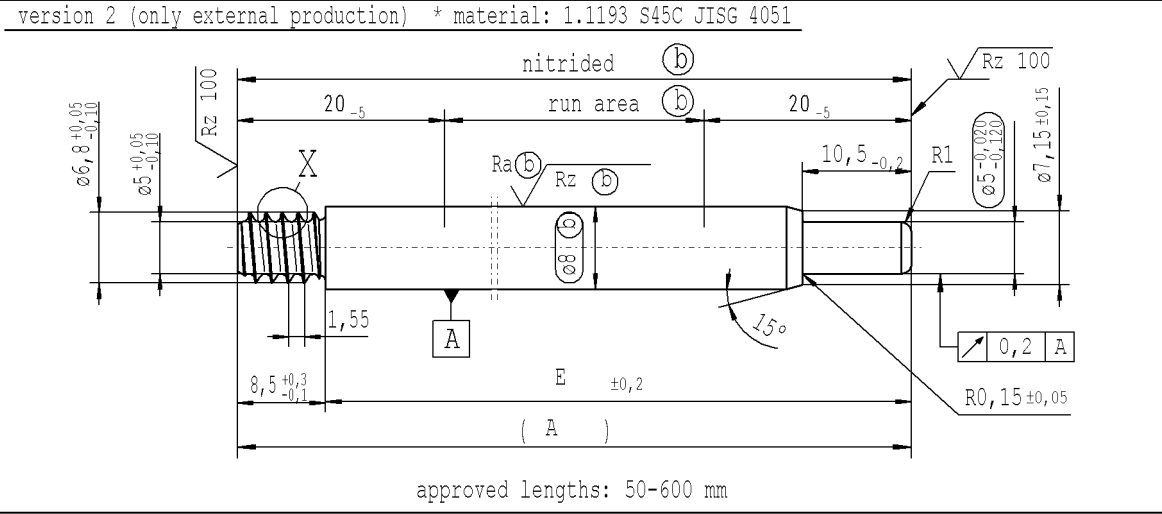
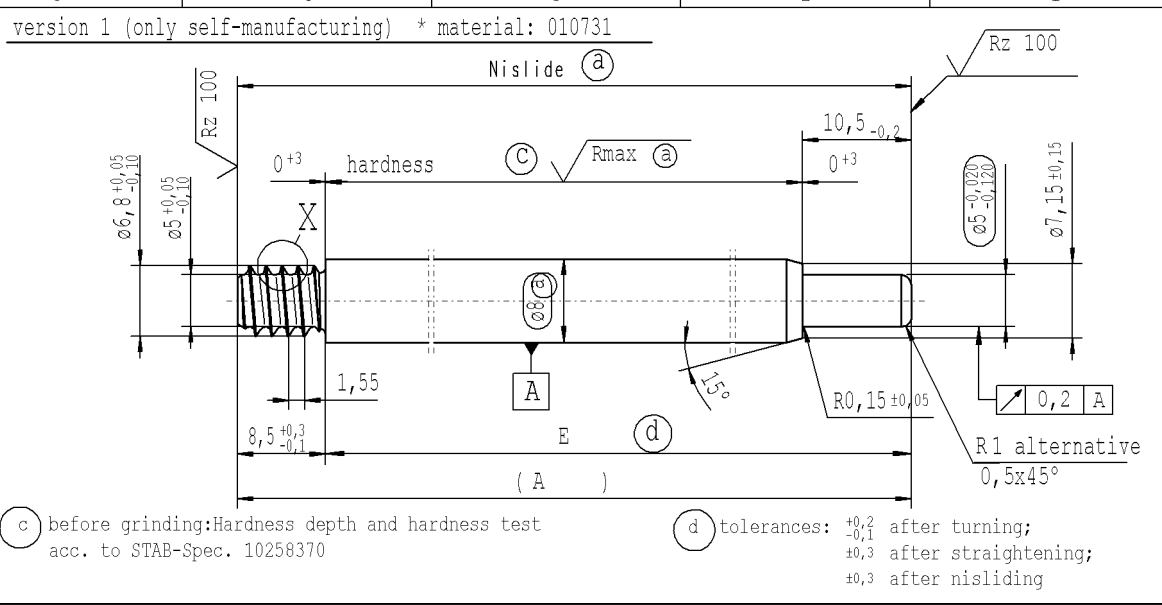


The print-out is not subject to the modification service.

Intended for internal and supplier use

Ident. Doc.: E:\enr\11.docx: 10/2/2021 - 9:30

supp No.	material no.		A	E
	processing and surface treatment acc. to STAB-Spec. 10006248 Tab.XVI version 1	10028959 Tab. I version 2		
1	368808	368808	252.0	243.5
2	349210	349210	241.0	232.5
3	351122	351122	111.0	102.5
4	352556	352556	264.0	255.5
5	384343	384343	246.0	237.5
6	951256	951256	265.5	257.0
7	951495	951495	453.0	444.5
8	951734	951734	163.0	154.5
9	951973	951973	304.0	295.5
10	952690	952690	219.0	210.5
11	952929	952929	378.0	369.5
12	953168	953168	324.0	315.5
13	953646	953646	267.0	258.5
14	953885	953885	144.0	135.5
15	954124	954124	294.0	285.5
16	954363	954363	210.0	201.5
17	954602	954602	189.0	180.5
18	913975	913975	168.0	159.5
19	577704	577704	105.0	96.5



sheet 1  
of 3

DE: X					EN: X					ES: -					IT: -					PR: X					FR: -					RO: X					Material: *					All dimensions are in mm					Marking of special characteristics according to STAB-Spec. 10270932					Date					Name				
new					-					new format Internal/Supplier					CRD created document; handwritten changes not permitted					±0,2; no technical change, no new first sample required					Edge tolerances acc. to DIN ISO 13715					Scale: (Original DIN A3) 2:1					Dimensions without tolerances DIN ISO 2768-mK					Drawn by					Date					Name									
old					Tab IV					Supplier drawing separately					ⓐ					Surface finish DIN EN ISO 1302					We reserve all rights to this document, to any patents or patent registrations related hereto, and to the duplication, retransmission by third parties and misc. use. Any use of this document is not permitted without the written consent of STABILUS.					Checked					03.02.2021					Klinkner																			
Field					A-F 8					-					B/3					Replaces:					Document No.:					10243257					Material No.:																								
Date/Name					13.06.2019 Höfer					20.03.2020 Höfer					03.02.2021 Hein					<b>STABILUS</b>					PISTON ROD																																		
Chg. No.					678620					687201					694938																																												
Rev.					4					5					5																																												