

The print-out is not subject to the modification service.

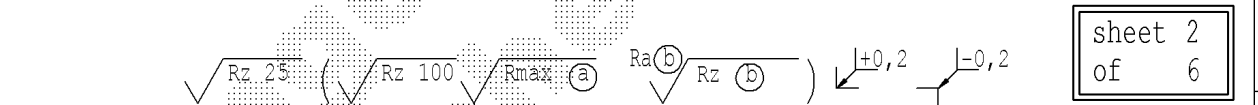
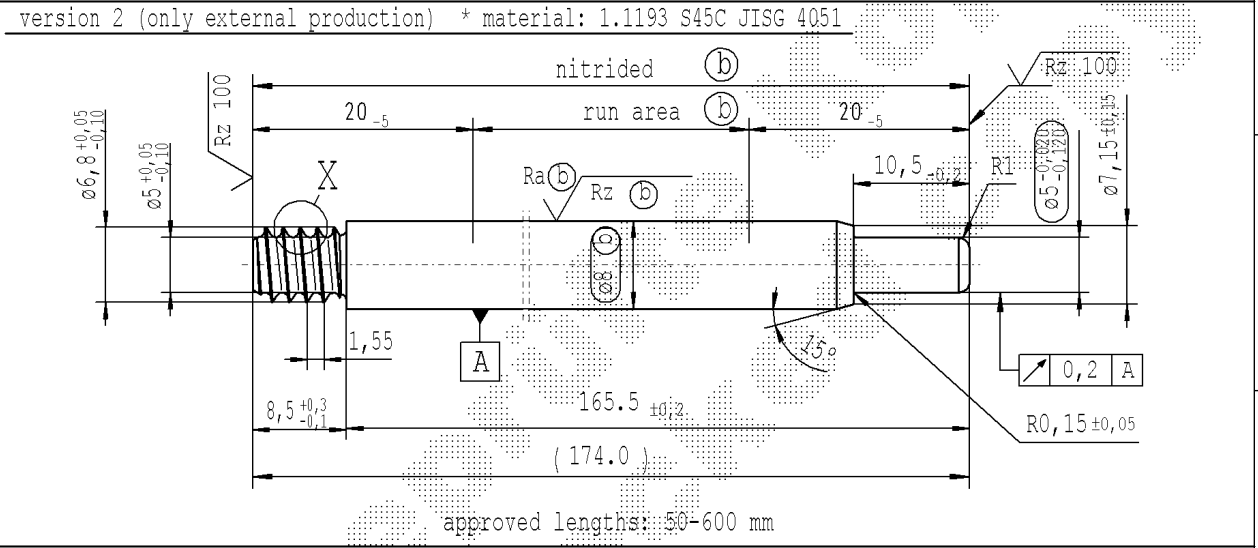
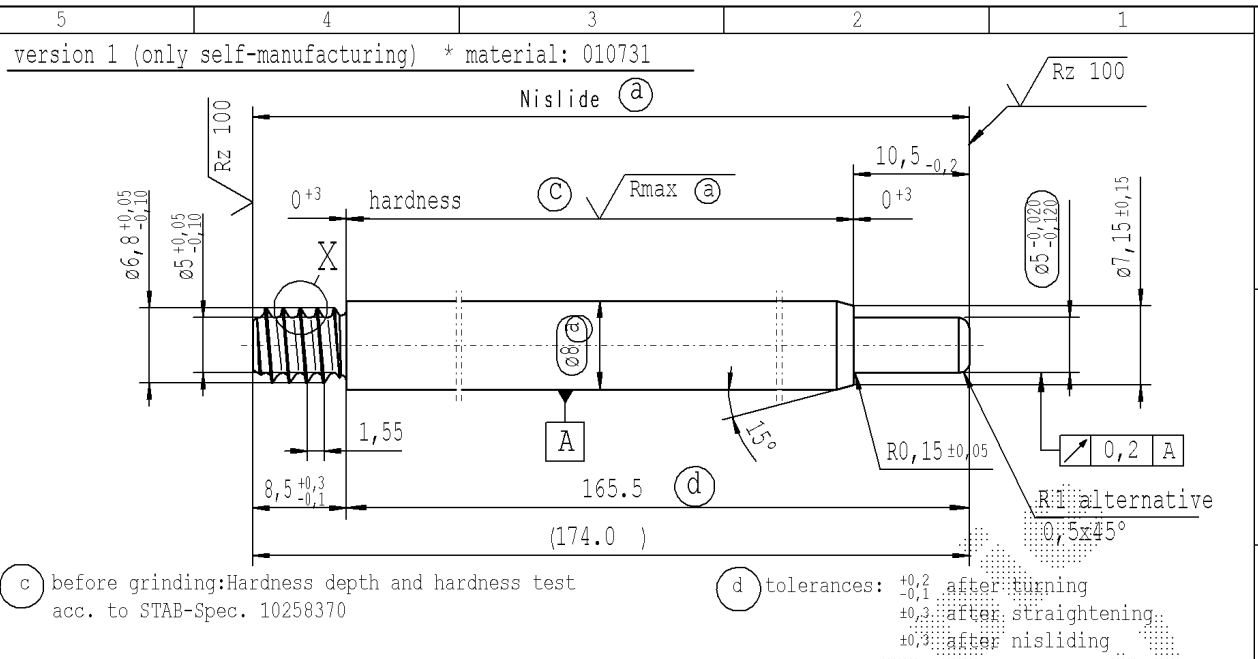
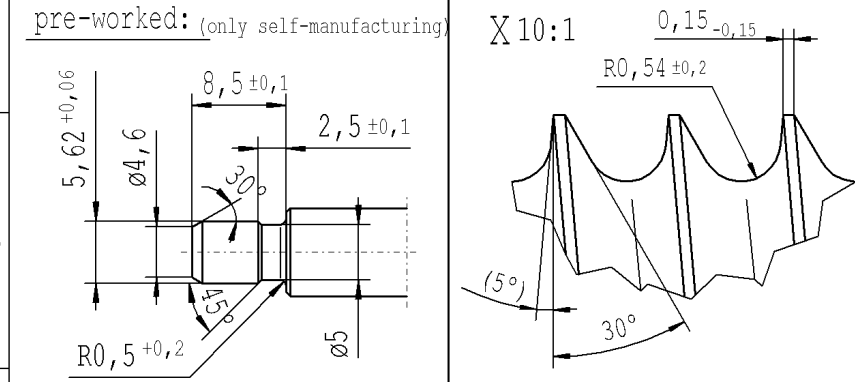
Intended for internal and supplier use

EN

Ident. Doc.:

Date: 22/02/2021 - 13:0

supp No.	material no. (a)	material no. (b)	A	E
	10006248 Tab. XVI version 1	10028959 Tab. I version 2	overall length	length without endfitting stud
20	043543	043543	177.0	168.5
21	167586	167586	240.0	231.5
22	381013	381013	249.0	240.5
23	396309	396309	151.0	142.5
24	396787	396787	255.0	246.5
25	397265	397265	123.0	114.5
26	397982	397982	270.0	261.5
27	410410	410410	167.5	159.0
28	415668	415668	300.0	291.5
29	420926	420926	369.0	360.5
30	422599	422599	150.0	141.5
31	437417	437417	132.0	123.5
32	438612	438612	129.0	120.5
33	443870	443870	256.0	247.5
34	444587	444587	228.0	219.5
35	457015	457015	204.0	195.5
36	465141	465141	191.0	182.5
37	467053	467053	174.0	165.5
38	483783	483783	207.0	198.5



DE: X			EN: X			ES:			IT:			PR: X			FR:			RO: X			CAD created document handwritten changes not permitted			Material: *			All dimensions are in mm			Marking of special characteristics according to STAB-Spec. 10270932			Date			Name		
new			±0,2 no technical change, no new first sample required			(5°) no technical change, no new first sample required																					Drawn by			30.03.2017			yamuellet					
old																														Checked			08.04.2021			Klinkner		
Field			B/3																																			
Date/Name			03.02.2021 Hein			08.04.2021 Hein																																
Chg. No.			694938			696948																																
Rev.			5			5																																
												AIAG CQI-standards acc. to STAB-Spec. 10027692												Environmental protection acc. to STAB-Spec. 10005649														
												STABILUS												PISTON ROD														
																								Document No.: 10243257														
																								Material No.:														