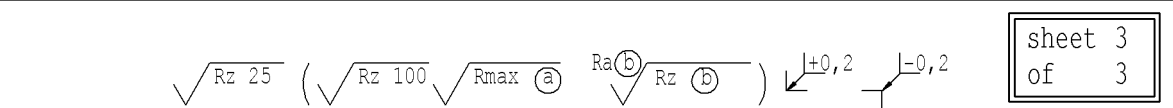
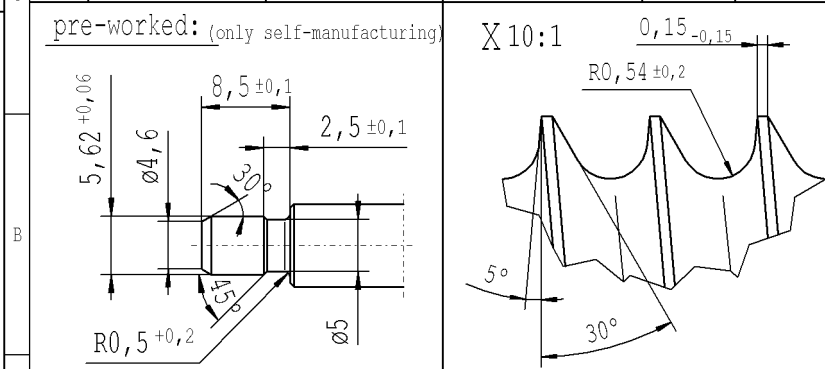
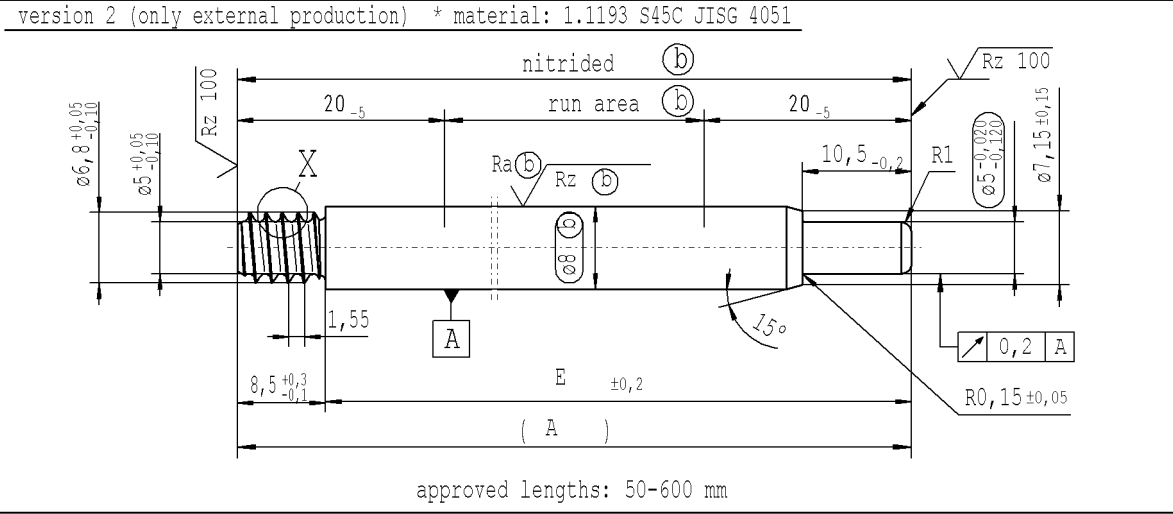
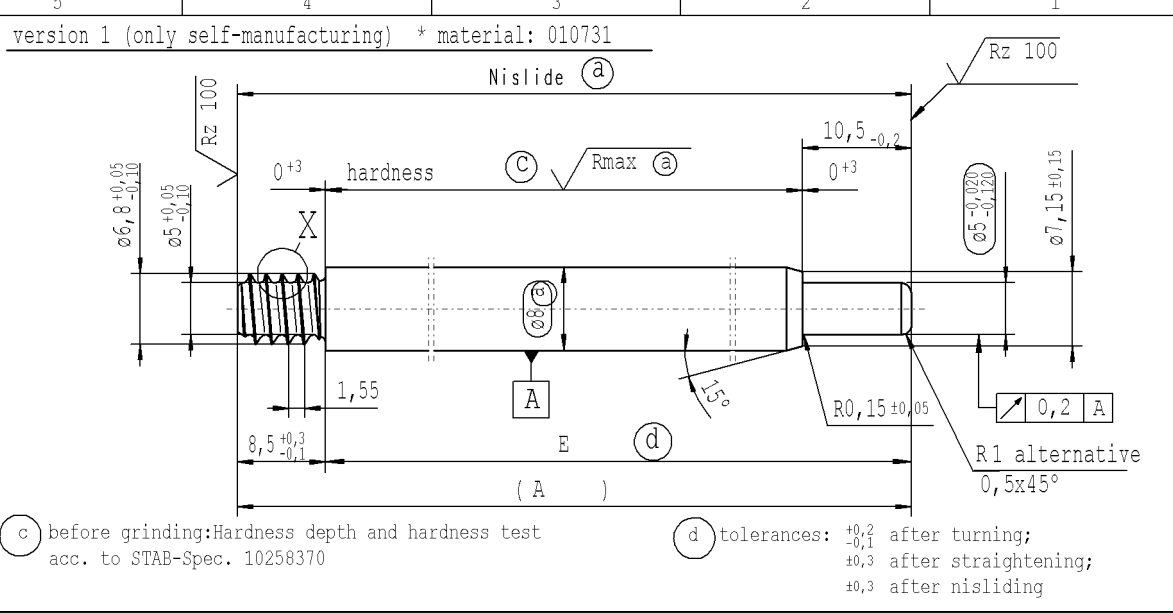


The print-out is not subject to the modification service.

Intended for internal and supplier use

Ident. Doc.: ERPEN11.docx; 10/2/2021 - 9:30

supp No.	material no.		A	E
	processing and surface treatment acc. to STAB-Spec. 10006248 Tab.XVI version 1	10028959 Tab. I version 2	overall length	length without endfitting stud
39	495016	495016	265.0	256.5
40	497406	497406	216.0	207.5
41	500274	500274	198.0	189.5
42	504576	504576	273.0	264.5
43	507683	507683	288.0	279.5
44	732104	732104	279.0	270.5
45	768432	768432	348.0	339.5
46	782055	782055	108.0	99.5
47	789464	789464	276.0	267.5
48	798785	798785	223.0	214.5
49	800458	800458	387.0	378.5
50	801175	801175	250.0	241.5
51	801653	801653	257.0	248.5
52	802848	802848	336.0	327.5
53	808584	808584	135.0	126.5
54	812169	812169	377.0	368.5



sheet 3 of 3

DE: X					EN: X					ES: -					IT: -					PR: X					FR: -					RO: X					CRD created document; handwritten changes not permitted										Material: *										All dimensions are in mm										Marking of special characteristics according to STAB-Spec. 10270932										Date: 30.03.2017										Name: yamueller									
new					-					new format Internal/Supplier					±0,2; no technical change, no new first sample required					±0,2; no technical change, no new first sample required					Material: *					Scale: (Original DIN A3) 2:1										Dimensions without tolerances DIN ISO 2768-mK										Checked: 03.02.2021										Klinkner																																		
old					Tab IV					Supplier drawing separately					Ⓢ					Ⓢ					Edge tolerances acc. to DIN ISO 13715					Surface finish DIN EN ISO 1302										We reserve all rights to this document, to any patents or patent registrations related hereto, and to the duplication, retransmission by third parties and misc. use. Any use of this document is not permitted without the written consent of STABILUS.										Document No.: 10243257																																												
Field					A-F 8					-					B/3					B/3					Replaces:					PISTON ROD										Material No.:																																																						
Date/Name					13.06.2019 Höfer					20.03.2020 Höfer					03.02.2021 Hein					03.02.2021 Hein																																																																										
Chg. No.					678620					687201					694938					694938																																																																										
Rev.					4					5					5					5																																																																										

**STABILUS**

PISTON ROD