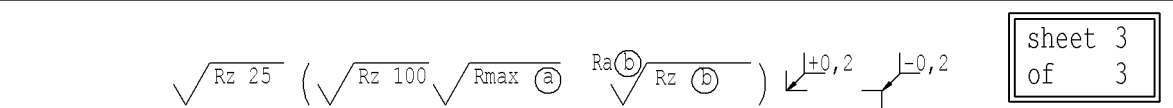
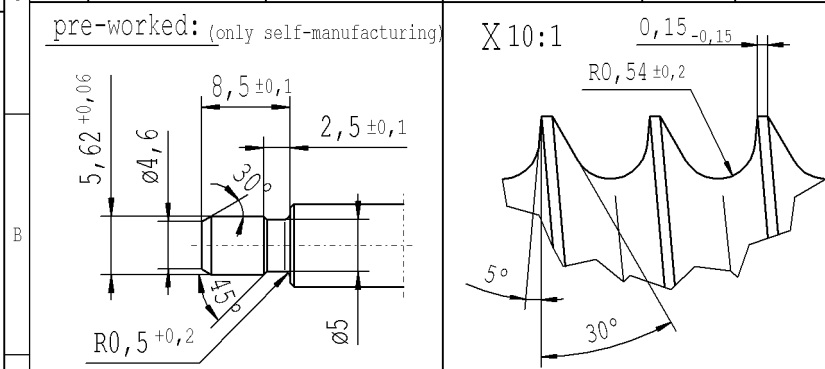
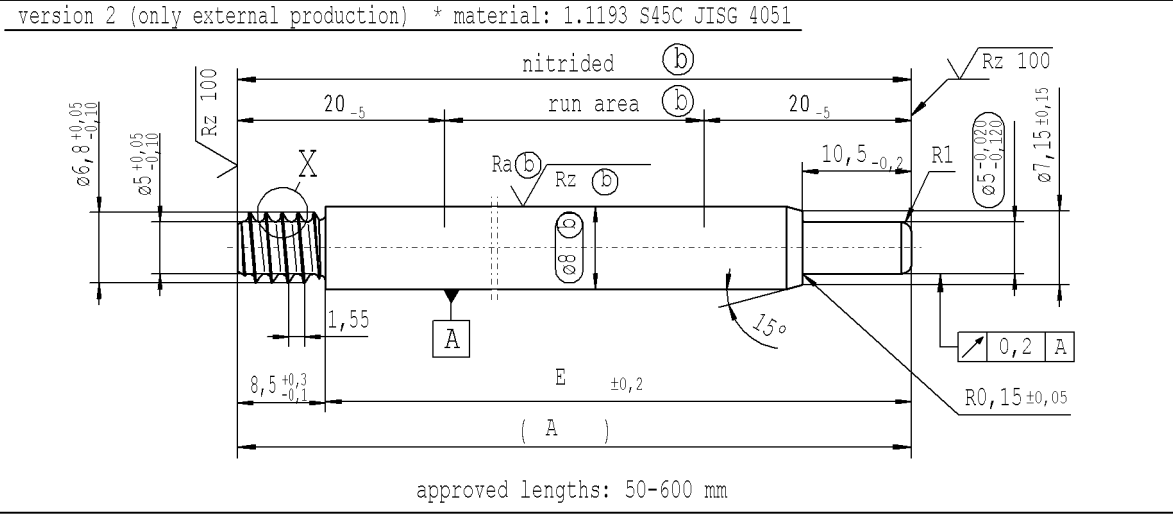
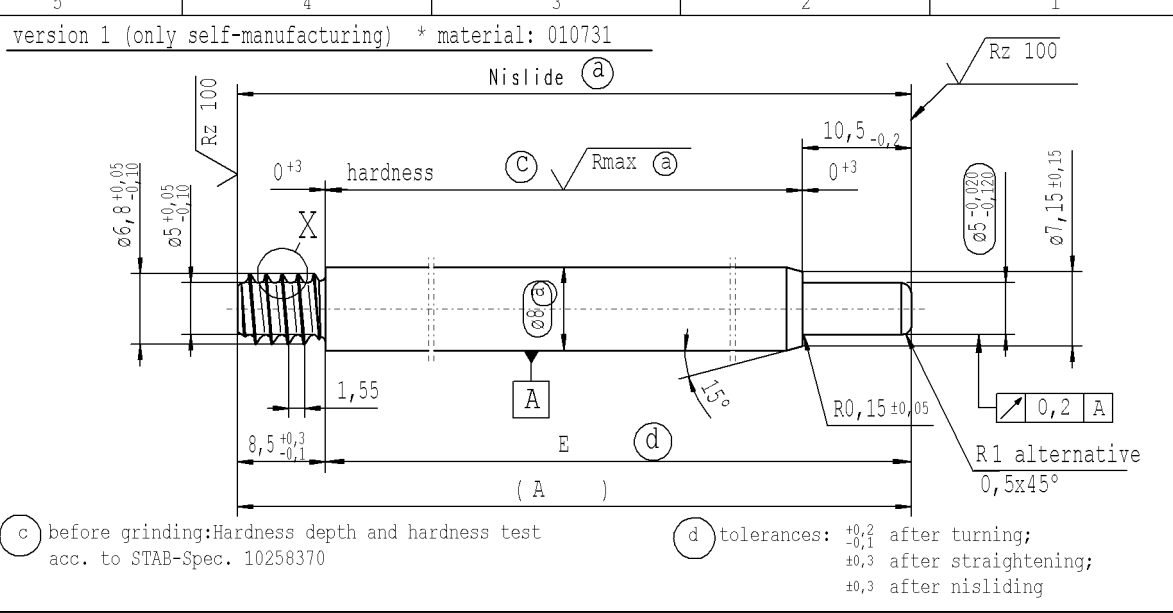


The print-out is not subject to the modification service.

Intended for internal and supplier use

Ident. Doc.: E:\p\11.docx: 10/2/2021 - 9:30

supp No.	material no.		A	E
	processing and surface treatment acc. to STAB-Spec. 10006248 Tab.XVI version 1	10028959 Tab. I version 2		
39	495016	495016	265.0	256.5
40	497406	497406	216.0	207.5
41	500274	500274	198.0	189.5
42	504576	504576	273.0	264.5
43	507683	507683	288.0	279.5
44	732104	732104	279.0	270.5
45	768432	768432	348.0	339.5
46	782055	782055	108.0	99.5
47	789464	789464	276.0	267.5
48	798785	798785	223.0	214.5
49	800458	800458	387.0	378.5
50	801175	801175	250.0	241.5
51	801653	801653	257.0	248.5
52	802848	802848	336.0	327.5
53	808584	808584	135.0	126.5
54	812169	812169	377.0	368.5



sheet 3 of 3

DE: X					EN: X					ES: -					IT: -					PR: X					FR: -					RO: X					Material: *					All dimensions are in mm					Marking of special characteristics according to STAB-Spec. 10270932					Date: 30.03.2017					Name: yamueller				
new					-					new format Internal/Supplier					CRD created document; handwritten changes not permitted					±0,2; no technical change, no new first sample required					Surface finish: DIN EN ISO 1302					Scale: (Original DIN A3) 2:1					Dimensions without tolerances: DIN ISO 2768-mK					Checked: 03.02.2021					Klinkner														
old					Tab IV					Supplier drawing separately					Ⓢ					Edge tolerances acc. to DIN ISO 13715					We reserve all rights to this document, to any patents or patent registrations related hereto, and to the duplication, retransmission by third parties and misc. use. Any use of this document is not permitted without the written consent of STABILUS.					Document No.: 10243257																													
Field					A-F 8					-					B/3					Replaces:					PISTON ROD					Material No.:																													
Date/Name					13.06.2019 Höfer					20.03.2020 Höfer					03.02.2021 Hein					STABILUS																																							
Chg. No.					678620					687201					694938																																												
Rev.					4					5					5																																												