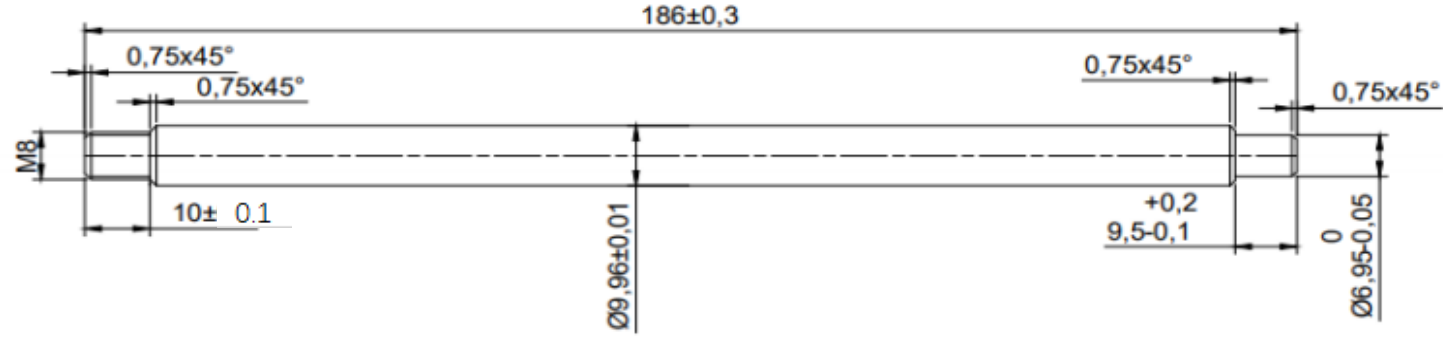
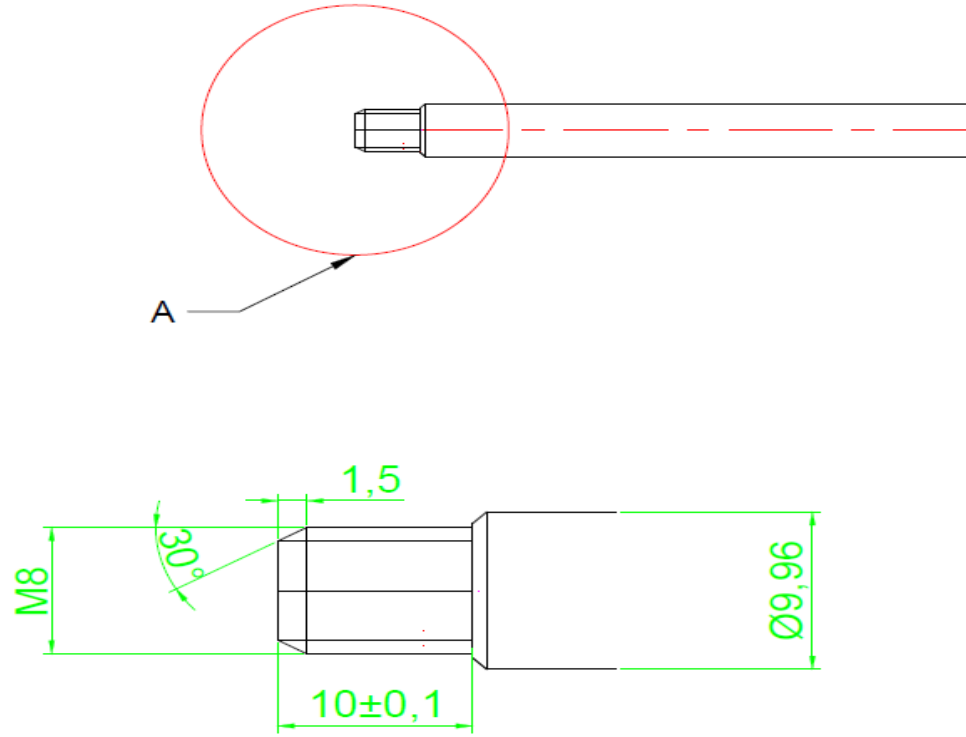


# 186mm Mil



Reference Number / Referans No		<b>GASAN</b>			
Drawing Number / Resim No					
Revision Number / Değişiklik No	00	Date / Tarih	Signature / İmza	Material / Malzeme	Undefined Tolerances acc. to/ Belirtilmeyen Toleranslar  $\pm 0,1$
Drawn by / Çizen	H.EREN	30.10.2019		C35	
Designed by / Tasarlayan	H.EREN	30.10.2019			
Approved by / Onaylayan	H.EREN	30.10.2019			
Scale / Ölçek	Form	$\varnothing 10 \times 186 \text{mm}$ <b>MİL İMALAT RESMİ</b>			
<b>2:1</b>	<b>A4</b>				
MG Code / MG Kodu		Customer Code / Müşteri Kodu			



Reference Number / Referans No		<b>Gasan</b>			
Drawing Number / Resim No					
Revision Number / Değişiklik No	00	Date / Tarih	Signature / İmza	Material / Malzeme	Undefined Tolerances acc. to/ Belirtilmeyen Toleranslar  ±0,2
Drawn by / Çizen	BÜŞRA İSMAİLÇEBİ	05.03.2021		C 35	
Designed by / Tasarlayan	BÜŞRA İSMAİLÇEBİ	05.03.2021			
Approved by / Onaylayan	HASAN EREN	05.03.2021			
Scale / Ölçek	Form	<b>Ø10 MİL İMALAT RESMİ</b>			
<b>2:1</b>	A4				
Gasan Code / Gasan Kodu		Customer Code / Müsteri Kodu			