

The print-out is not subject to the modification service.

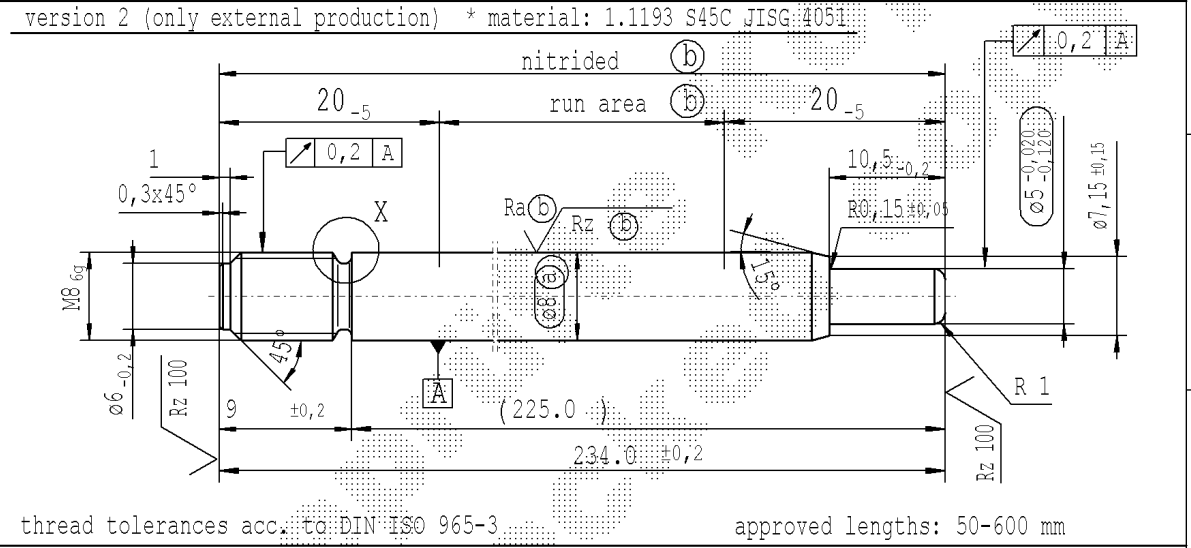
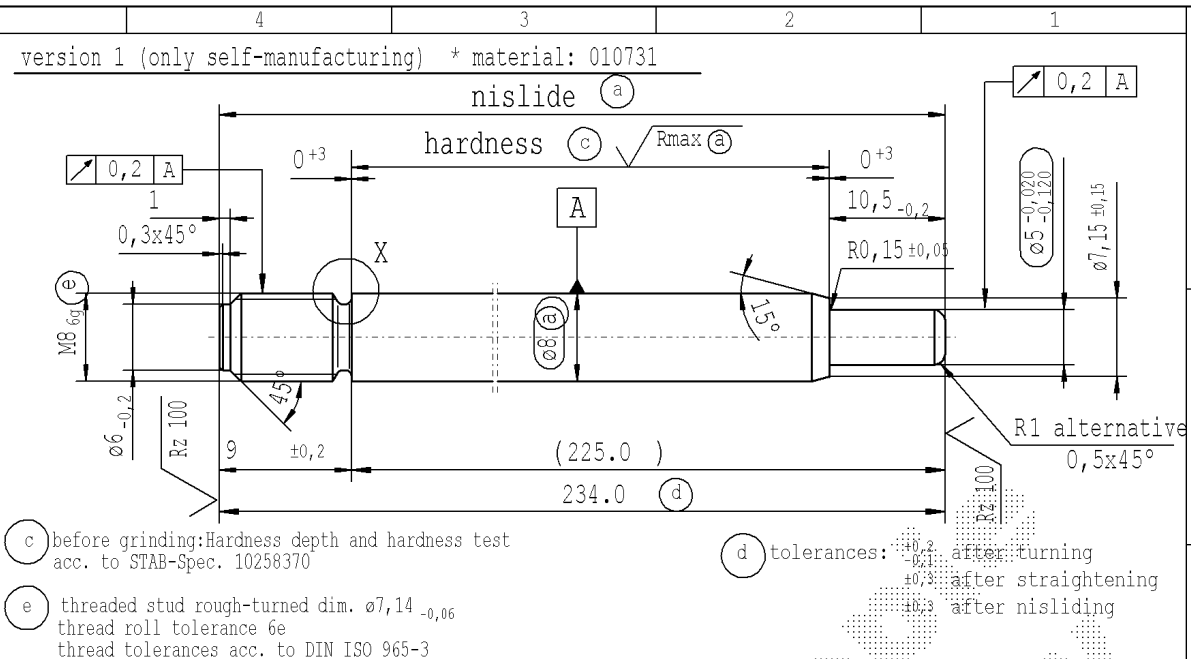
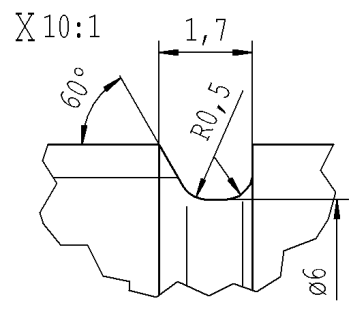
Intended for internal and supplier use

EN

Erstelldatum: 26/10/2020 - 8:26

Ident. Doc.:

| supp No. | material no. | | | A overall length | B thread length | E length without end-fitting stud |
|----------|---|------------------|------------------|---------------------|--------------------|--------------------------------------|
| | (a) version 1 | (a) version 1 | (b) version 2 | | | |
| | processing and surface treatment acc. to STAB-Spec. 10006248 Tab. IV 10006248 Tab. X 10028959 Tab. I | | | | | |
| 21 | 255054 | 255054 | 255054 | 303.0 | 9 | 294.0 |
| 22 | 183594 | 183594 | 183594 | 237.0 | 10 | 227.0 |
| 23 | 235457 | 235457 | 235457 | 234.0 | 9 | 225.0 |
| 24 | 436695 | 436695 | 436695 | 234.0 | 10 | 224.0 |
| 25 | 977076 | 977076 | 977076 | 294.0 | 9 | 285.0 |
| 26 | 899641 | 899641 | 899641 | 339.0 | 9 | 330.0 |
| 27 | 036613 | 036613 | 036613 | 333.0 | 9 | 324.0 |
| 28 | 261512 | 261512 | 261512 | 270.0 | 9 | 261.0 |
| 29 | 417101 | 417101 | 417101 | 270.0 | 11 | 259.0 |
| 30 | 559306 | 559306 | 559306 | 246.0 | 9 | 237.0 |
| 31 | 649887 | 649887 | 649887 | 240.0 | 9 | 231.0 |



sheet 2 of 2

| | | | | | | | |
|--|-----------------------------|------------------------------|-----|--|-----|-------|--|
| AIAG CQI-standards acc. to STAB-Spec. 10027692 | | | | Environmental protection acc. to STAB-Spec. 10005649 | | | |
| DE: X | EN: X | ES: | IT: | PR: | FR: | RO: X | CAD created document handwritten changes not permitted |
| new | approved lengths: 90-600 mm | © = acc. STAB-Spec. 10258370 | | new format Internal/Supplier | | | |
| old | approved lengths: 90-400 mm | © = RHT 0,4 ... 0,7 mm | | Supplier drawing separately | | | |
| Field | D/4-5 | B 4-5 | | - | | | |
| Date/Name | 24.11.2015 Hein | 15.05.2019 Donat | | 14.07.2020 Höfer | | | |
| Chg. No. | 630576 | 678703 | | 690131 | | | |
| Rev. | 6 | 6 | | 7 | | | |
| Material: * | | | | All dimensions are in mm | | | |
| Edge tolerances acc. to DIN ISO 13715 | | | | Marking of special characteristics according to STAB-Spec. 10270932 | | | |
| Surface Finish: DIN EN ISO 1302 | | | | Scale: (Original DIN A3) 2:1 | | | |
| Replaces: | | | | Dimensions without tolerances DIN ISO 2768-mK | | | |
| STABILUS | | | | We reserve all rights to this document, to any patents or patent registrations related hereto, and to the duplication, retransmission by third parties and misc. use. Any use of this document is not permitted without the written consent of STABILUS. | | | |
| PISTON ROD | | | | Date: 17.01.2008 Name: Höfer | | | |
| | | | | Checked: 15.07.2020 Klinkner | | | |
| | | | | Document No.: 10152007 | | | |
| | | | | Material No.: | | | |