

The print-out is not subject to the modification service.

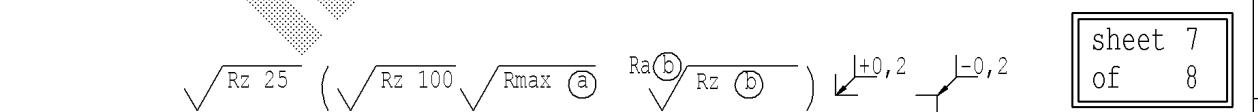
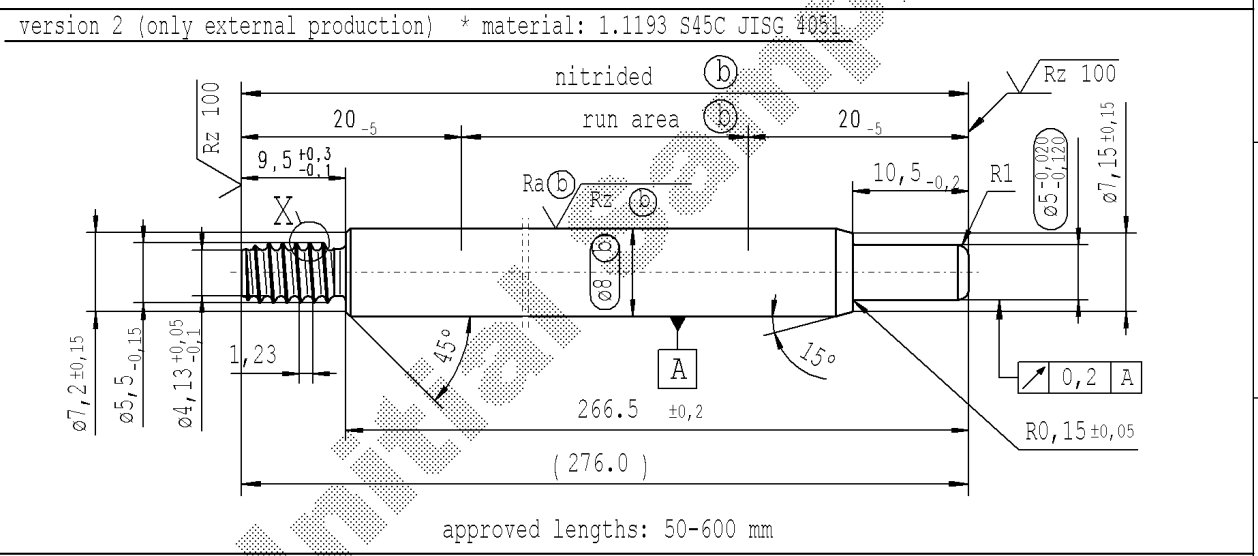
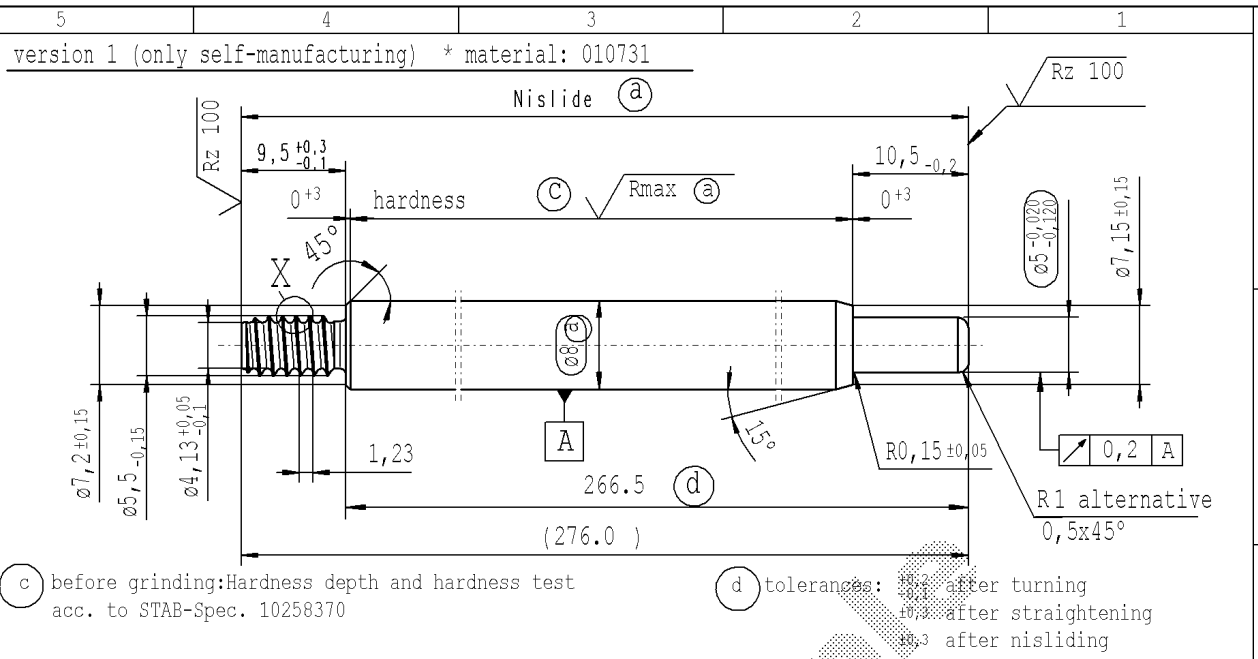
Intended for internal and supplier use

EN

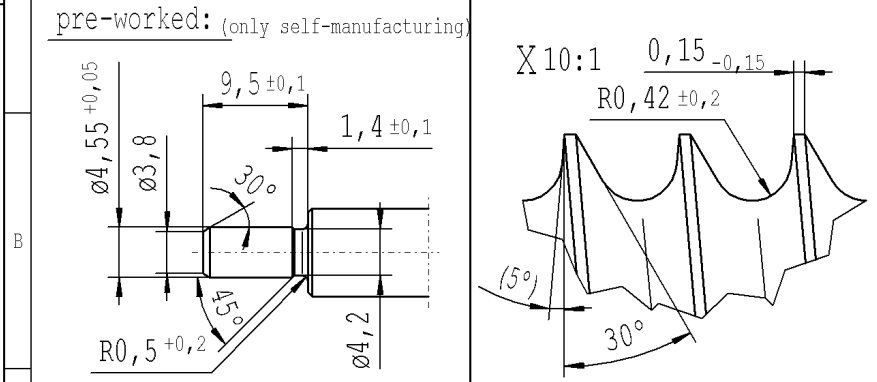
Brevéldatum: 12/1/2021 - 9:9

Ident. Doc.:

supp No.	material no.			A	E
	10006248 Tab. IV version 1	10006248 Tab. X version 1	10028959 Tab. I version 2	overall length	length without endfitting stud
118	655136	655136	655136	117.0	107.5
119	722295	722295	722295	120.0	110.5
120	872148	872148	872148	321.0	311.5
121	554996	554996	554996	222.0	212.5
122	570053	570053	570053	219.0	209.5
123	313607	313607	313607	299.5	290.0
124	862590	862590	862590	237.0	227.5
125	428089	428089	428089	282.0	272.5
126	430001	430001	430001	228.0	218.5
127	125995	125995	125995	180.0	170.5
128	718477	718477	718477	279.0	269.5
129	824355	824355	824355	288.0	278.5
130	248844	248844	248844	303.0	293.5
131	301425	301425	301425	126.0	116.5
132	098277	098277	098277	276.0	266.5
133	183839	183839	183839	315.0	305.5
134	272030	272030	272030	90.0	80.5
135		514615	514615	279.0	269.5
136		517961	517961	258.0	248.5



sheet 7 of 8



AIAG CQI-standards acc. to STAB-Spec. 10027692				Environmental protection acc. to STAB-Spec. 10005649			
DE: X	EN: X	ES:	IT:	PR: X	FR:	RO: X	
CAD created document handwritten changes not permitted				Material: *			
new (C) = acc. STAB-Spec. 10258370 new format Internal/Supplier (5°) no technical change, no new first sample required				All dimensions are in mm			
old (C) = RHT 0,4 ... 0,7 mm Supplier drawing separately 5°				Marking of special characteristics according to STAB-Spec. 10270932			
Field B 4-5 - B/7				Scale: (Original DIN A3) 2:1			
Date/Name 15.05.2019 Jablonski 17.03.2020 Höfer 08.04.2021 Hein				Surface finish DIN EN ISO 1302			
Chg. No. 678682 687147 696926				Replaces:			
Rev. 13 14 14				We reserve all rights to this document, to any patents or patent registrations related hereto, and to the duplication, retransmission by third parties and misc. use. Any use of this document is not permitted without the written consent of STABILUS.			
				Document No.: 10151066			
				Material No.:			
				STABILUS PISTON ROD			