

The print-out is not subject to the modification service.

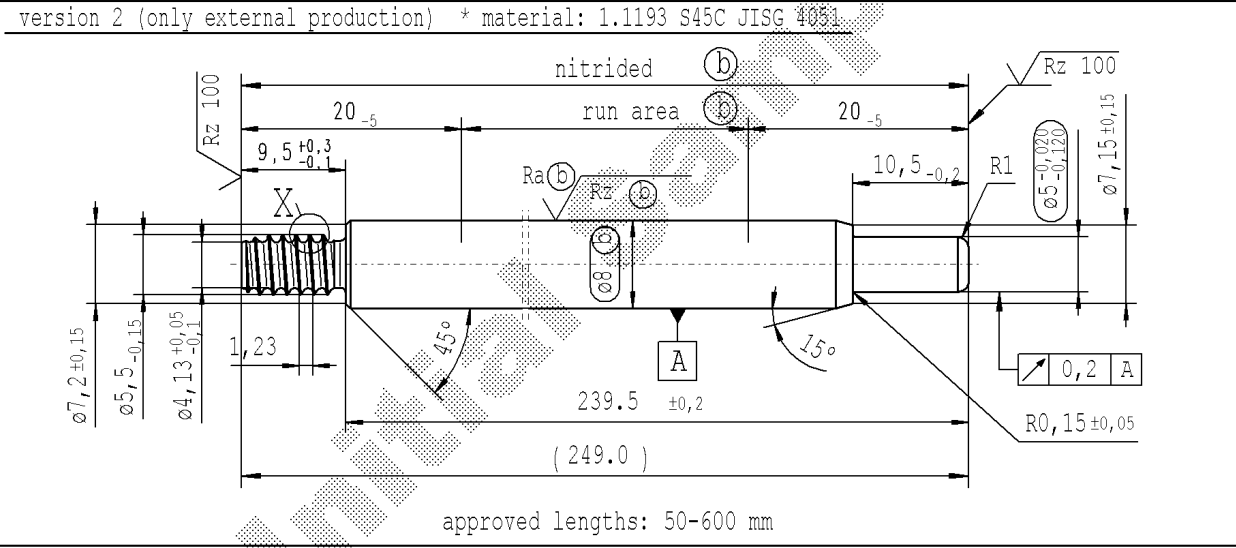
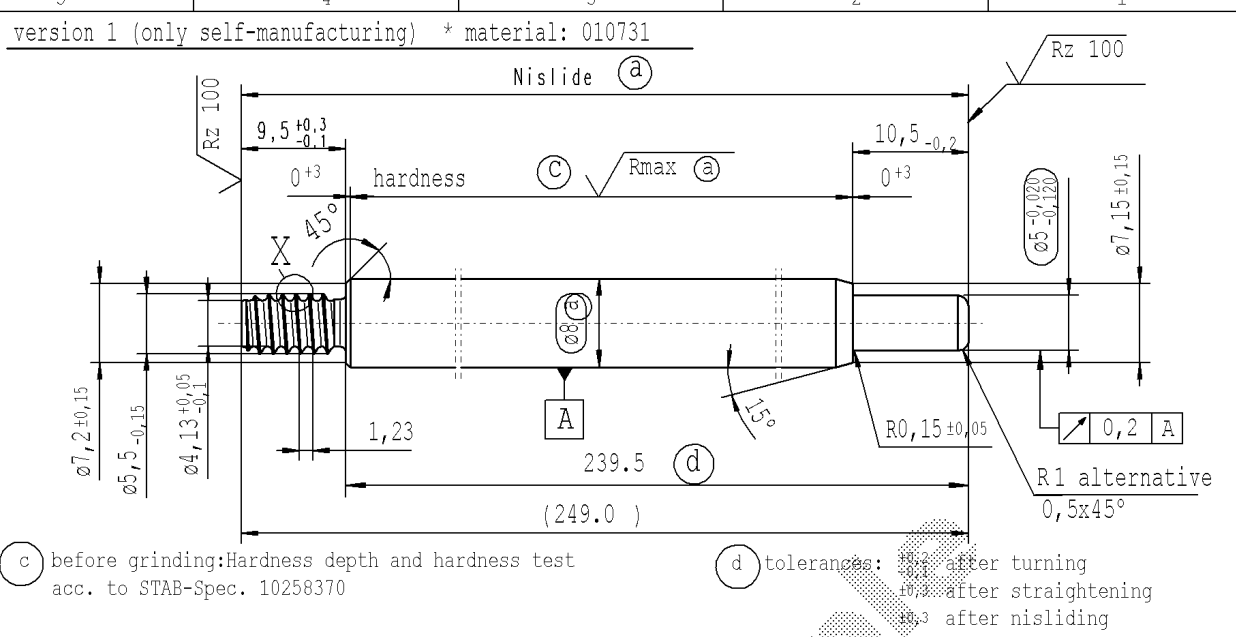
Intended for internal and supplier use

EN

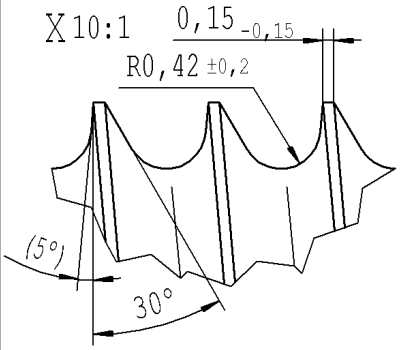
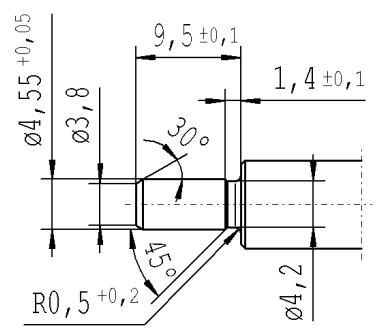
Brevet.datum: 21/12/2021 - 9:22

Ident. Doc.:

supp No.	material no.		A	E
	processing and surface treatment acc. to STAB-Spec.		overall length	length without endfitting stud
	10006248 Tab. XVI (a) version 1	10028959 Tab. I (b) version 2		
39	291628	291628	217.5	208.0
40	293062	293062	309.0	299.5
41	504816	504816	211.5	202.0
42	506967	506967	235.5	226.0
43	507445	507445	204.0	194.5
44	507923	507923	203.5	194.0
45	508401	508401	291.0	281.5
46	509118	509118	273.0	263.5
47	510074	510074	258.0	248.5
48	510552	510552	282.0	272.5
49	512942	512942	249.0	239.5
50	516288	516288	102.0	92.5
51	517483	517483	234.0	224.5
52	520590	520590	246.0	236.5
53	528238	528238	276.0	266.5
54	529194	529194	221.0	211.5
55	538276	538276	219.5	210.0
56	540427	540427	292.0	282.5
57	541144	541144	238.0	228.5



pre-worked: (only self-manufacturing)



AIAG CQI-standards acc. to STAB-Spec. 10027692

Environmental protection acc. to STAB-Spec. 10005649

DE: X	EN: X	ES:	IT:	PR: X	FR:	RO: X	CAD created document handwritten changes not permitted
new	no technical change, no new first sample required		(5°) no technical change, no new first sample required				
old	Tab IV		5°				
Field	C-F 8		B/6-7				
Date/Name	16.12.2020 Hein		08.04.2021 Hein				
Chg. No.	693200		696948				
Rev.	3		3				

Material: *	All dimensions are in mm	Marking of special characteristics according to STAB-Spec. 10270932	Date	Name
Edge tolerances acc. to DIN ISO 13715	Scale: (Original DIN A3) 2:1	Dimensions without tolerances DIN ISO 2768-mK	Drawn by	01.06.2018 Höfer
Surface finish DIN EN ISO 1302	We reserve all rights to this document, to any patents or patent registrations related hereto, and to the duplication, retransmission by third parties and misc. use. Any use of this document is not permitted without the written consent of STABILUS.		Checked	08.04.2021 Klinkner
Replaces:	STABILUS		Document No.:	10254976
PISTON ROD			Material No.:	

sheet 3 of 4