

The print-out is not subject to the modification service.

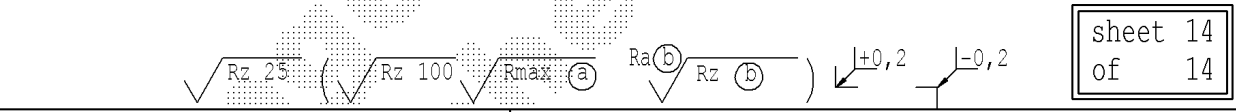
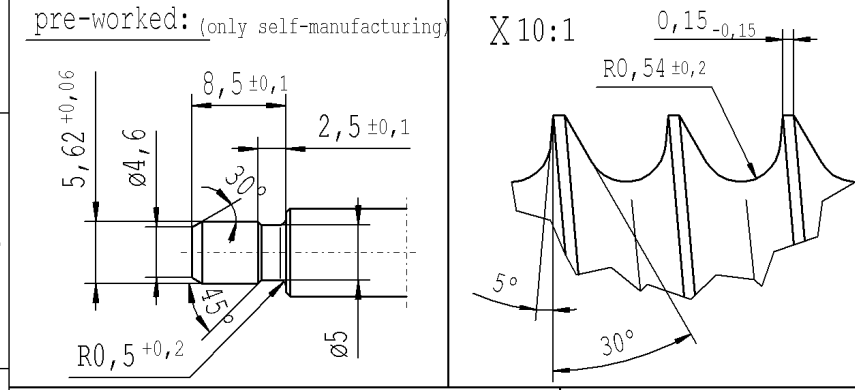
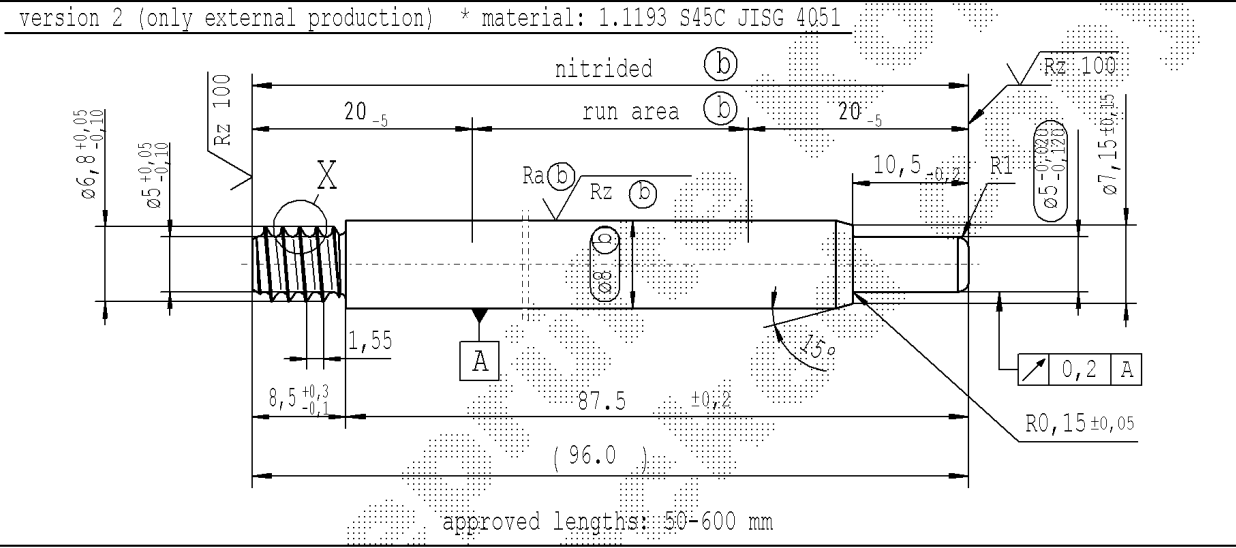
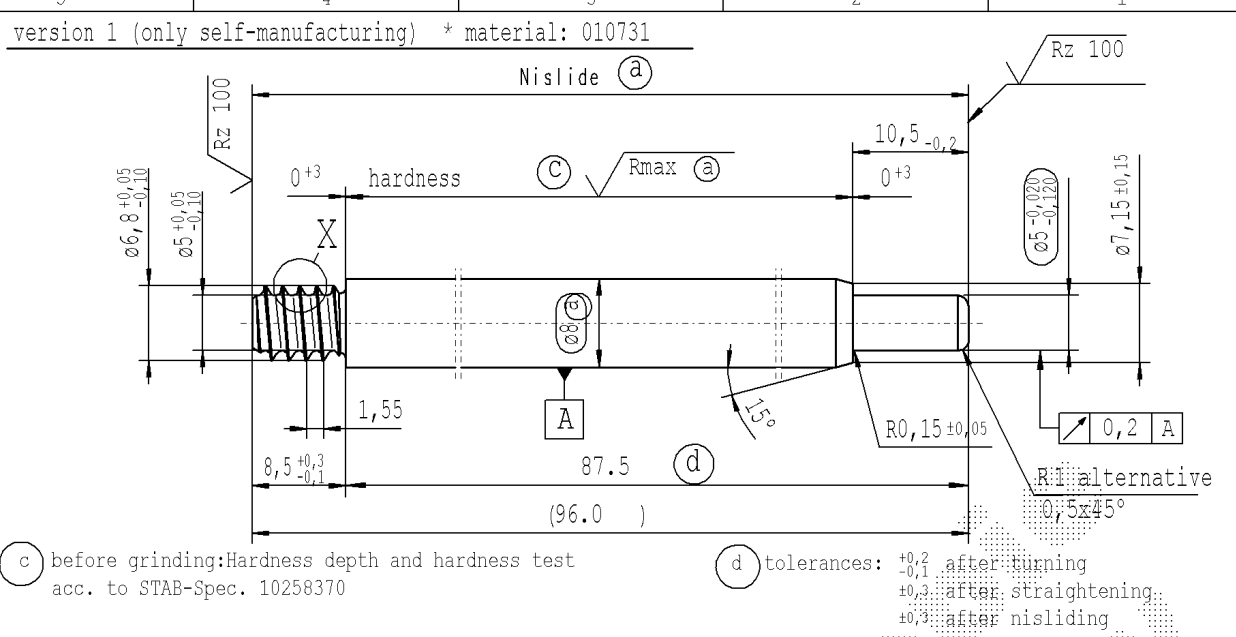
Intended for internal and supplier use

EN

Brevell.datum: 10/11/2020 - 9:35

Ident. Doc.:

supp No.	material no.			A	E
	10006248 Tab. IV version 1	10006248 Tab. X version 1	10028959 Tab. I version 2	overall length	length without endfitting stud
267	808095	808095	808095	265.5	257.0
268	808573	808573	808573	453.0	444.5
269	808812	808812	808812	163.0	154.5
270	809051	809051	809051	304.0	295.5
271	432150	432150	432150	380.0	371.5
272	508630	508630	508630	251.5	243.0
273	658244	658244	658244	298.0	289.5
274	798298	798298	798298	239.0	230.5
275	798776	798776	798776	282.5	274.0
276	212749	212749	212749	390.0	381.5
277	301896	301896	301896	235.5	227.0
278	302613	302613	302613	190.5	182.0
279	153717	153717	153717	99.0	90.5
280	603037	603037	603037	372.0	363.5
281	658725	658725	658725	342.0	333.5
282	408493	408493	408493	90.0	81.5
283	656101	656101	656101	96.0	87.5



sheet 14 of 14

DE: X				EN: X		ES:		IT:		PR: X		FR:		RO: X		CAD created document handwritten changes not permitted				Material: x				All dimensions are in mm				Date		Name					
new				position of angle 5° corrected		60-600		© = acc. STAB-Spec. 10258370		new format Internal/Supplier		Tab. IX						Marking of special characteristics according to STAB-Spec. 10270932				Drawn by		05.12.2007		Höfer									
old				wrong position of angle 5°		100-600		© = RHT 0,4 ... 0,7 mm		Supplier drawing separately		Tab. V						Scale: (Original DIN A3) 2:1				Checked		22.04.2020		Klinkner									
Field				C-D/4-5		B3		B 4-5		-		Pos.195						We reserve all rights to this document, to any patents or patent registrations related hereto, and to the duplication, retransmission by third parties and misc. use. Any use of this document is not permitted without the written consent of STABILUS.				Document No.:				10151065		Material No.:							
Date/Name				28.03.2019 Hein		26.04.2019 Höfer		15.05.2019 Jablonski		22.04.2020 Höfer																									
Chg. No.				677185		678147		678682		687145																									
Rev.				18		19		20		21																									
<p>AIAG CQI-standards acc. to STAB-Spec. 10027692</p> <p>Environmental protection acc. to STAB-Spec. 10005649</p>																<p>Edge tolerances acc. to DIN ISO 13715</p> <p>Surface finish: DIN EN ISO 1302</p> <p>Replaces:</p>										<p>STABILUS</p> <p>PISTON ROD</p>									