

The print-out is not subject to the modification service.

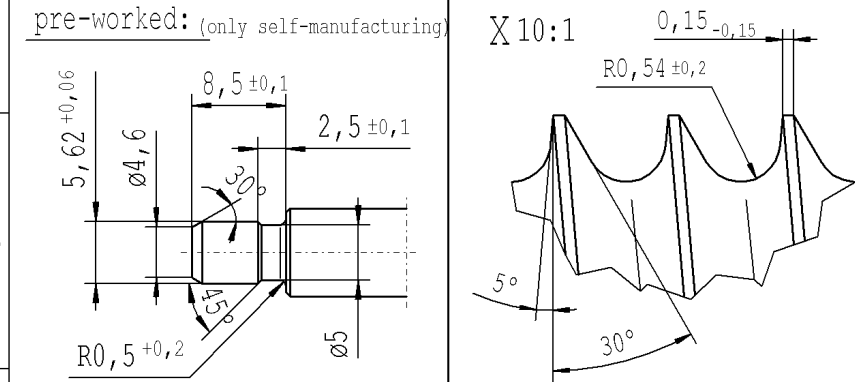
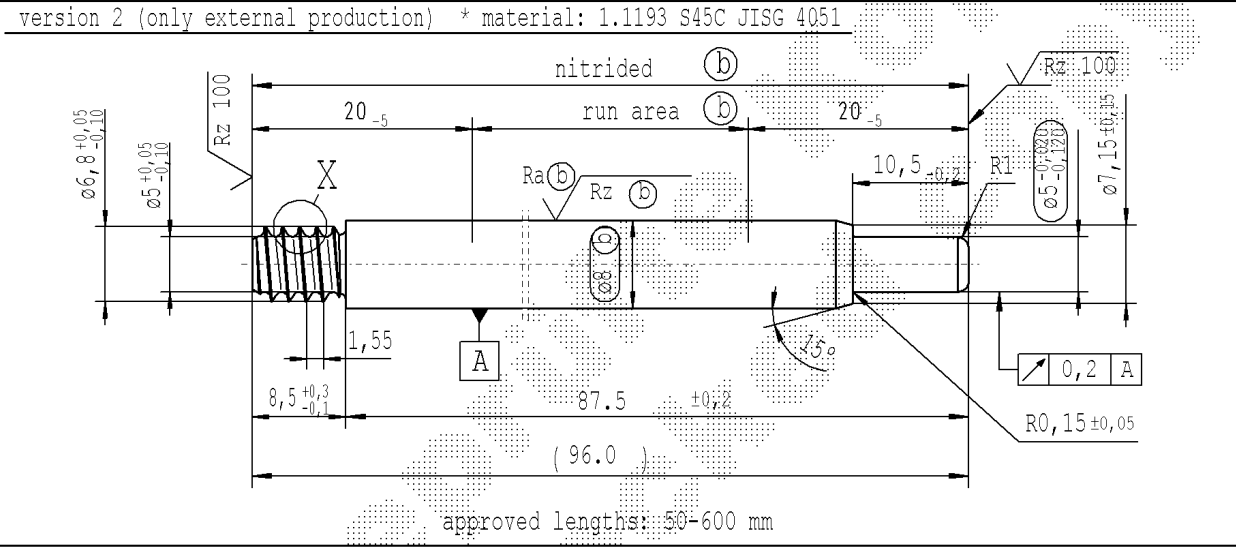
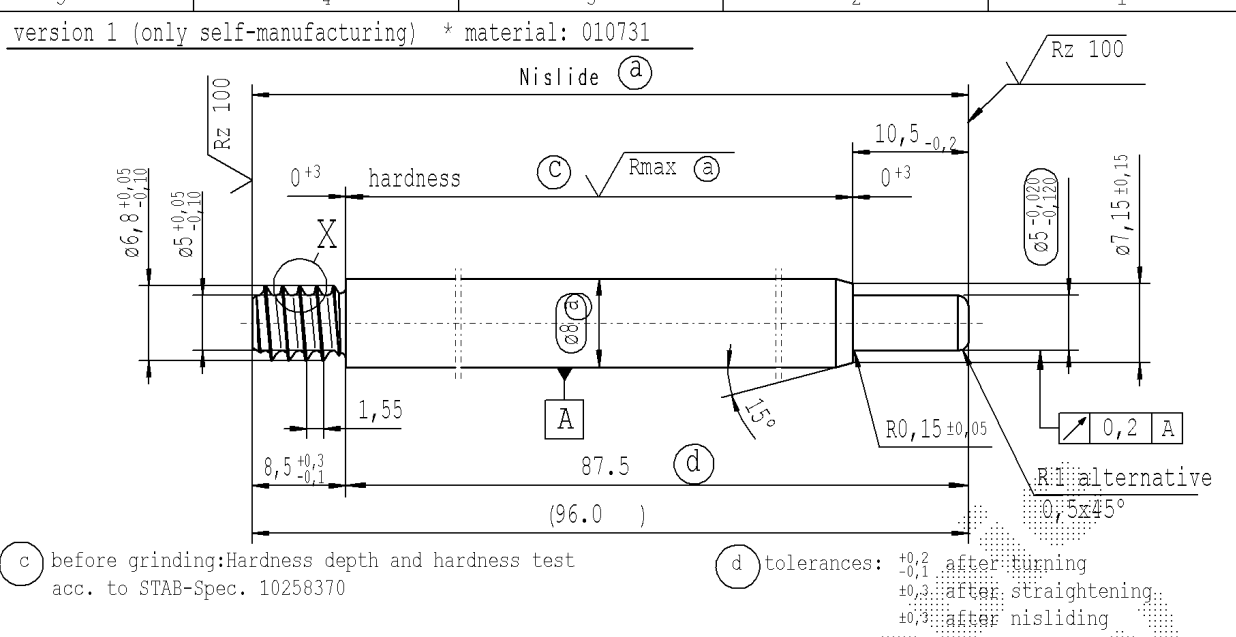
Intended for internal and supplier use

EN

Brevell.datum: 10/11/2020 - 9:35

Ident. Doc.:

supp No.	material no.			A	E
	10006248 Tab. IV version 1	10006248 Tab. X version 1	10028959 Tab. I version 2	overall length	length without endfitting stud
267	808095	808095	808095	265.5	257.0
268	808573	808573	808573	453.0	444.5
269	808812	808812	808812	163.0	154.5
270	809051	809051	809051	304.0	295.5
271	432150	432150	432150	380.0	371.5
272	508630	508630	508630	251.5	243.0
273	658244	658244	658244	298.0	289.5
274	798298	798298	798298	239.0	230.5
275	798776	798776	798776	282.5	274.0
276	212749	212749	212749	390.0	381.5
277	301896	301896	301896	235.5	227.0
278	302613	302613	302613	190.5	182.0
279	153717	153717	153717	99.0	90.5
280	603037	603037	603037	372.0	363.5
281	658725	658725	658725	342.0	333.5
282	408493	408493	408493	90.0	81.5
283	656101	656101	656101	96.0	87.5



DE: X				EN: X				ES:				IT:				PR: X				FR:				RO: X				CAD created document handwritten changes not permitted				Material: x				All dimensions are in mm				Marking of special characteristics according to STAB-Spec. 10270932				Date: 05.12.2007				Name: Höfer			
new				position of angle 5° corrected				60-600				© = acc. STAB-Spec. 10258370				new format Internal/Supplier				Tab. IX				Scale: (Original DIN A3) 2:1				Dimensions without tolerances				DIN ISO 2768-mK				Checked: 22.04.2020				Klinkner											
old				wrong position of angle 5°				100-600				© = RHT 0,4 ... 0,7 mm				Supplier drawing separately				Tab. V				Edge tolerances acc. to DIN ISO 13715				Surface finish: DIN EN ISO 1302				Replaces:				Document No.: 10151065															
Field				C-D/4-5				B3				B 4-5				-				Pos.195				We reserve all rights to this document, to any patents or patent registrations related hereto, and to the duplication, retransmission by third parties and misc. use. Any use of this document is not permitted without the written consent of STABILUS.				Material No.:																							
Date/Name				28.03.2019 Hein				26.04.2019 Höfer				15.05.2019 Jablonski				22.04.2020 Höfer								Material No.:																											
Chg. No.				677185				678147				678682				687145								Material No.:																											
Rev.				18				19				20				21								Material No.:																											

sheet 14 of 14

STABILUS

PISTON ROD