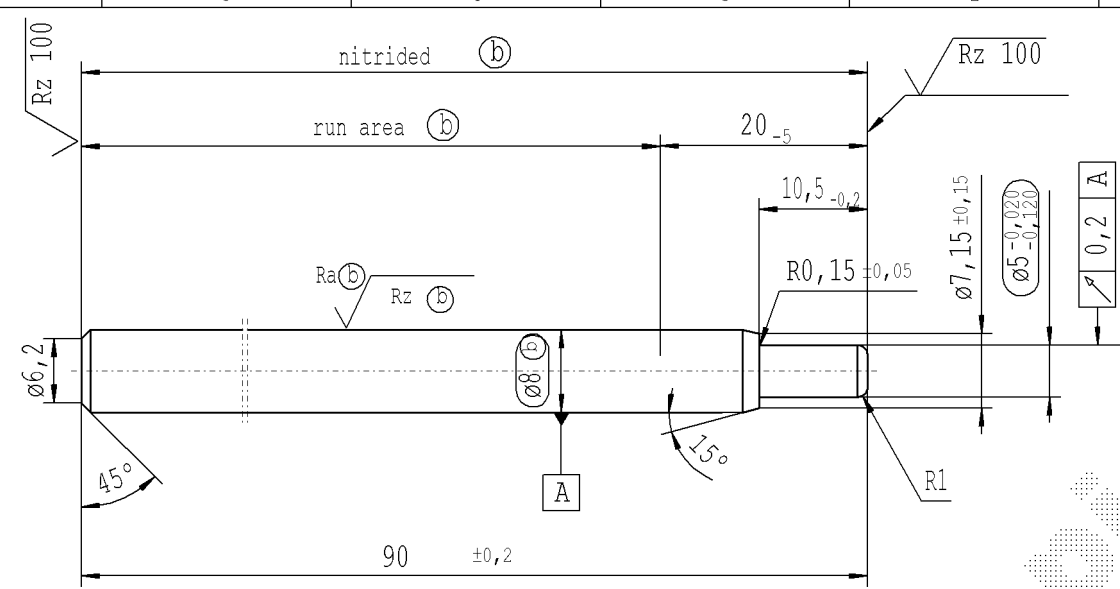


The print-out is not subject to the modification service.

Intended for internal and supplier use

Ident. Doc.: 19/07/2021 - 10:18

F	supp No.	material no.	A
	Surface treatment STAB-Spec. 10028959 Tab.I		overall length
(b)			
	32	190038	156
	33	220871	225
	34	222544	291
	35	223022	159
	36	524162	105
E	37	956514	108
	38	568618	96
	39	833911	90
	40	430241	114
	41	060270	135
	42	091818	78
D	43	130297	99
	44	309308	261
	45	879803	133
	46	055493	126
	47	090626	111
	48	095406	141
	49	127195	144
C	50	167826	324
	51	189097	309
	52	194116	216



external production * material: 1.1193 S45C JISG 4051

approved lengths: 50-600 mm

sheet 2
of 2

AIAG CQI-standards acc. to STAB-Spec. 10027892										Environmental protection acc. to STAB-Spec. 10005649					
DE: X	EN: X	ES:	IT:	PR:	FR:	RO: X	CAD created document handwritten changes not permitted			Material: *	All dimensions are in mm	Marking of special characteristics according to STAB-Spec. 10270932	Drawn by	Date	Name
new	50-600 mm			revised			© = acc. STAB-Spec. 10258370		new format Internal/Supplier				25.04.2008	Hein	
old	100-600 mm			-			© = RHT 0,4 ... 0,7 mm		Supplier drawing separately				28.07.2020	Klinkner	
Field	A5			-			C 5-6		-	Edge tolerances acc. to DIN ISO 13715	Scale: (Original DIN A3) 2:1	Dimensions without tolerances DIN ISO 2768 mK	Document No.: 10154964		
Date/Name	19.07.2018 Höfer	29.08.2018 Jablonski	15.05.2019 Donat	28.07.2020 Höfer						Surface finish: DIN EN ISO 1302	We reserve all rights to this document, to any patents or patent registrations related hereto, and to the duplication, retransmission by third parties and misc. use. Any use of this document is not permitted without the written consent of STABILUS.				
Chg. No.	670346	671281	678703	690132						Registries:	Material No.:				
Rev.	6	7	8	9						STABILUS	PISTON ROD				