

The print-out is not subject to the modification service.

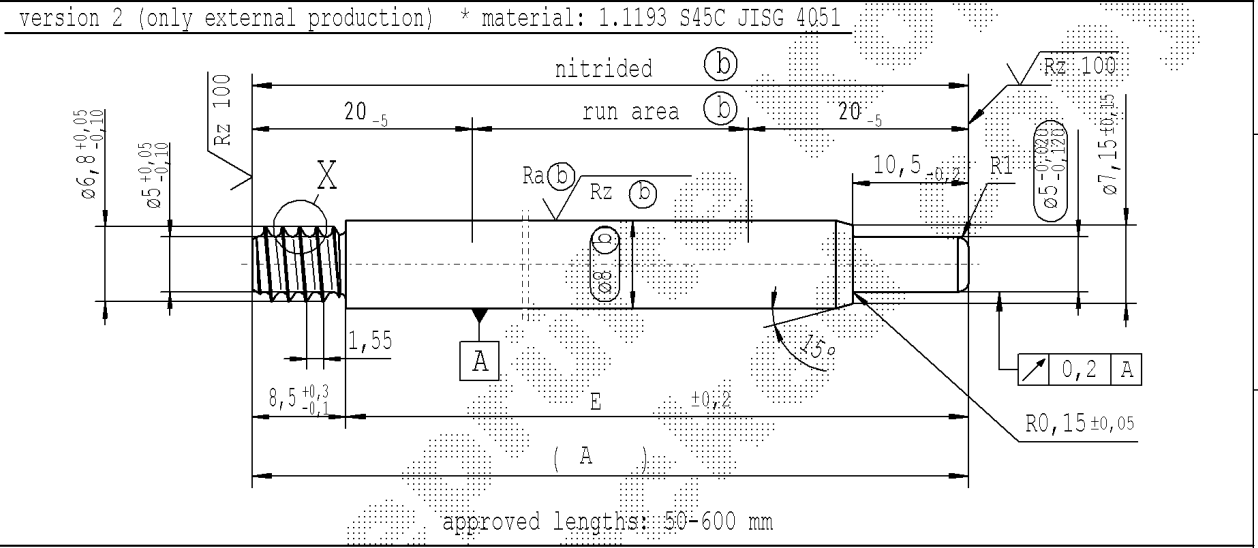
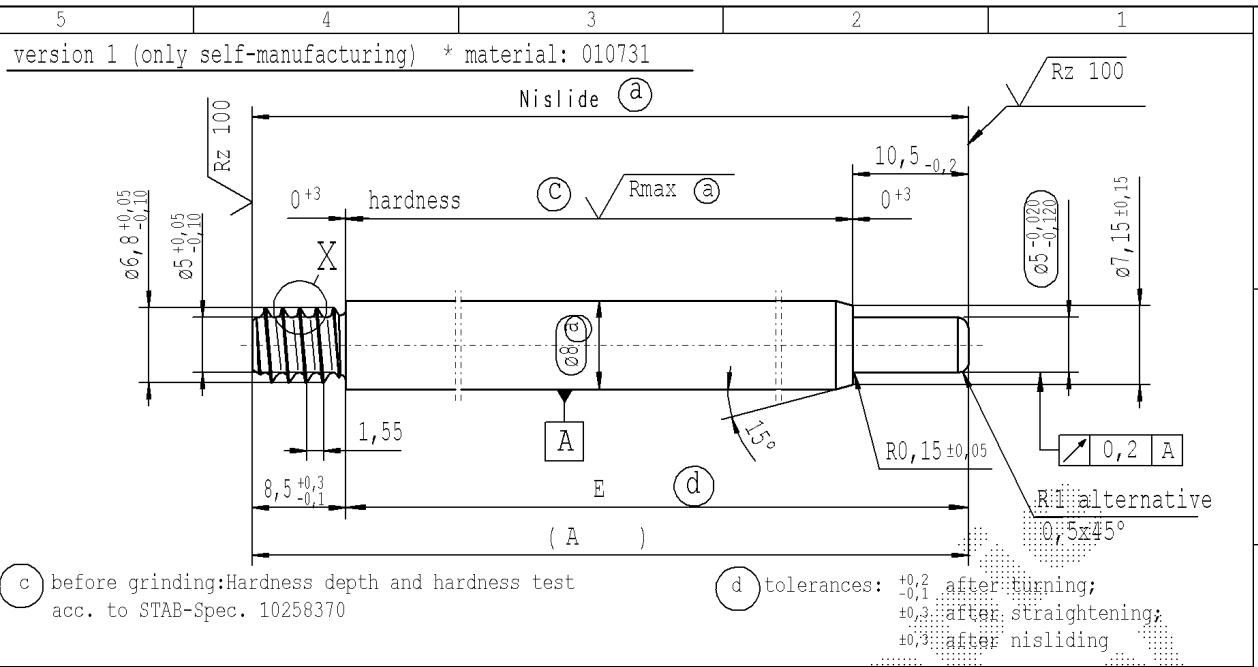
Intended for internal and supplier use

EN

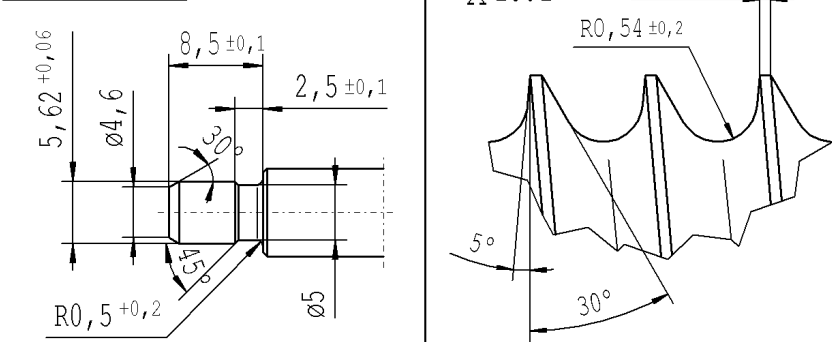
Brevell.datum: 10/11/2020 - 9:35

Ident. Doc.:

supp No.	material no.			A	E
	10006248 Tab. IV version 1	10006248 Tab. X version 1	10028959 Tab. I version 2	overall length	length without endfitting stud
43		011390	011390	258.0	249.5
44		011391	011391	165.0	156.5
45		011392	011392	229.5	221.0
46		008415	008415	397.5	389.0
48		005473	005473	240.0	231.5
50		007196	007196	252.0	243.5
51		8955UI	8955UI	245.0	236.5
52		014191	014191	277.5	269.0
53		0369TL	0369TL	185.5	177.0
54		0431WX	0431WX	268.5	260.0
55		0713WE	0713WE	174.5	166.0
56		0903VA	0903VA	293.0	284.5
57		1451VH	1451VH	339.0	330.5
59		1589VX	1589VX	284.0	275.5
60		1617VO	1617VO	263.0	254.5
61		2119YT	2119YT	299.5	291.0
62		013610	013610	279.5	271.0
63		3265XZ	3265XZ	247.0	238.5
64		9502VP	9502VP	302.5	294.0



pre-worked: (only self-manufacturing)



AIAG CQI-standards acc. to STAB-Spec. 10027692

Environmental protection acc. to STAB-Spec. 10005649

DE: X	EN: X	ES:	IT:	PR: X	FR:	RO: X	CAD created document; handwritten changes not permitted		Material:
new	position of angle 5° corrected				60-600		© = acc. STAB-Spec. 10258370	new format Internal/Supplier	Tab. X
old	wrong position of angle 5°				100-600		© = RHT 0,4 ... 0,7 mm	Supplier drawing separately	Tab. V
Field	C-D/4-5				B3			B 4-5	Pos. 195
Date/Name	28.03.2019 Hein				26.04.2019 Höfer			15.05.2019 Jablonski	22.04.2020 Höfer
Chg. No.	677185				678147			678682	687145
Rev.	18				19			20	21

All dimensions are in mm		Marking of special characteristics according to STAB-Spec. 10270932		Date	Name
Scale: (Original DIN A3) 2:1		Dimensions without tolerances DIN ISO 2768-mK		Drawn by	05.12.2007 Höfer
We reserve all rights to this document, to any patents or patent registrations related hereto, and to the duplication, retransmission by third parties and misc. use. Any use of this document is not permitted without the written consent of STABILUS.		Document No.:		Checked	22.04.2020 Klinkner
STABILUS		PISTON ROD		10151065	
				Material No.:	

sheet 3 of 14