

The print-out is not subject to the modification service.

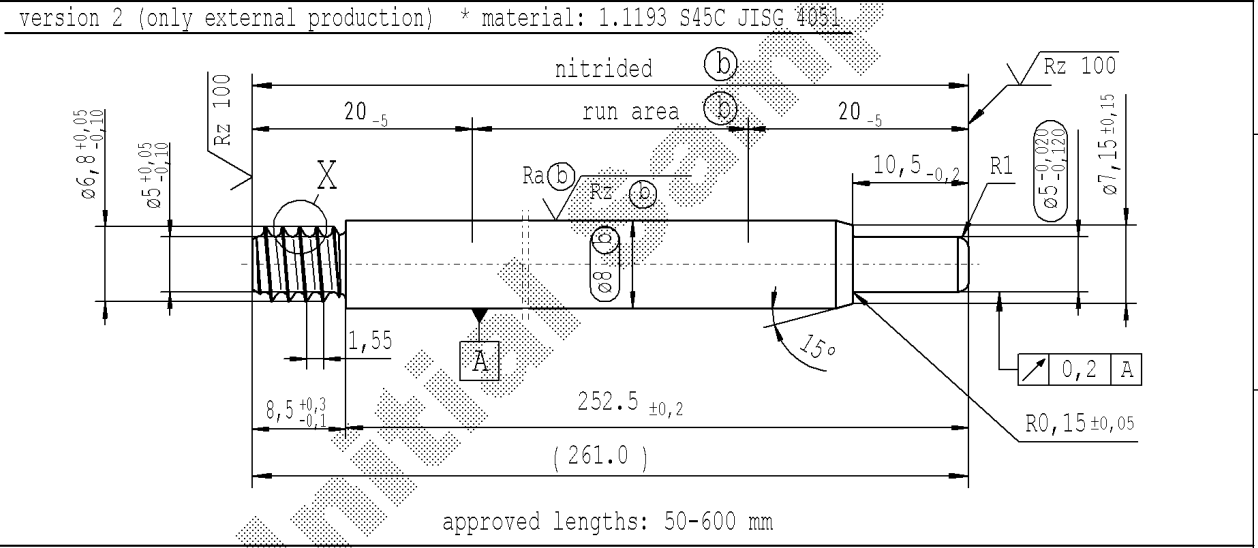
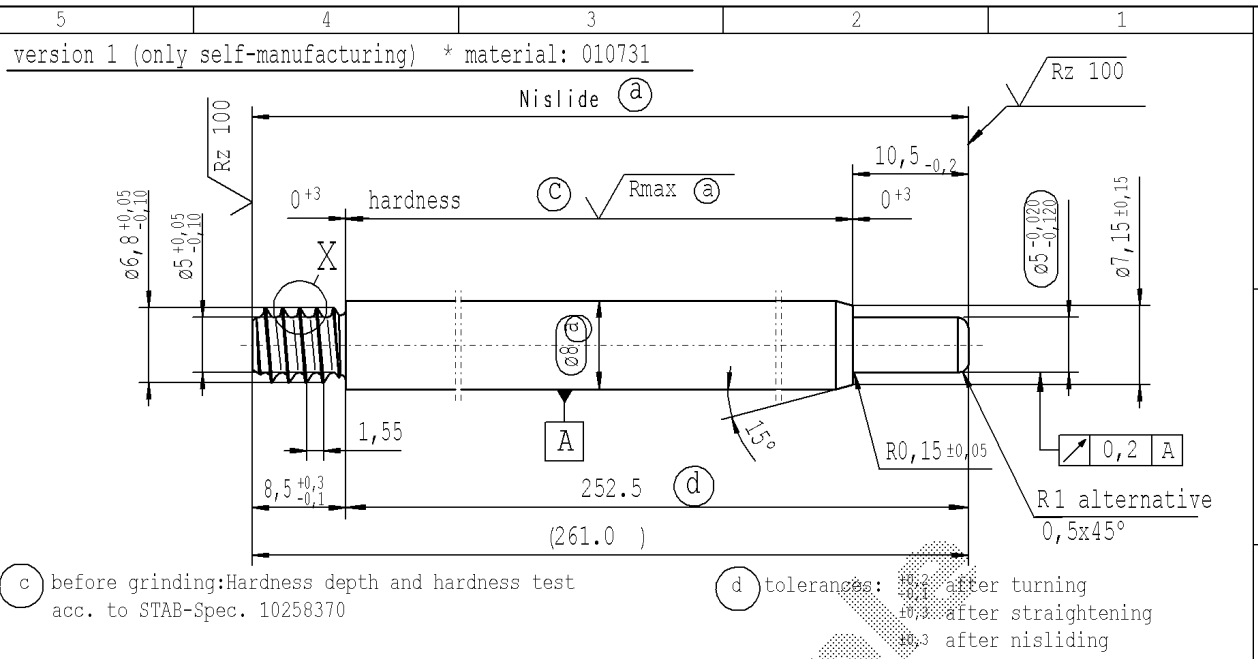
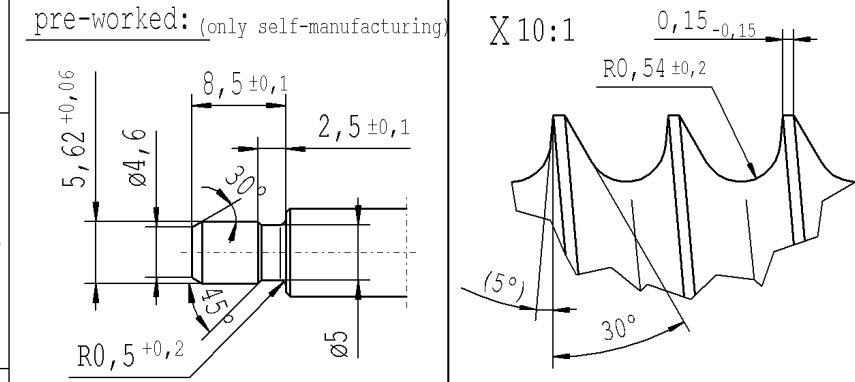
Intended for internal and supplier use

EN

Ident. Doc.:

Date: 28.05.2021 / 13:11:16 \*\*\*\*\* Ausdruck nicht massoetretu \*\*\*\*\*

supp No.	material no. processing and surface treatment acc. to STAB-Spec. 10006248 Tab.XVI (a) version 1	10028959 Tab. I (b) version 2	A overall length	E length without endfitting stud
58	878133	878133	243.0	234.5
59	935254	935254	199.0	190.5
60	936688	936688	237.0	228.5
61	958915	958915	261.0	252.5
62	995004	995004	231.0	222.5
63	035659	035659	165.0	156.5
64	037093	037093	98.0	89.5
65	037571	037571	230.5	222.0
66	045219	045219	351.0	342.5
67	060993	060993	195.0	186.5
68	067446	067446	222.0	213.5
69	078440	078440	130.5	122.0
70	099233	099233	120.5	112.0
71	109032	109032	217.0	208.5
72	117875	117875	172.0	163.5
73	139624	139624	188.0	179.5
74	183122	183122	143.5	135.0
75	189575	189575	411.0	402.5
76	192443	192443	93.0	84.5



approved lengths: 50-60 mm

$\sqrt{Rz\ 25}$  ( $\sqrt{Rz\ 100}$   $\sqrt{Rmax\ (a)}$   $\sqrt{Ra\ (b)}$   $\sqrt{Rz\ (b)}$ )  $\sqrt{\pm 0,2}$   $\sqrt{-0,2}$

sheet 4 of 7

AIAG CQI-standards acc. to STAB-Spec. 10027692				Environmental protection acc. to STAB-Spec. 10005649			
DE: X	EN: X	ES:	IT:	PR: X	FR:	RO: X	
new ±0,2 no technical change, no new first sample required				(5°) no technical change, no new first sample required			
old (3)				5°			
Field B/3				B/6-7			
Date/Name 03.02.2021 Hein				08.04.2021 Hein			
Chg. No. 694938				696948			
Rev. 5				5			
Material: *				All dimensions are in mm			
Edge tolerances acc. to DIN ISO 13715				Marking of special characteristics according to STAB-Spec. 10270932			
Surface finish DIN EN ISO 1302				Date 30.03.2017 Name vamueller			
Replaces:				Checked 08.04.2021 Klinkner			
STABILUS				Document No.: 10243257			
				Material No.:			