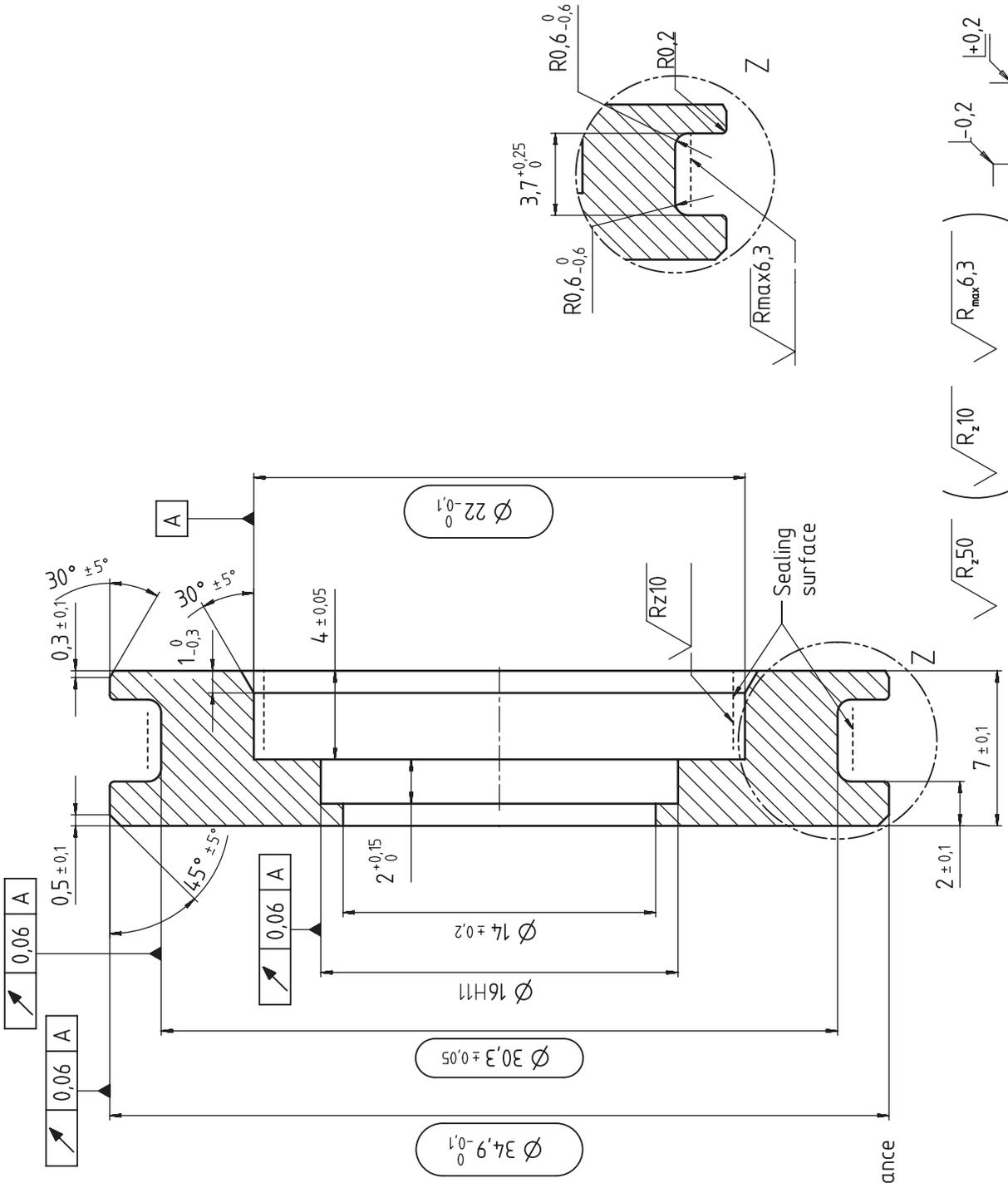


E	D	C	B	A	1
E	D	C	B	A	2
E	D	C	B	A	3
E	D	C	B	A	4
E	D	C	B	A	5
E	D	C	B	A	6
E	D	C	B	A	7
E	D	C	B	A	8



Surface: Zinc/Nickel, transparent passivated acc. to Stab-Spec. 10133806-4
 -deviating to Stab-Spec: 96h corrosion resistance test acc. to DIN EN ISO 9227-NSS without zinc and metal corrosion
 To be delivered free of burrs and loose residues

DE: X	EN: X	ES:	IT:	PT:	FR:	RO:	AIAG CQI-standards acc. to STAB-Spec. 10027692	Environmental protection acc. to STAB-Spec. 1000564-9
new	New release						All dimensions are in mm	Marking of special characteristics acc. to STAB-Spec. 10270932
old	-						Scale: (Original DIN A3) 5:1	Dimensions without tolerances DIN ISO 2768-mK
Field	-						Edge tolerances acc. to DIN ISO 13715	We reserve all rights to this document, to any patents or patent registrations related hereto, and to the duplication, retransmission or any other use of this document without the written consent of STABILUS. CAD created document; handwritten changes not permitted
Date/Name	19.05.2021 / Lontis N.						Surface finish DIN EN ISO 1302	Document No.: 10293891
Change No	DC-20210519						Replaces:	Material No.: 780623
Revision	0						Change no:	