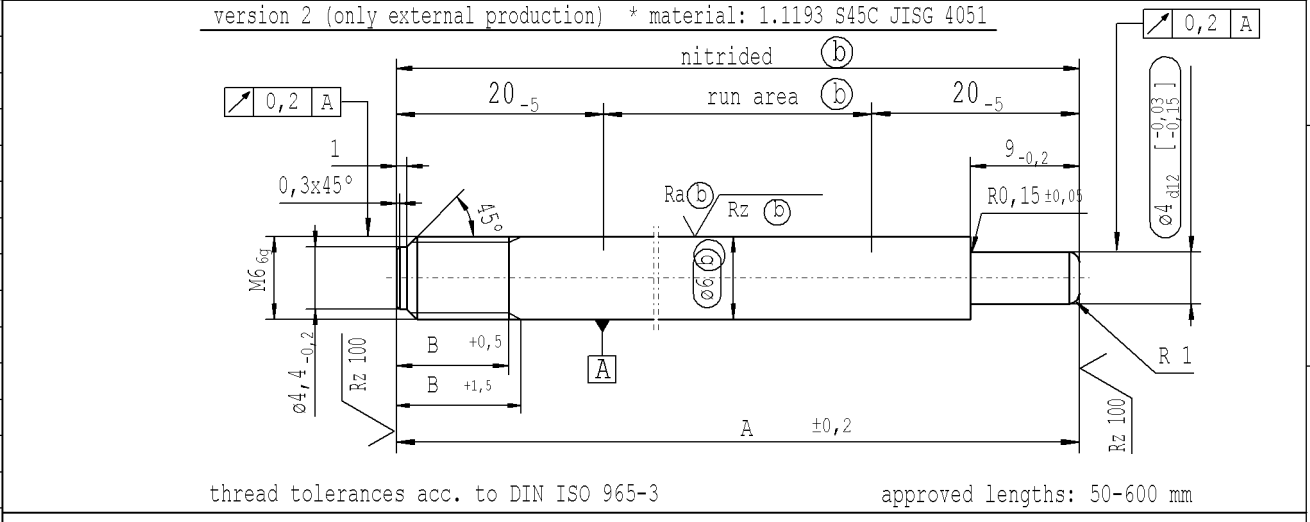
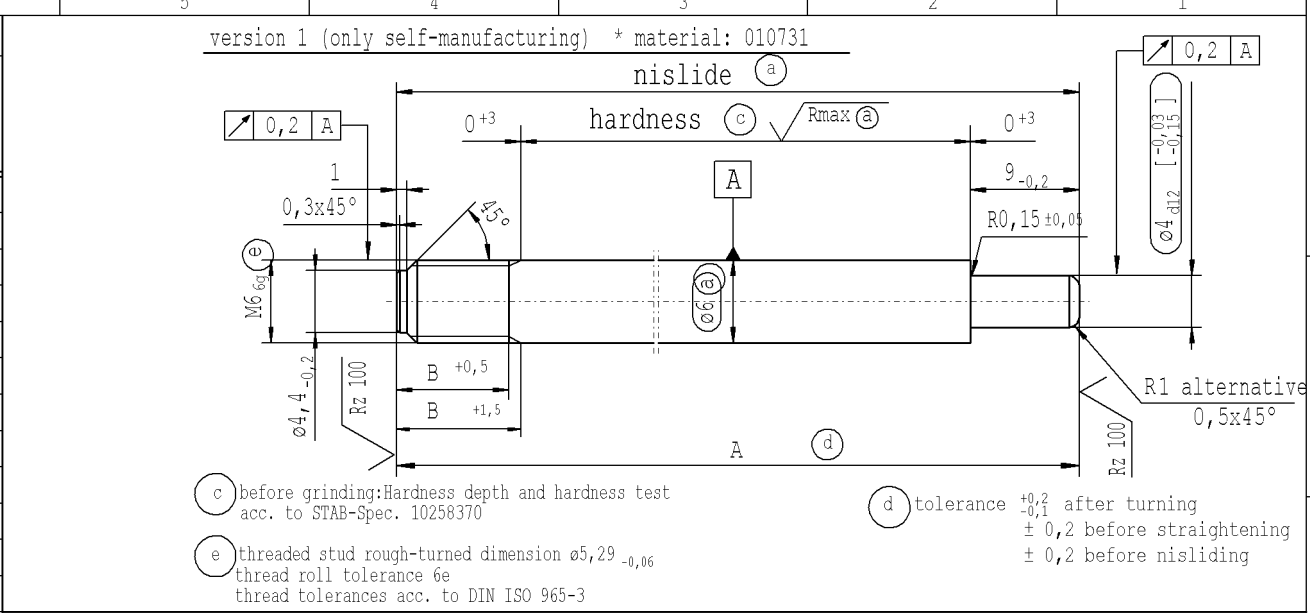


Ident. Doc.: 2/6/2021 - 12:14

| supp. No. | material no.   |                 | A              | B             |
|-----------|--|-----------------|----------------|---------------|
|           | processing and surface treatment acc. to STAB-Spec. 10006248 Tab. IV | 10028959 Tab. I | overall length | thread length |
|           | (a) version 1  | (b) version 2   |                |               |
| 1         | 337740   | 337740          | 174            | 6             |
| 2         | 383867   | 383867          | 138            | 6             |
| 3         | 983763   | 983763          | 144            | 6             |
| 4         | 577470   | 577470          | 141            | 6             |
| X         | XXXXXX   | XXXXXX          | 144            | 6             |



$\sqrt{Rz\ 25} \left( \sqrt{Rz\ 100} \sqrt{Rmax\ (a)} \sqrt{Ra\ (b)} \sqrt{Rz\ (b)} \right) \begin{matrix} \swarrow +0,2 \\ \searrow -0,2 \end{matrix}$

sheet 1  
of 1

|  |                              |                              |     |  |     |            |  |
|--|------------------------------|------------------------------|-----|--|-----|------------|--|
| AIAG CQI-standards acc. to STAB-Spec. 10027692 |                              |                              |     | Environmental protection acc. to STAB-Spec. 10005649             |     |            |  |
| DE: X  | EN: X                        | ES:                          | IT: | PR:  | FR: | RO: X      | Material: *  |
| new  | Ⓢ = acc. STAB-Spec. 10258370 | new format Internal/Supplier |     | Tab X deleted, no technical change, no new first sample required |     |            | All dimensions are in mm   |
| old  | Ⓢ = RHT 0,4 ... 0,7 mm       | Supplier drawing separately  |     | -  |     |            | Marking of special characteristics according to STAB-Spec. 10270932  |
| Field  | B4-5                         | -                            |     | -  |     |            | Scale: (Original DIN A3) 2:1   |
| Date/Name                                      | 24.04.2019 Höfer             | 26.10.2020 Hein              |     | 02.06.2021 Jablonski   |     |            | Dimensions without tolerances DIN ISO 2768-mK  |
| Chg. No.                                       | 678037                       | 692033                       |     | 697821   |     |            | We reserve all rights to this document, to any patents or patent registrations related hereto, and to the duplication, retransmission by third parties and misc. use. Any use of this document is not permitted without the written consent of STABILUS. |
| Rev.   | 2                            | 3                            |     | 3  |     |            |  |
|  |                              |                              |     | <b>STABILUS</b>  |     | PISTON ROD |  |
|  |                              |                              |     |  |     |            | Document No.: 10249645   |
|  |                              |                              |     |  |     |            | Material No.:  |

