

The print-out is not subject to the modification service.

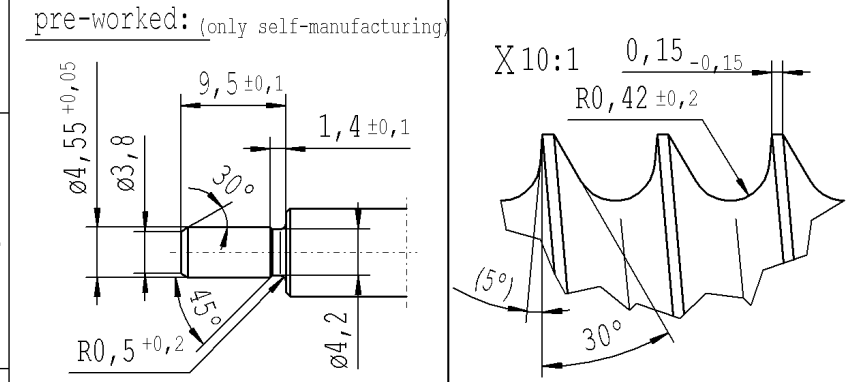
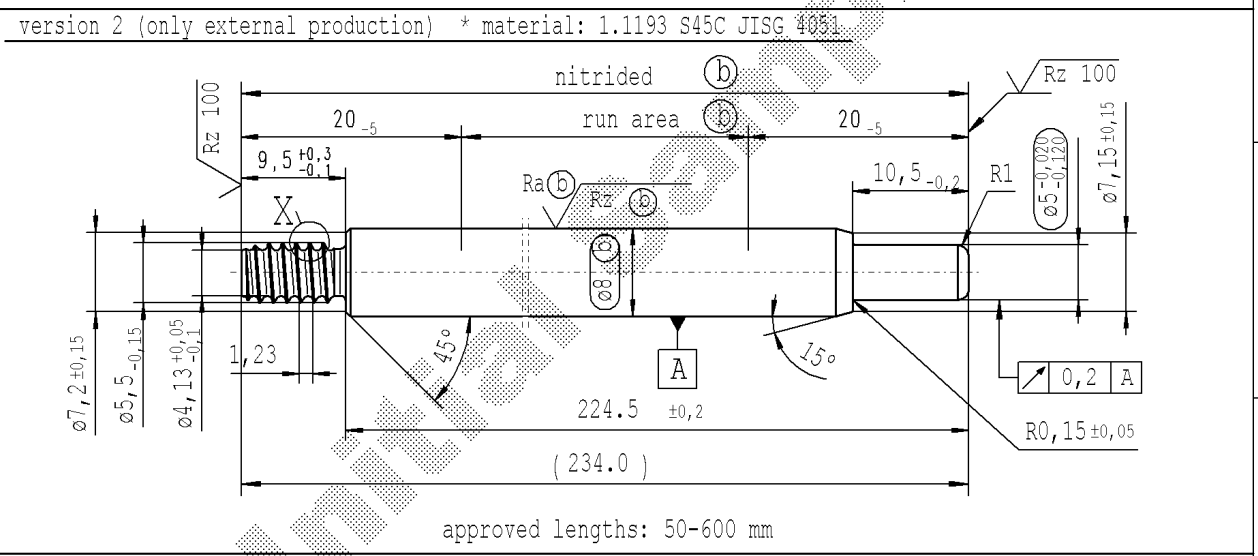
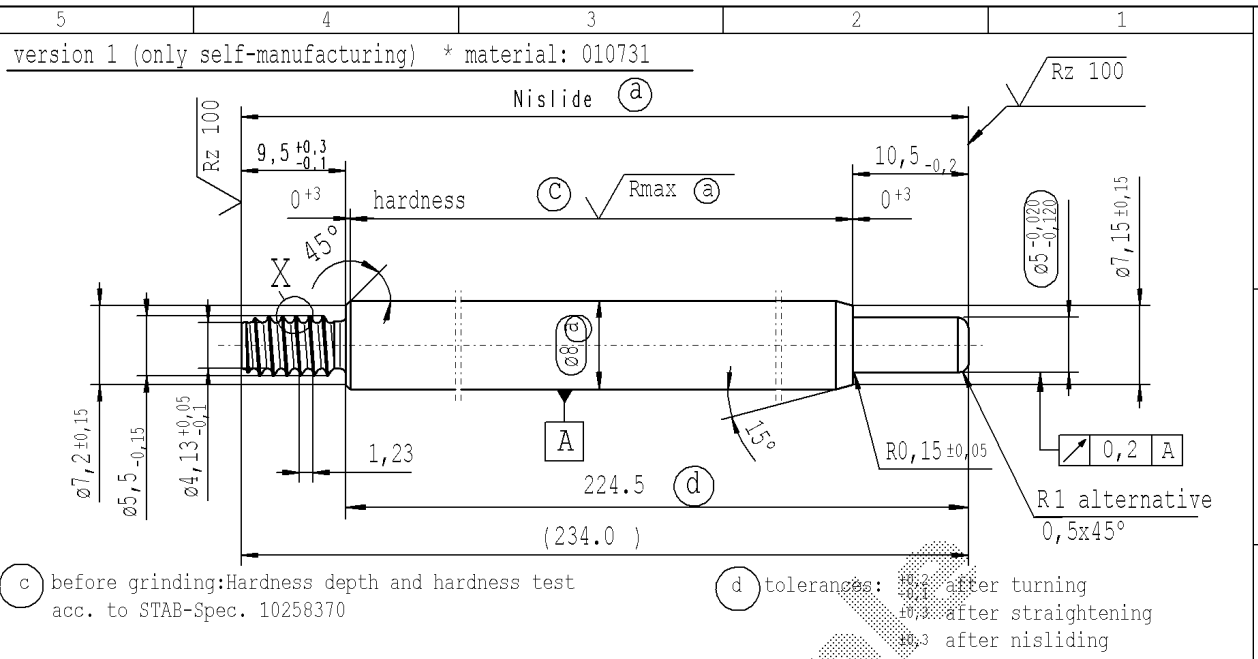
Intended for internal and supplier use

EN

Brevet.datum: 21/12/2021 - 9:22

Ident. Doc.:

supp No.	material no.		A	E
	10006248 Tab. XVI version 1	10028959 Tab. I version 2	overall length	length without endfitting stud
39	291628	291628	217.5	208.0
40	293062	293062	309.0	299.5
41	504816	504816	211.5	202.0
42	506967	506967	235.5	226.0
43	507445	507445	204.0	194.5
44	507923	507923	203.5	194.0
45	508401	508401	291.0	281.5
46	509118	509118	273.0	263.5
47	510074	510074	258.0	248.5
48	510552	510552	282.0	272.5
49	512942	512942	249.0	239.5
50	516288	516288	102.0	92.5
51	517483	517483	234.0	224.5
52	520590	520590	246.0	236.5
53	528238	528238	276.0	266.5
54	529194	529194	221.0	211.5
55	538276	538276	219.5	210.0
56	540427	540427	292.0	282.5
57	541144	541144	238.0	228.5



sheet 3 of 4

AIAG CQI-standards acc. to STAB-Spec. 10027692				Environmental protection acc. to STAB-Spec. 10005649									
DE: X	EN: X	ES:	IT:	PR: X	FR:	RO: X	CAD created document handwritten changes not permitted	Material: *	All dimensions are in mm	Marking of special characteristics according to STAB-Spec. 10270932	Date	Name	
new	no technical change, no new first sample required			(5°) no technical change, no new first sample required					Scale: (Original DIN A3) 2:1	Dimensions without tolerances DIN ISO 2768-mK	Drawn by	01.06.2018 Höfer	
old	Tab IV			5°				Edge tolerances acc. to DIN ISO 13715			Checked	08.04.2021 Klinkner	
Field	C-F 8			B/6-7				Surface finish DIN EN ISO 1302			Document No.:	10254976	
Date/Name	16.12.2020 Hein			08.04.2021 Hein				Replaces:	We reserve all rights to this document, to any patents or patent registrations related hereto, and to the duplication, retransmission by third parties and misc. use. Any use of this document is not permitted without the written consent of STABILUS.			Material No.:	
Chg. No.	693200			696948					STABILUS				
Rev.	3			3					PISTON ROD				