

The print-out is not subject to the modification service.

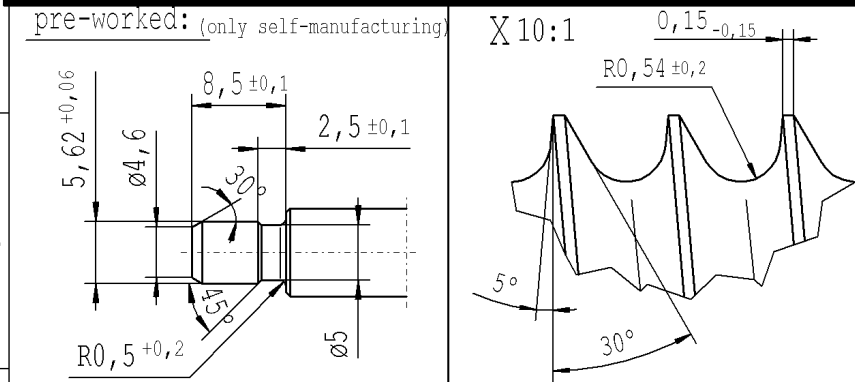
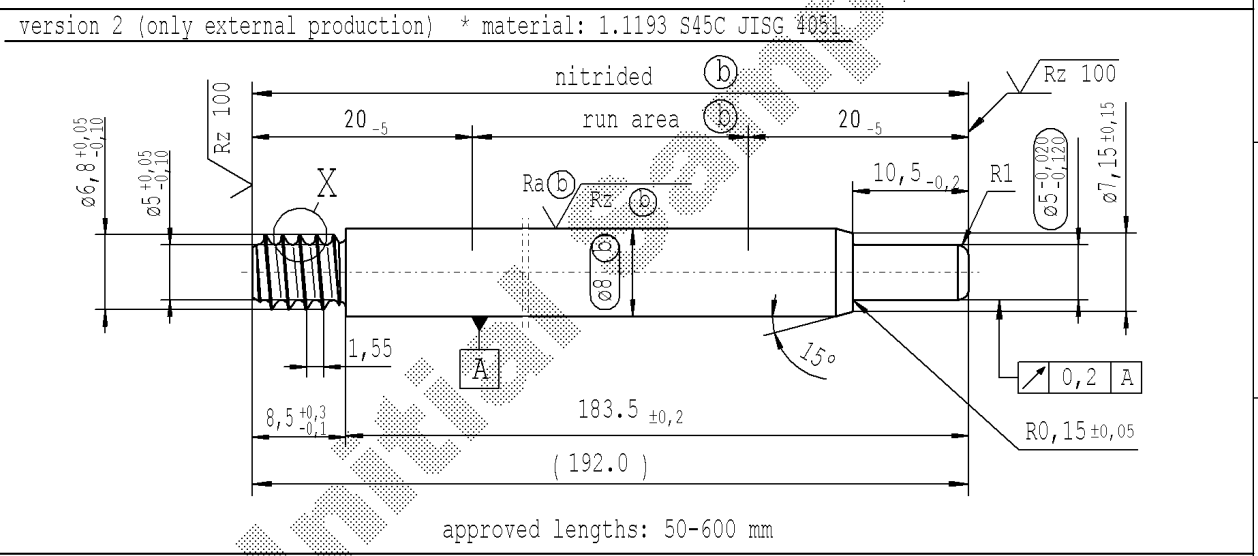
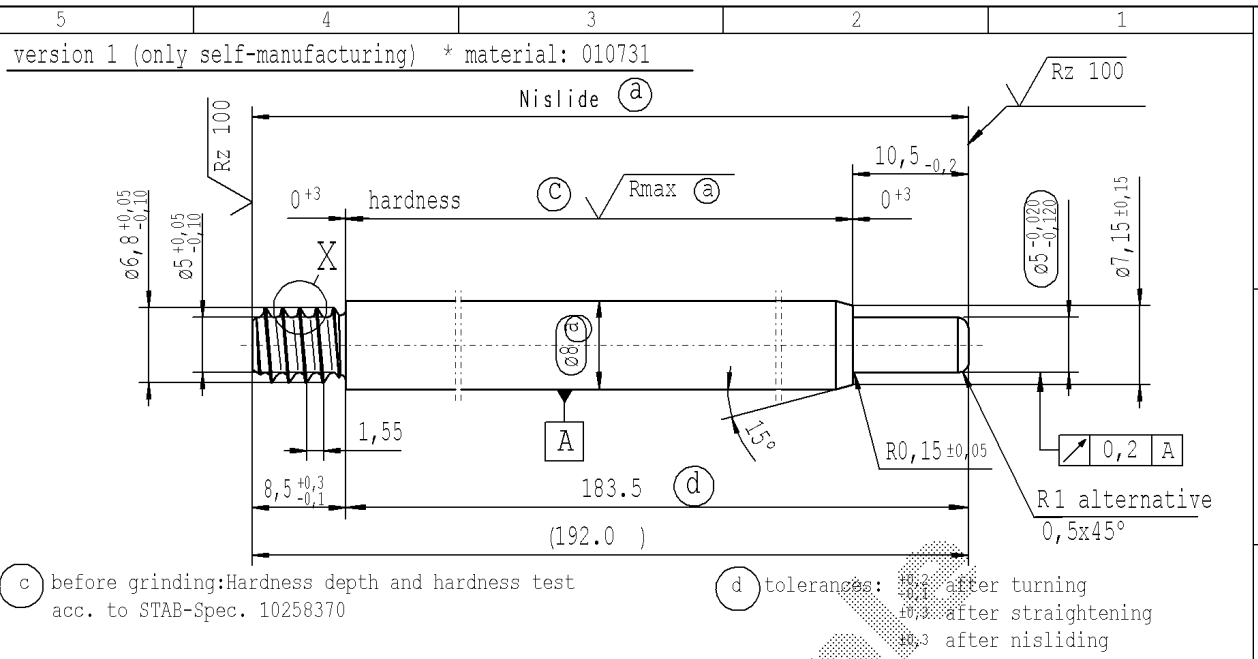
Intended for internal and supplier use

EN

Breveldatum: 14/12/2021 - 8:52

Ident. Doc.:

supp No.	material no.		A	E
	processing and surface treatment acc. to STAB-Spec.		overall length	length without endfitting stud
	10006248 Tab.XVI (a) version 1	10028959 Tab. I (b) version 2		
39	495016	495016	265.0	256.5
40	497406	497406	216.0	207.5
41	500274	500274	198.0	189.5
42	504576	504576	273.0	264.5
43	507683	507683	288.0	279.5
44	732104	732104	279.0	270.5
45	768432	768432	348.0	339.5
46	782055	782055	108.0	99.5
47	789464	789464	276.0	267.5
48	798785	798785	223.0	214.5
49	800458	800458	387.0	378.5
50	801175	801175	250.0	241.5
51	801653	801653	257.0	248.5
52	802848	802848	336.0	327.5
53	808584	808584	135.0	126.5
54	812169	812169	377.0	368.5
55	857818	857818	201.0	192.5
56	866900	866900	345.0	336.5
57	869051	869051	192.0	183.5



sheet 3 of 6

AIAG CQI-standards acc. to STAB-Spec. 10027692						Environmental protection acc. to STAB-Spec. 10005649							
DE: X	EN: X	ES:	IT:	PR: X	FR:	RO: X	CAD created document handwritten changes not permitted			Material: *			
new	-	new format Internal/Supplier			±0,2 no technical change, no new first sample required			All dimensions are in mm			Marking of special characteristics according to STAB-Spec. 10270932		
old	Tab IV	Supplier drawing separately			©			Scale: (Original DIN A3) 2:1			Dimensions without tolerances DIN ISO 2768-mK		
Field	A-F 8	-			B/3			Edge tolerances acc. to DIN ISO 13715			We reserve all rights to this document, to any patents or patent registrations related hereto, and to the duplication, retransmission by third parties and misc. use. Any use of this document is not permitted without the written consent of STABILUS.		
Date/Name	13.06.2019 Höfer	20.03.2020 Höfer			03.02.2021 Hein			Surface finish DIN EN ISO 1302			Document No.: 10243257		
Chg. No.	678620	687201			694938			Replaces:			Material No.:		
Rev.	4	5			5			<b>STABILUS</b>			<b>PISTON ROD</b>		