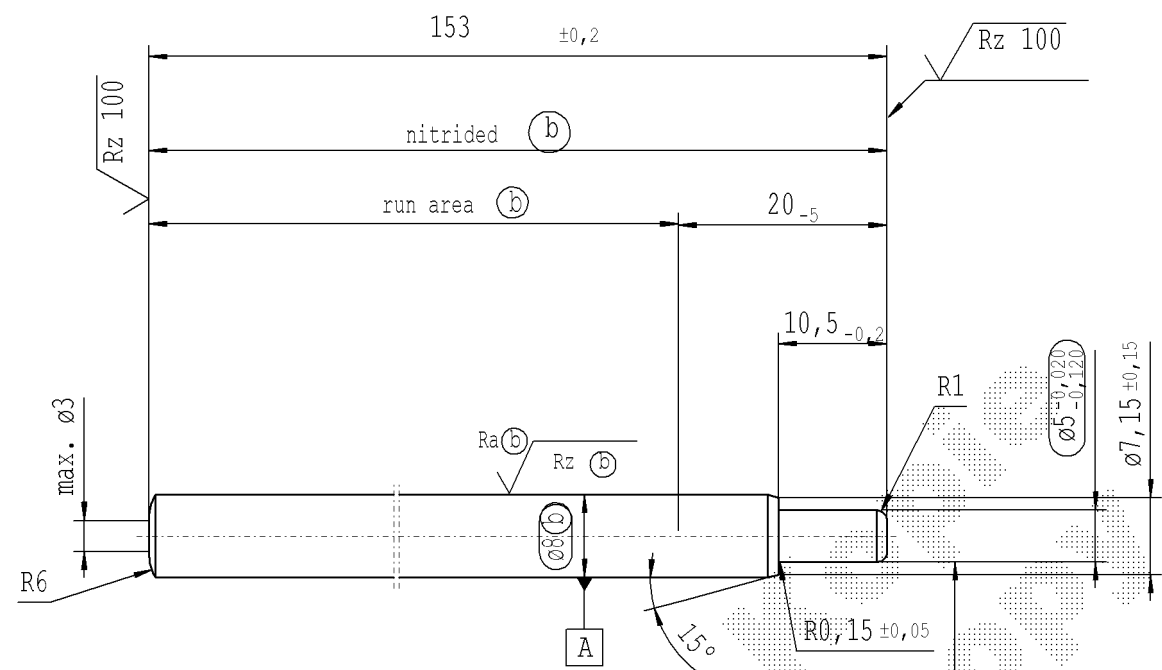


The print-out is not subject to the modification service.

Intended for internal and supplier use

Ident. Doc.: 19/2/2021 - 14:28

supp No.	material no.	A
	Surface treatment STAB-Spec. 10028959 Tab.I (b)	overall length
1	201986	138
2	897482	252
3	898438	129
4	499071	150
5	763645	216
6	246213	153
7	375751	165
8	906332	84
9	100425	330
10	100664	273
11	104010	228
12	911591	201
13	441479	369
14	481870	141
15	483543	123
16	484499	180
17	492625	171
18	916612	162
19	918524	222
20	919958	192
21	923304	270



external production * material: 1.1193 S45C JISG 4051

approved lengths: 50-600 mm

√ Rz 25 (√ Rz 100 (Ra (b) Rz (b)) √ ±0,2 √ ±0,2

sheet 1
of 1

AIAG CQI-standards acc. to STAB-Spec. 10027892										Environmental protection acc. to STAB-Spec. 10005649									
DE: X	EN: X	ES:	IT:	PR:	FR:	RO: X	CAD created document handwritten changes not permitted			Material: *	All dimensions are in mm		Marking of special characteristics according to STAB-Spec. 10270932		Drawn by	Date	Name		
new	revised	product family: 2019/0334			Ⓢ = acc. STAB-Spec. 10258370	new format Supplier				Scale: (Original DIN A3) 2:1		Dimensions without tolerances DIN ISO 2768-mK		Checked	06.03.2017	Höfer			
old	-	product family: 2018/xxxx			Ⓢ = RHT 0,4 ... 0,7 mm	Supplier drawing separately				Edge tolerances acc. to DIN ISO 13715					09.11.2020	Klinkner			
Field	-	C/5-6			B 5-6					Surface finish: DIN EN ISO 1302				Document No.: 10242572					
Date/Name	17.09.2018 Höfer	10.04.2019 Hein			08.05.2019 Höfer	09.11.2020 Donat				Registries:				Material No.:					
Chg. No.	671841	677737			678170	692739				Registries:									
Rev.	1	2			3	4				STABILUS		PISTON ROD							