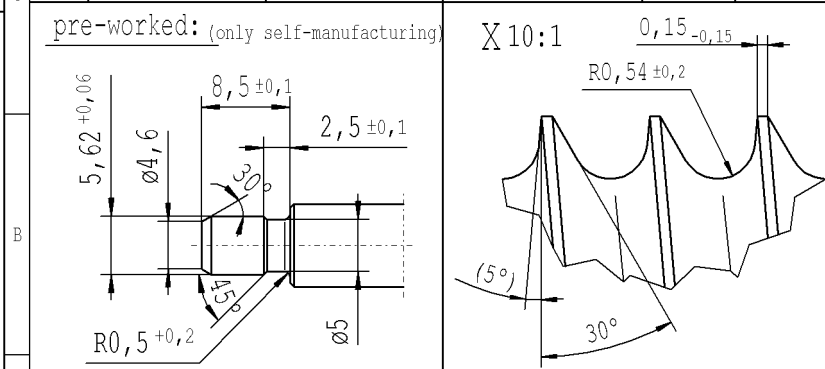
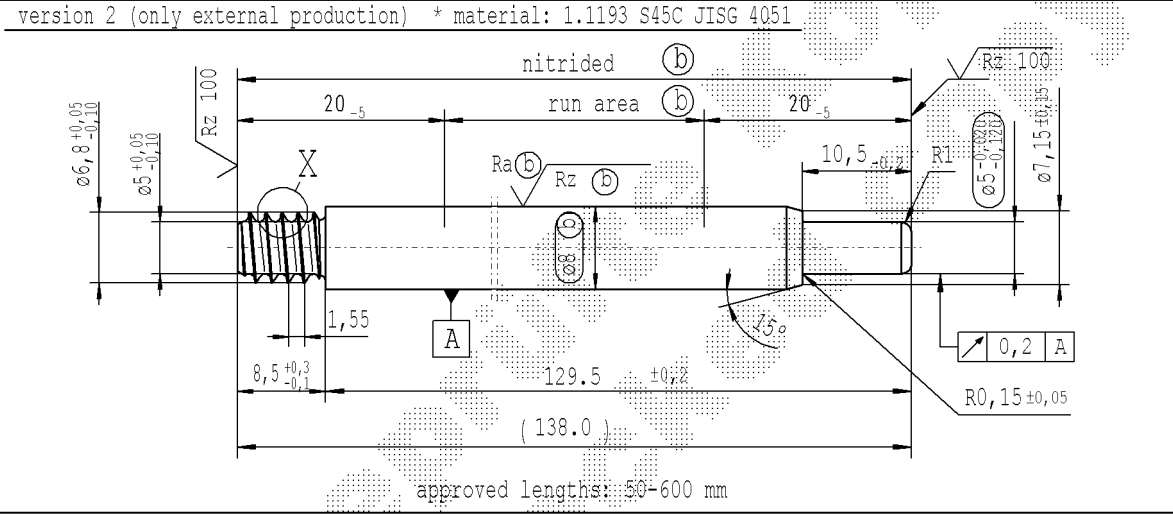
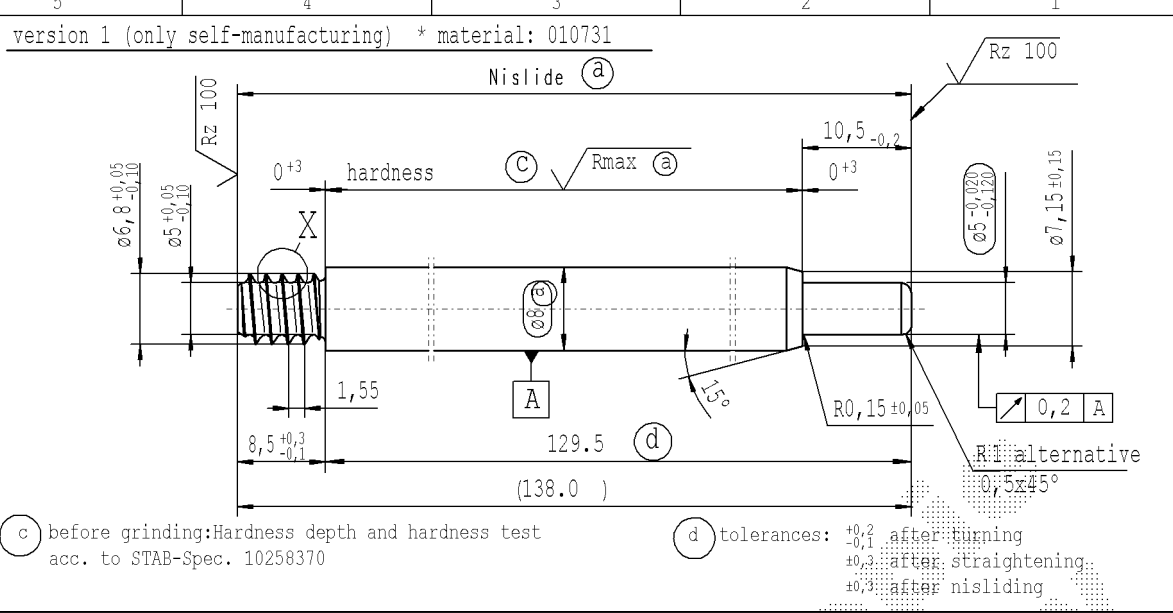


The print-out is not subject to the modification service.

Intended for internal and supplier use

Ident. Doc.: ERP011.dwg; 12/02/2021 - 8:50

supp No.	material no.			A	E
	processing and surface treatment acc. to STAB-Spec.				
	10006248 Tab. IV (a) version 1	10006248 Tab. X (a) version 1	10028959 Tab. I (b) version 2		
226	106381	106381	106381	127.0	118.5
227	109966	109966	109966	367.0	358.5
228	111400	111400	111400	138.0	129.5
229	111878	111878	111878	159.0	150.5
230	114746	114746	114746	123.0	114.5
231	115224	115224	115224	256.0	247.5
232	116658	116658	116658	271.5	263.0
233	130042	130042	130042	286.0	277.5
234	130520	130520	130520	302.0	293.5
235	144621	144621	144621	321.0	312.5
236	657515	657515	657515	249.0	240.5
237	410628	410628	410628	283.0	274.5
238	964391	964391	964391	183.0	174.5
241	779406	779406	779406	360.0	351.5
243	958420	958420	958420	182.0	173.5
246	205332	205332	205332	173.5	165.0
248	349688	349688	349688	267.0	258.5
249	350166	350166	350166	158.0	149.5
251	351600	351600	351600	276.0	267.5



DE: X				EN: X				ES: X				IT: X				PR: X				FR: X				RO: X				CAD created document handwritten changes not permitted				Material: *				All dimensions are in mm				Marking of special characteristics according to STAB-Spec. 10270932				Date: 05.12.2007				Name: Höfer			
new				⊙ = acc. STAB-Spec. 10258370				new format Internal/Supplier				Tab. X				(5°) no technical change, no new first sample required				Edge tolerances acc. to DIN ISO 13715				Scale: (Original DIN A3) 2:1				Dimensions without tolerances DIN ISO 2768-mK				Checked: 31.03.2021				Klinkner															
old				⊙ = RHT 0,4 ... 0,7 mm				Supplier drawing separately				Tab. V				5°				Surface finish: DIN EN ISO 1302				We reserve all rights to this document, to any patents or patent registrations related hereto, and to the duplication, retransmission by third parties and misc. use. Any use of this document is not permitted without the written consent of STABILUS.				Document No.: 10151065																							
Field				B 4-5				-				Pos.195				B/6-7				Registries:				PISTON ROD				Material No.:																							
Date/Name				15.05.2019 Jablonski				22.04.2020 Höfer				31.03.2021 Hein																																							
Chg. No.				678682				687145				696924																																							
Rev.				20				21				21																																							

sheet 12 of 14

STABILUS

PISTON ROD