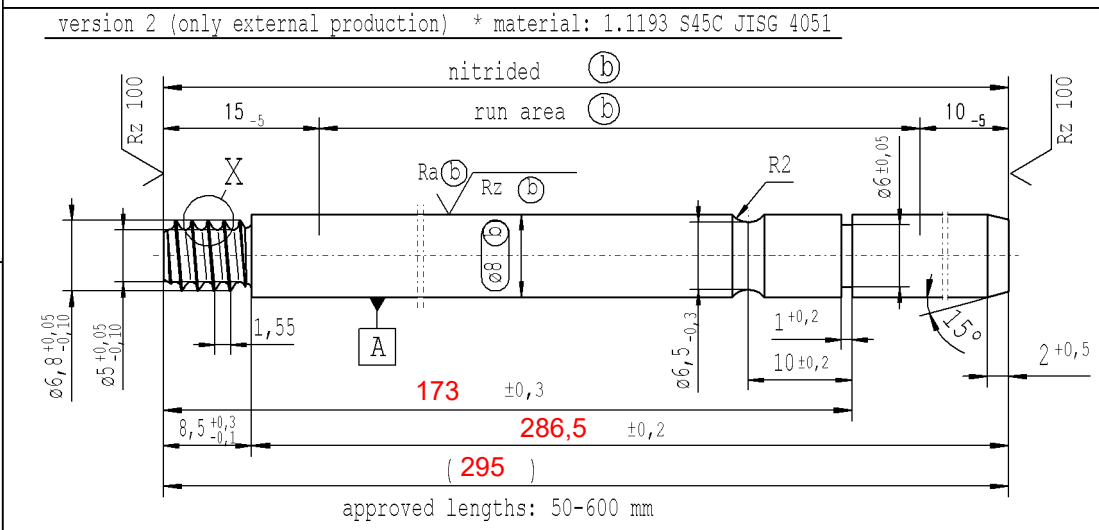
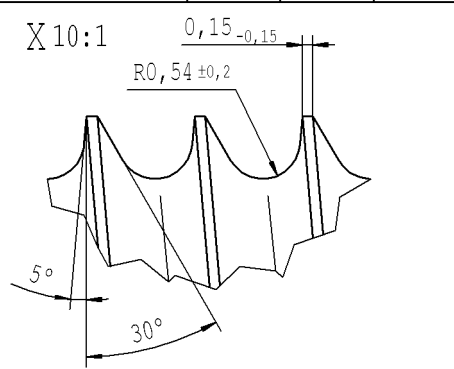
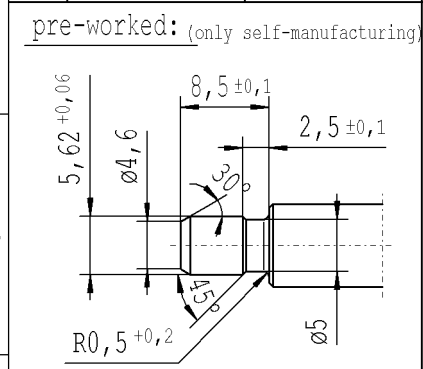


The print-out is not subject to the modification service.

Intended for internal and supplier use

Ident. Doc.:

supp No.	material no.			A	E	F
	processing and surface treatment acc. to STAB-Spec.			overall length	length without endfitting stud	length to groove end
	10006248 Tab. IV version 1 (a)	10006248 Tab. X version 1 (a)	10028959 Tab. I version 2 (b)	295	286,5	173



$\sqrt{Rz\ 25}$ ($\sqrt{Rz\ 100}$ $\sqrt{R_{max}\ (a)}$ $\sqrt{Ra\ (b)}$ $\sqrt{Rz\ (b)}$) $\begin{matrix} \swarrow +0,2 \\ \searrow -0,2 \end{matrix}$

sheet 1 of 1

DE: X				EN: X				ES: X				IT: X				PR: X				FR: X				RO: X				Material: *				All dimensions are in mm				Marking of special characteristics according to STAB-Spec. 10270932				Date: 16.10.2017				Name: Höfer			
new				position of angle 5° corrected 8,5				+0,3 -0,1				© = acc. STAB-Spec. 10258370				2019/0882				new format Internal/Supplier				Edge tolerances acc. to DIN ISO 13715				Scale: (Original DIN A3) 2:1				Dimensions without tolerances DIN ISO 2768-mK				Checked: 30.06.2020				Klinkner							
old				wrong position of angle 5° (8,5)								© = RHT 0,4 ... 0,7 mm				2018/xxxx				Supplier drawing separately				Surface finish DIN EN ISO 1302				We reserve all rights to this document, to any patents or patent registrations related hereto, and to the duplication, retransmission by third parties and misc. use. Any use of this document is not permitted without the written consent of STABILUS.				Document No.: 10249121				Material No.:											
Field				B-C/1-3 D/4				B8				B6				-				Replaces:				STABILUS				PISTON ROD																			
Date/Name				15.03.2019 Hein				24.04.2019 Höfer				17.06.2020 Höfer				30.06.2020 Höfer																															
Chg. No.				676120				678037				689162				689714																															
Rev.				6				7				8				9																															

AIAG CQI-standards acc. to STAB-Spec. 10027692

Environmental protection acc. to STAB-Spec. 10005649

CRD created document handwritten changes not permitted

Material: *

STABILUS

PISTON ROD

Document No.: 10249121

Material No.: