

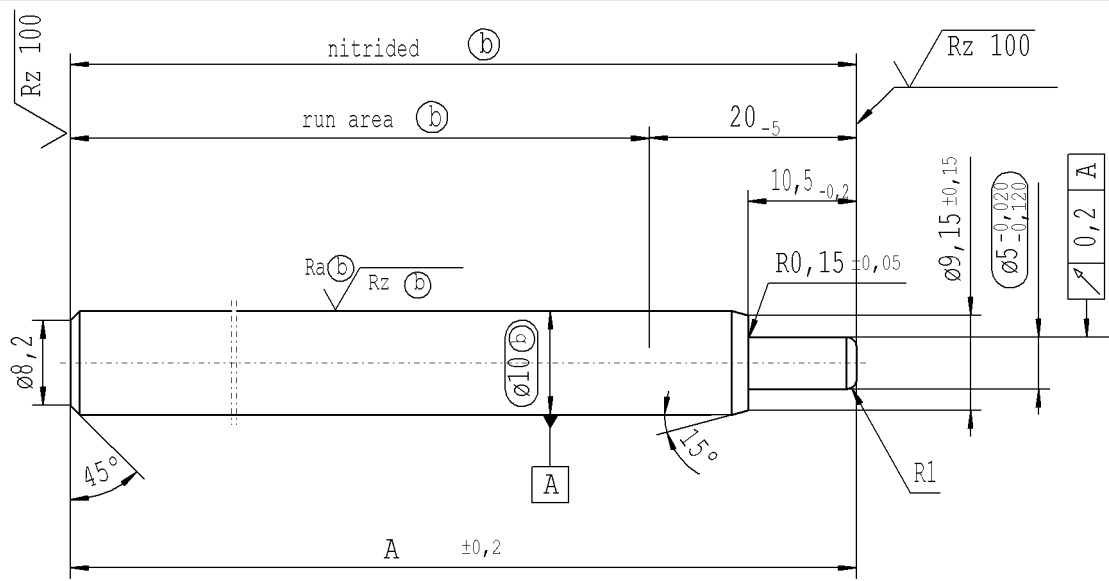
The print-out is not subject to the modification service.

Intended for internal and supplier use

Ident. Doc.: 8:13

Ident. Doc.:

F	supp No.	material no.	A
	Surface treatment STAB-Spec. 10028959 Tab.I (b)		overall length
	1	313832	348
	2	314788	150
	3	315505	450
	4	315983	201
	5	324826	402
E	6	327933	300
	7	340122	231
	8	342034	252
	9	342512	234
	10	365456	249
	11	365934	129
D	12	373343	117
	13	381947	258
	14	094432	123
	15	827451	276
	16	830323	114
	17	875972	195
	18	597299	270
C	19	367862	126
	20	092774	207
	21	480197	351
	22	806912	288
	23	859253	204
	24	859731	105
B	xx	xxxxxxx	102



external production * material: 1.1193 S45C JISG 4051

approved lengths: 50-600 mm

$\sqrt{Rz 25}$ ($\sqrt{Rz 100}$ $\sqrt{R_{max}(a)}$ $\sqrt{Ra(b)}$ $\sqrt{Rz(b)}$) $\sqrt{\pm 0,2}$ $\sqrt{-0,2}$

sheet 1
of 1

AIAG CQI-standards acc. to STAB-Spec. 10027692										Environmental protection acc. to STAB-Spec. 10005649									
DE: X	EN: X	ES:	IT:	PR:	FR:	RO: X	CAD created document; handwritten changes not permitted			Material:	*	All dimensions are in mm	Marking of special characteristics according to STAB-Spec. 10270932		Drawn by	11.01.2008	Höfer		
new	revised	product family: 2016/0255		ZhangShi	new format Internal/Supplier		Edge tolerances acc. to DIN ISO 13715		Surface finish	DIN EN ISO 1302	Scale:	2:1	Dimensions without tolerances DIN ISO 2768 mK		Checked	13.07.2020	Klinkner		
old	-	product family: 2008/0027		China	Supplier drawing separately		Replaces:		We reserve all rights to this document, to any patents or patent registrations related hereto, and to the duplication, retransmission by third parties and misc. use. Any use of this document is not permitted without the written consent of STABILUS.										
Field	-	B/5		B/6/F8	-		Document No.:												
Date/Name	21.01.2016 Höfer	04.03.2016 Hein		19.04.2017 Höfer	03.06.2020 Höfer		10151837												
Chg. No.	632605	634815		655526	688810		Material No.:												
Rev.	7	8		9	10		<div style="display: flex; justify-content: space-between;"> STABILUS PISTON ROD </div>												

