

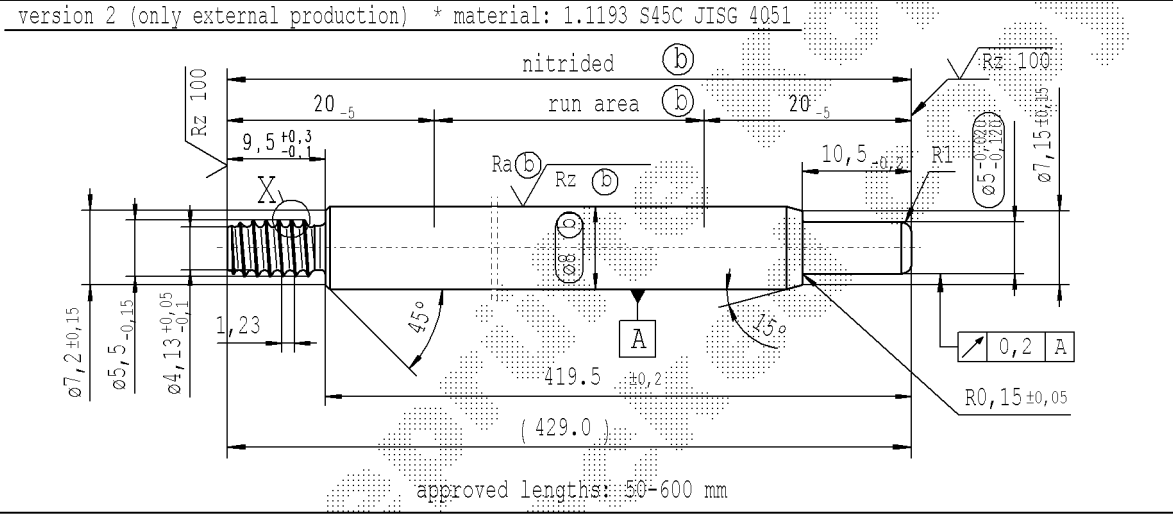
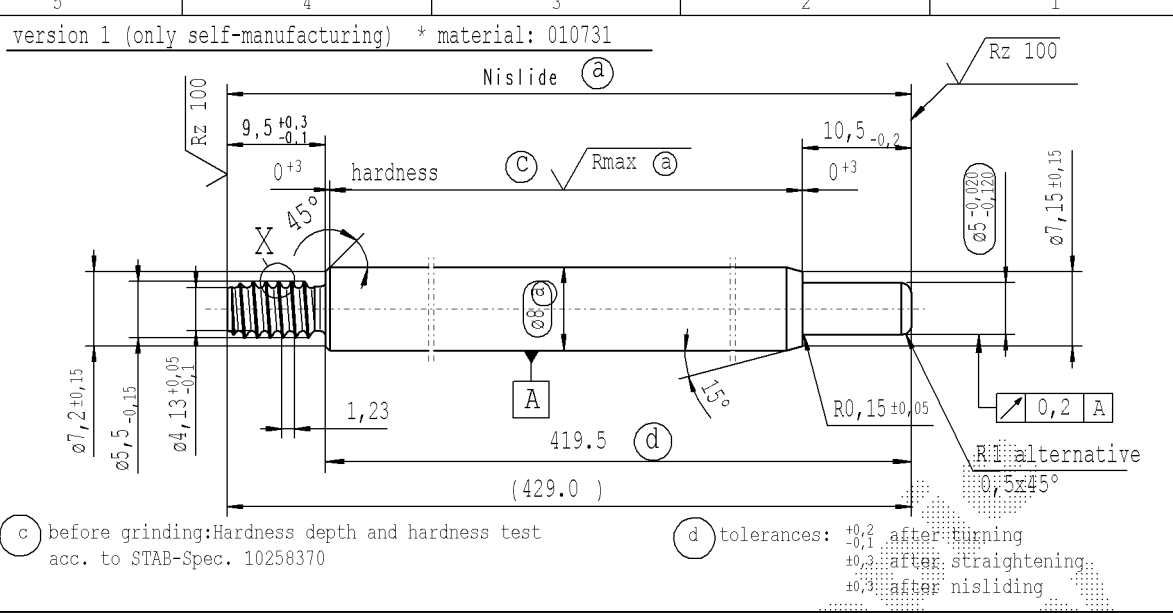
The print-out is not subject to the modification service.

Intended for internal and supplier use

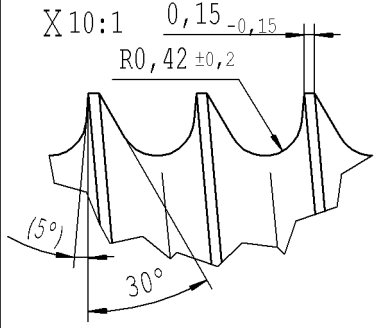
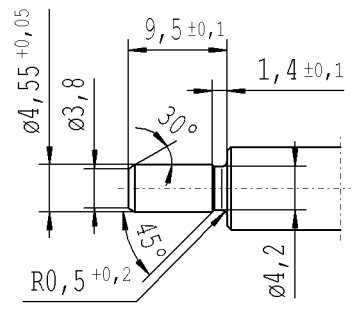
Erzteilenummer: 12/4/2021 - 9:9

Ident. Doc.:

supp No.	material no.			A	E
	processing and surface treatment acc. to STAB-Spec.				
	10006248 Tab. IV (a) version 1	10006248 Tab. X (a) version 1	10028959 Tab. I (b) version 2		
80	201257	201257	201257	192.0	182.5
81	135533	135533	135533	168.0	158.5
82	611382	611382	611382	177.0	167.5
83	077935	077935	077935	159.5	150.0
84	088451	088451	088451	165.5	156.0
85	147486	147486	147486	114.0	104.5
86	440263	440263	440263	102.0	92.5
87	440502	440502	440502	300.0	290.5
88	440741	440741	440741	402.0	392.5
89	450779	450779	450779	501.0	491.5
90	451018	451018	451018	600.0	590.5
91	265076	265076	265076	249.0	239.5
92	345619	345619	345619	429.0	419.5
93	382425	382425	382425	141.0	131.5
94	104708	104708	104708	188.0	178.5
95	105903	105903	105903	204.0	194.5
96	108771	108771	108771	273.0	263.5
97	114268	114268	114268	157.0	147.5
98	117136	117136	117136	135.5	126.0



pre-worked: (only self-manufacturing)



sheet 5  
of 8

DE: X				EN: X				ES: X				IT: X				PR: X				FR: X				RO: X				Material: 1.1193 S45C JISG 4051				Environmental protection acc. to STAB-Spec. 10005649											
CAD created document handwritten changes not permitted																All dimensions are in mm																Marking of special characteristics according to STAB-Spec. 10270932				Date: 05.12.2007				Name: Höfer			
new format Internal/Supplier (5°) no technical change, no new first sample required																Scale: (Original DIN A3) 2:1																Dimensions without tolerances DIN ISO 2768-mK				Checked: 08.04.2021				Klinkner			
old = RHT 0,4 ... 0,7 mm Supplier drawing separately																Edge tolerances acc. to DIN ISO 13715																Surface finish: DIN EN ISO 1302				Regulations:				Document No.: 10151066			
Field: B 4-5																We reserve all rights to this document, to any patents or patent registrations related hereto, and to the duplication, retransmission by third parties and misc. use. Any use of this document is not permitted without the written consent of STABILUS.																Material No.:											
Date/Name: 15.05.2019 Jablonski				17.03.2020 Höfer				08.04.2021 Hein				STABILUS				PISTON ROD				Material No.:																							
Chg. No.: 678682				687147				696926																																			
Rev.: 13				14				14																																			