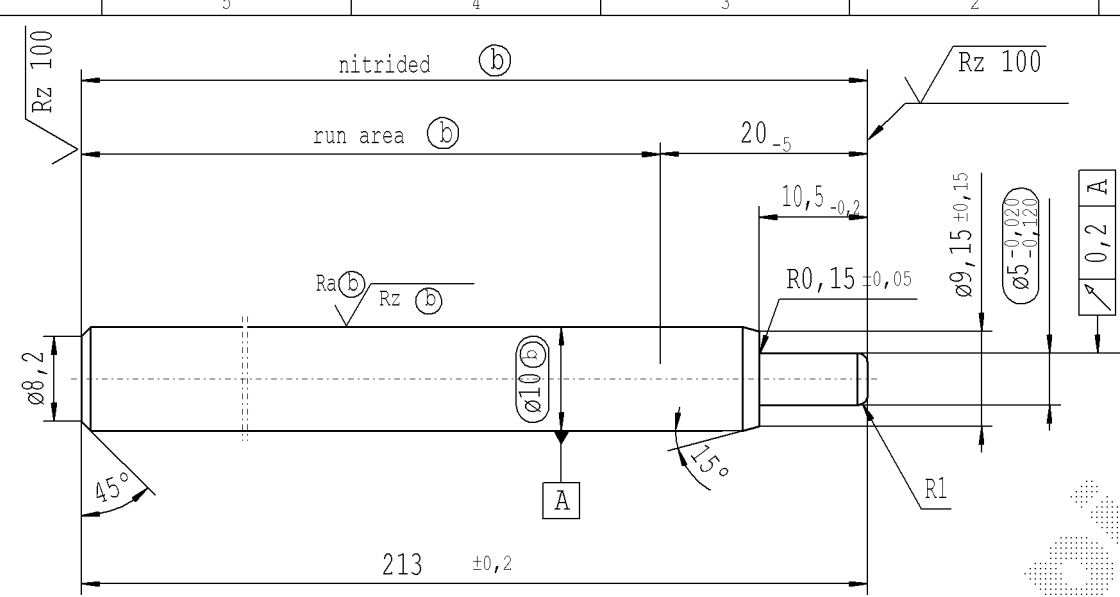


The print-out is not subject to the modification service.

Intended for internal and supplier use

Ident. Doc.: E:\stabil\datum: 19/07/2021 - 8:15

F	supp No.	material no.	A
	Surface treatment STAB-Spec. 10028959 Tab.I (b)		overall length
	1	313832	348
	2	314788	150
	3	315505	450
	4	315983	201
	5	324826	402
E	6	327933	300
	7	340122	231
	8	342034	252
	9	342512	234
	10	365456	249
	11	365934	129
D	12	373343	117
	13	381947	258
	14	094432	123
	15	827451	276
	16	830323	114
	17	875972	195
	18	597299	270
C	19	367862	126
	20	092774	207
	21	480197	351
	22	806912	288
	23	859253	204
	24	859731	105
B	25	682394	213



external production * material: 1.1193 S45C JISG 4051

approved lengths: 50-600 mm

$\sqrt{Rz 25}$ ($\sqrt{Rz 100}$ $\sqrt{R_{max}}$ (a) \sqrt{Ra} (b) \sqrt{Rz} (b)) $\leftarrow \begin{matrix} +0,2 \\ -0,2 \end{matrix}$

sheet 1
of 1

AIAG CQI-standards acc. to STAB-Spec. 10027692										Environmental protection acc. to STAB-Spec. 10005649									
DE: X	EN: X	ES:	IT:	PR:	FR:	RO: X	CAD created document handwritten changes not permitted			Material: *	All dimensions are in mm		Marking of special characteristics according to STAB-Spec. 10270932		Drawn by	Date	Name		
new	revised	product family: 2016/0255		ZhangShi	new format Internal/Supplier					Edge tolerances acc. to DIN ISO 13715	Scale: (Original DIN A3) 2:1		Dimensions without tolerances DIN ISO 2768 mK		Checked	11.01.2008	Höfer		
old	-	product family: 2008/0027		China	Supplier drawing separately					Surface finish: DIN EN ISO 1302					13.07.2020	Klinkner			
Field	-	B/5		B/5						Reguliertes:							Document No.:		
Date/Name	21.01.2016 Höfer	04.03.2016 Hein		19.04.2017 Höfer	03.06.2020 Höfer					We reserve all rights to this document, to any patents or patent registrations related hereto, and to the duplication, retransmission by third parties and misc. use. Any use of this document is not permitted without the written consent of STABILUS.						10151837			
Chg. No.	632605	634815		655526	688810													Material No.:	
Rev.	7	8		9	10					STABILUS		PISTON ROD							