

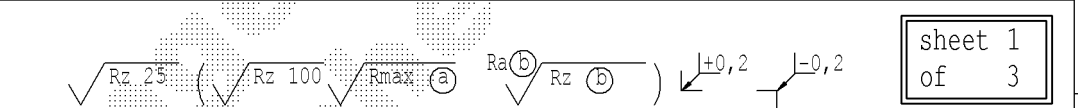
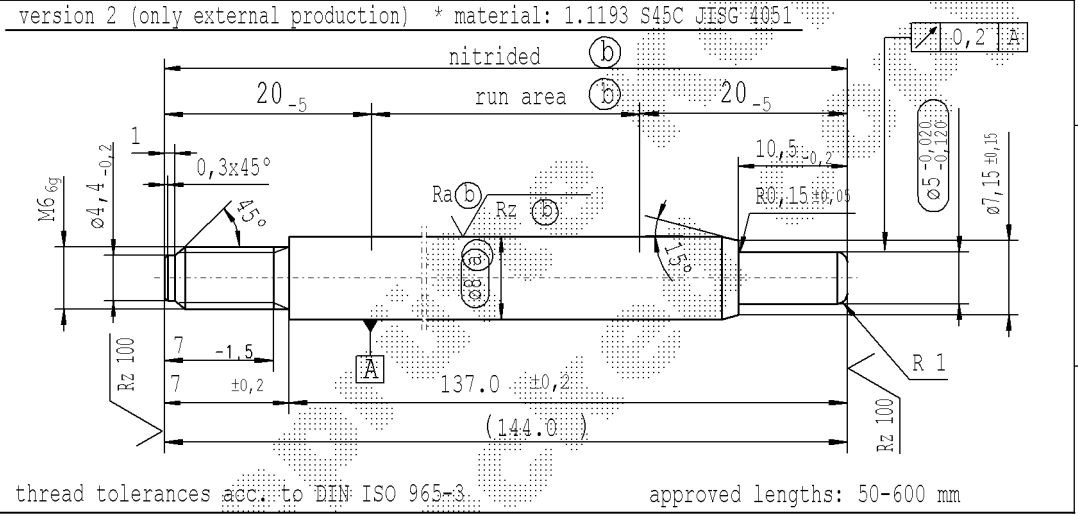
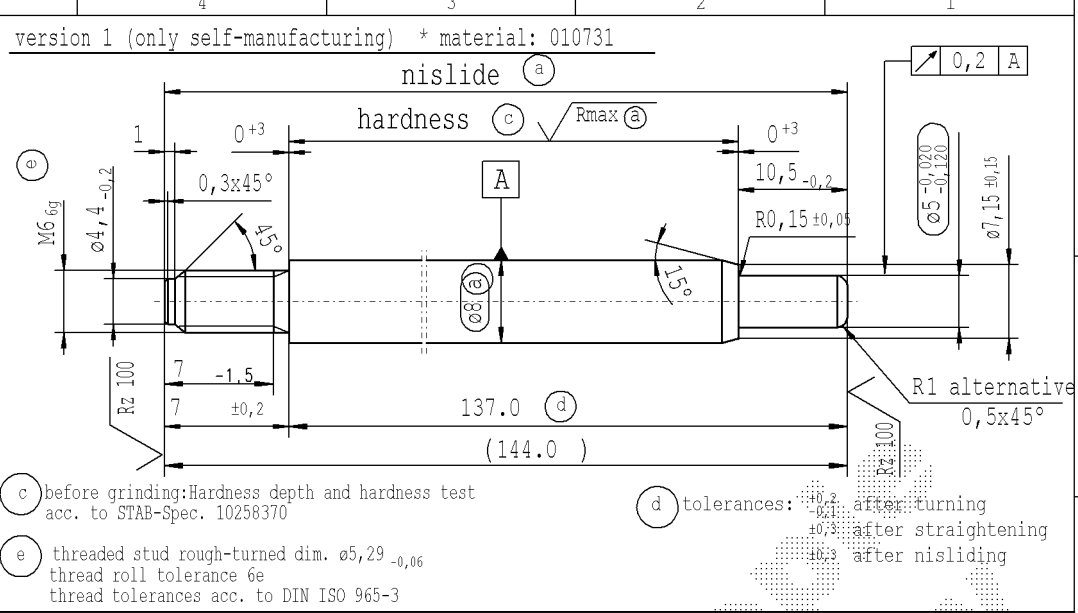
The print-out is not subject to the modification service.

Intended for internal and supplier use

EN

Ident. Doc.:

F	supp No.	material no.				A	B	E
		processing and surface treatment acc. to STAB-Spec.						
		10006248 Tab. IV	10006248 Tab. X	10006248 Tab. XVI	10028959 Tab. I			
(a)	(a)	(a)	(b)	overall length	thread length	length without end-fitting stud		
		version 1	version 1	version 1	version 2			
2		006834			006834	108.0	7	101.0
3	014584	014584			014584	317.5	7	310.5
4	562855	562855			562855	138.0	7	131.0
5	521987	521987			521987	150.0	7	143.0
6	709841	709841			709841	165.0	7	158.0
E	7	357078	357078		357078	93.0	7	86.0
8	585087	585087			585087	123.0	7	116.0
9	528206	528206			528206	207.0	7	200.0
10	641015	641015			641015	102.0	7	95.0
11	353740	353740			353740	180.0	7	173.0
12	782506	782506			782506	129.0	7	122.0
13	791588	791588			791588	111.0	7	104.0
D	14	798280	798280		798280	174.0	7	167.0
15	999279	999279			999279	222.0	7	215.0
16	041129	041129			041129	225.0	7	218.0
17	933794	933794			933794	210.0	7	203.0
18	035872	035872			035872	135.0	7	128.0
19	107333	107333			107333	231.0	7	224.0
20	348725	348725			348725	126.0	7	119.0
21	353505	353505			353505	114.0	7	107.0
22	438590	438590			438590	300.0	7	293.0
23	449345	449345			449345	501.0	7	494.0
24	364739	364739			364739	219.0	7	212.0
25	372626	372626			372626	144.0	7	137.0
26	375494	375494			375494	273.0	7	266.0
B	27	208912	208912		208912	213.0	7	206.0
28	218711	218711			218711	186.0	7	179.0
29	219906	219906			219906	249.0	7	242.0
30	733994	733994			733994	363.0	7	356.0



AIAG CQI-standards acc. to STAB-Spec. 10027692				Environmental protection acc. to STAB-Spec. 10005649			
DE: X	EN: X	ES:	IT:	PR:	FR:	RO: X	
CAD created document handwritten changes not permitted				Material: *			
new	approved lengths: 90-600 mm	⊙ = acc. STAB-Spec. 10258370		new format Internal/Supplier	Tab. XVI added, no technical change		
old	approved lengths: 90-400 mm	⊙ = RHT 0,4 0,7 mm		Supplier drawing separately	no new first sample required		
Field	D/4-5		B 4-5				
Date/Name	24.11.2015 Hein		15.05.2019 Donat		14.07.2020 Höfer		20.04.2021 Donat
Chg. No.	630576		678703		690118		697342
Rev.	6		7		8		8
STABILUS				PISTON ROD			
All dimensions are in mm				Marking of special characteristics according to STAB-Spec. 10270932			
Scale: (Original DIN A3) 2:1				Dimensions without tolerances DIN ISO 2768-mK			
We reserve all rights to this document, to any patents or patent registrations related hereto, and to the duplication, retransmission by third parties and misc. use. Any use of this document is not permitted without the written consent of STABILUS.				Document No.: 10151863			
				Material No.:			