

The print-out is not subject to the modification service.

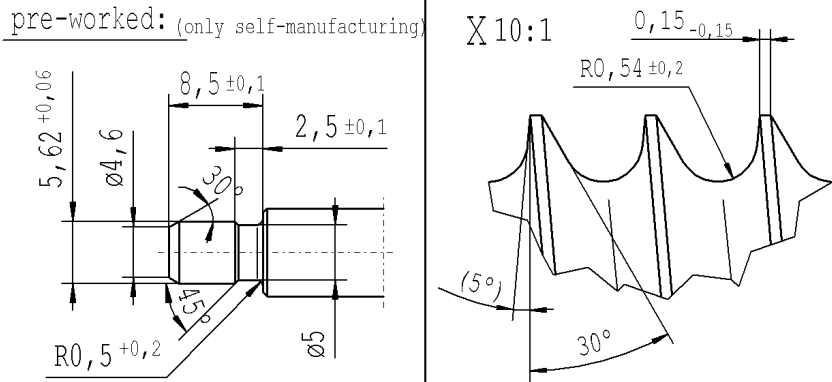
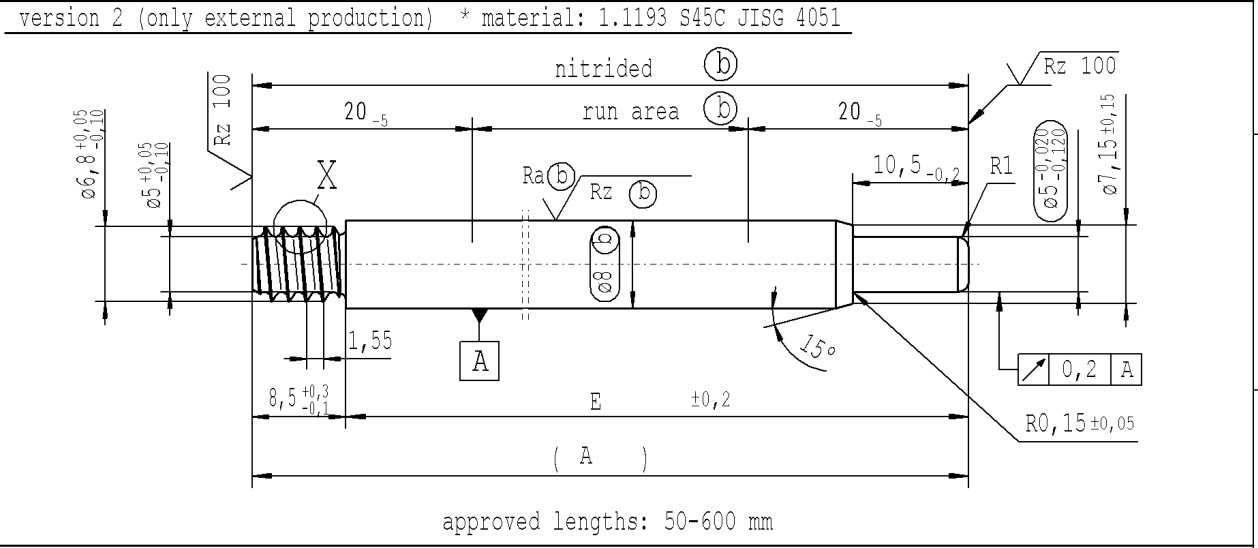
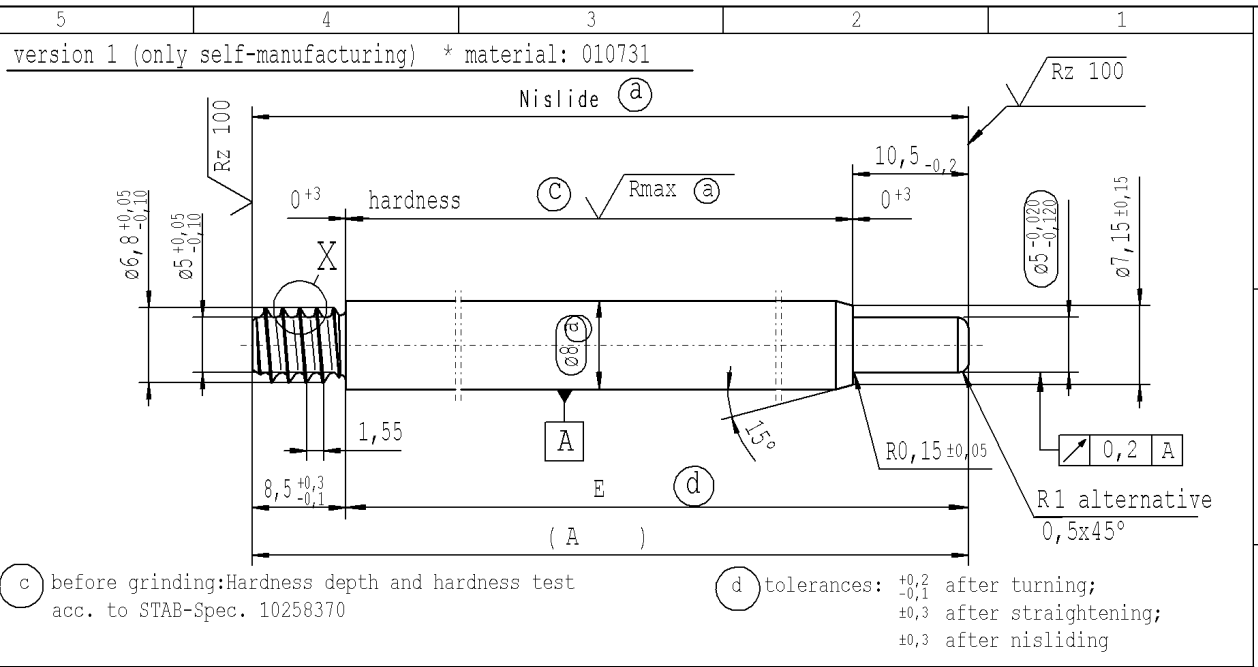
Intended for internal and supplier use

EN

Brevé: 14.09.2021 - 12:18

Ident. Doc.:

supp No.	material no.			A	E
	10006248 Tab. XVI optimized version 1	10006248 Tab. X version 1	10028959 Tab. I version 2	overall length	length without endfitting stud
20	005697	005697	005697	150.0	141.5
21	005706	005706	005706	175.5	167.0
22	005708	005708	005708	166.0	157.5
23	005721	005721	005721	146.0	137.5
24		005727	005727	210.0	201.5
25		005748	005748	375.0	366.5
27	005768	005768	005768	205.5	197.0
28	005787	005787	005787	267.5	259.0
29	005792	005792	005792	246.0	237.5
30		005796	005796	231.0	222.5
31		005802	005802	376.0	367.5
32	005827	005827	005827	294.0	285.5
33	005898	005898	005898	242.0	233.5
34	006344	006344	006344	158.0	149.5
36	007009	007009	007009	191.0	182.5
38	006437	006437	006437	330.0	321.5
40		006449	006449	147.0	138.5
41	006528	006528	006528	264.0	255.5
42		006540	006540	237.0	228.5



$\sqrt{Rz 25}$ ($\sqrt{Rz 100}$ \sqrt{Rmax} (a) Ra (b) Rz (b)) ± 0.2 -0.2

sheet 2 of 15

AIAG CQI-standards acc. to STAB-Spec. 10027692				Environmental protection acc. to STAB-Spec. 10005649			
DE: X	EN: X	ES:	IT:	PR: X	FR:	RO: X	
CAD created document; handwritten changes not permitted				Material: *			
new (5°); no technical change, no new first sample required				All dimensions are in mm			
old 5°				Marking of special characteristics according to STAB-Spec. 10270932			
Field B/6-7				Scale: (Original DIN A3) 2:1			
Date/Name 31.03.2021 Hein				We reserve all rights to this document, to any patents or patent registrations related hereto, and to the duplication, retransmission by third parties and misc. use. Any use of this document is not permitted without the written consent of STABILUS.			
Chg. No. 696924				Document No.: 10151065			
Rev. 21				Material No.:			
				STABILUS			
				PISTON ROD			